

FALCON LIFTS A/S

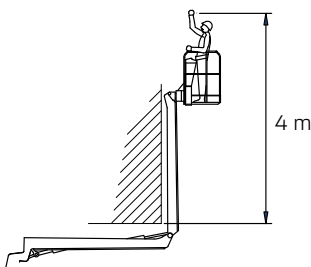
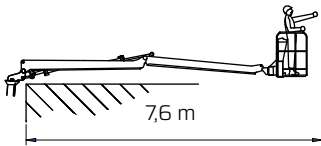
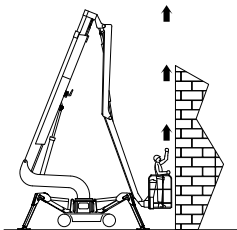
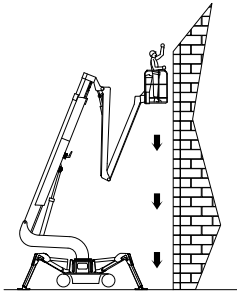
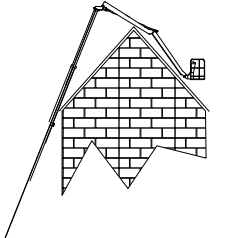
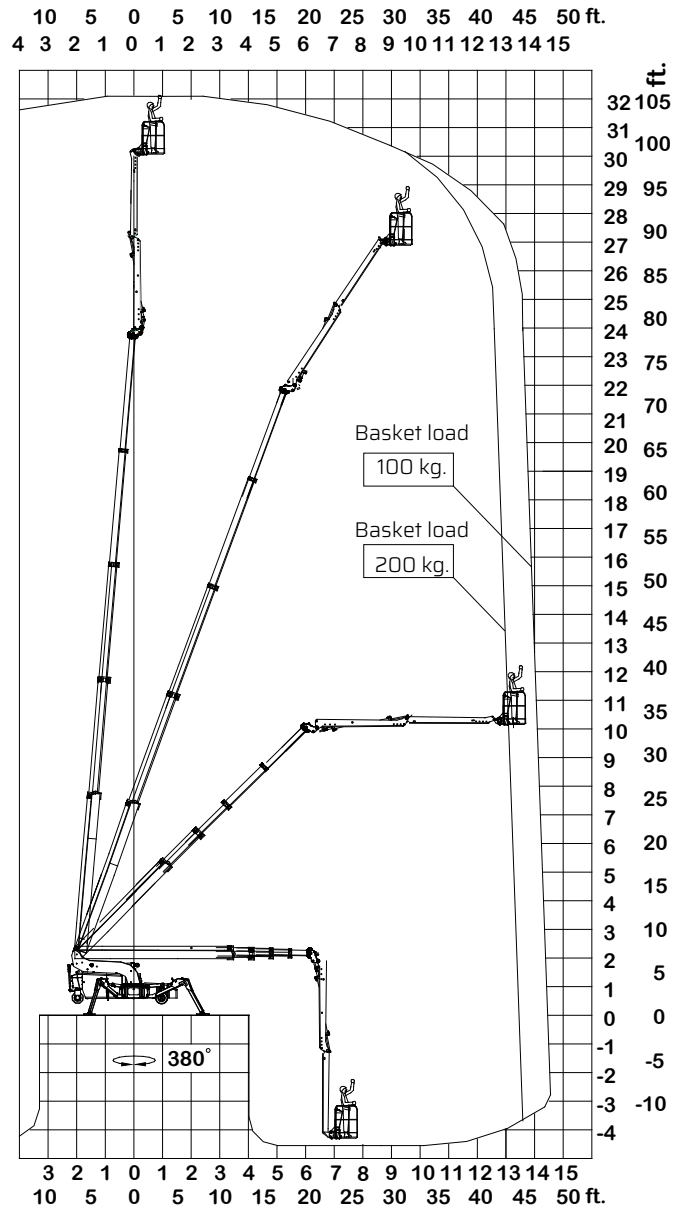
Tolderlundsvej 106  
DK-5000 Odense C  
Tel: +45 66 13 11 00

falconlifts.com

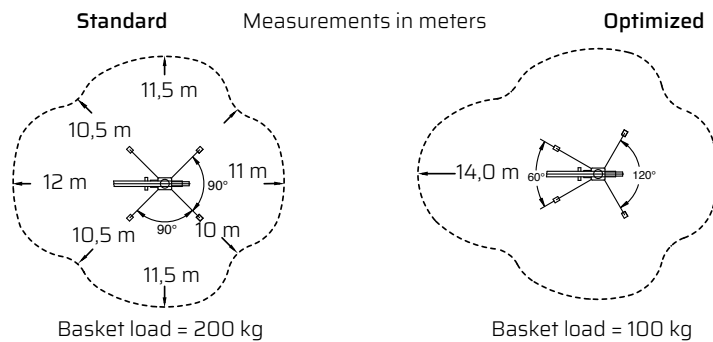


# FALCON FS 320

## Reach diagram - Optimized position



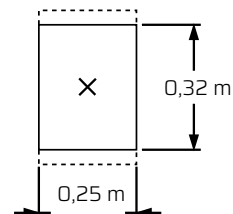
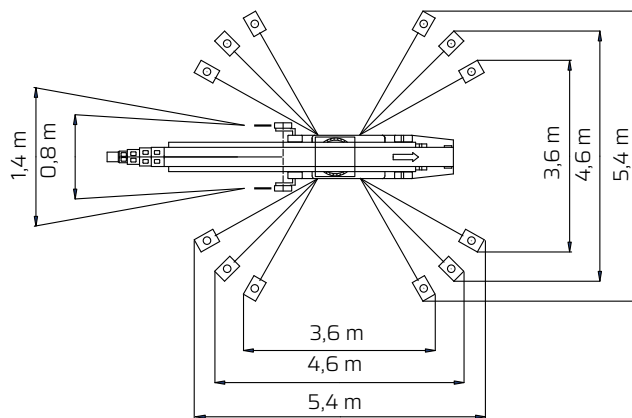
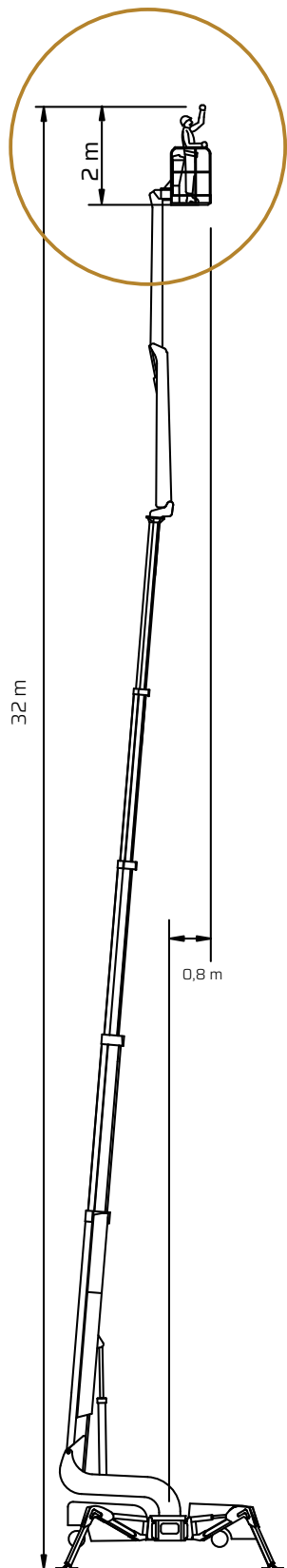
## Reach with outriggers in different positions



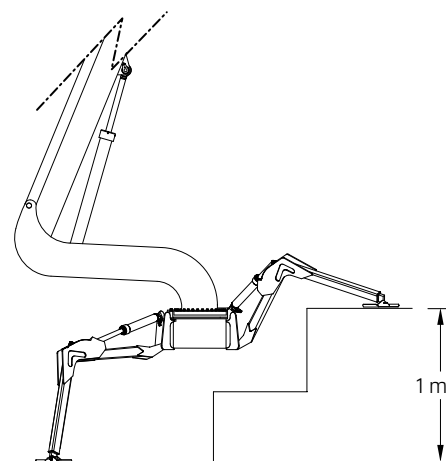
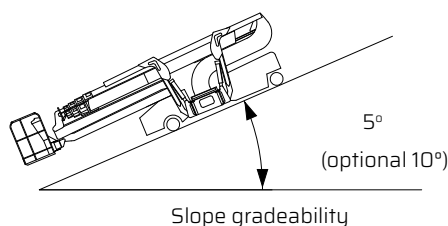
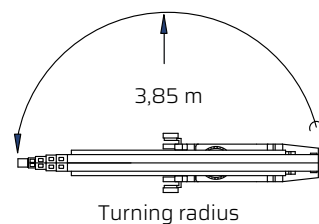
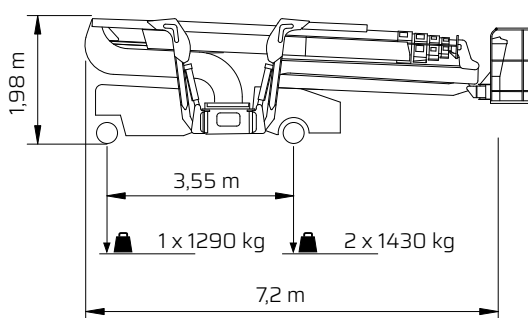
All measurements are intended as guide. Choise of equipment may change the mentioned measurements

# FALCON FS 320

## Outer measurements



Outrigger plate area  
= 800 cm<sup>2</sup>



## Additional info:

### Weight and ground pressure:

Weight with standard equipment	4150	kg.
Max. ground pressure under 1 wheel	8,0	kg/cm <sup>2</sup>
Max. ground pressure under 1 outrigger plate	2,9	kg/cm <sup>2</sup>
Front wheel area (depending on wheel type)	1 x 170	cm <sup>2</sup>
Rear wheel area (depending on wheel type)	2 x 179	cm <sup>2</sup>