

FALCON LIFTS A/S

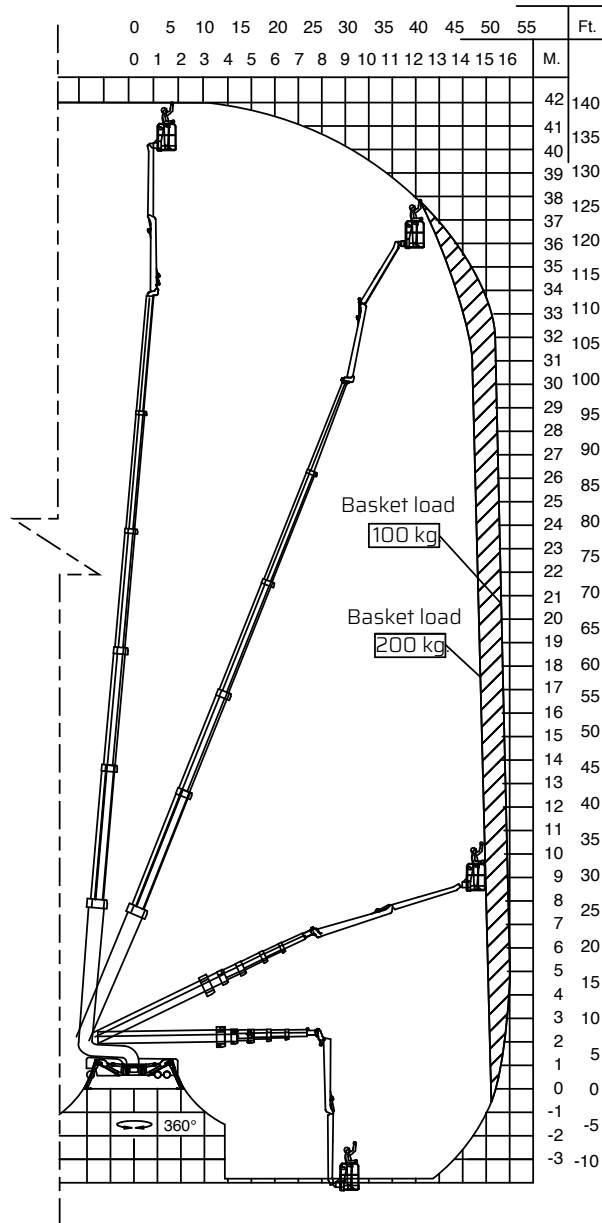
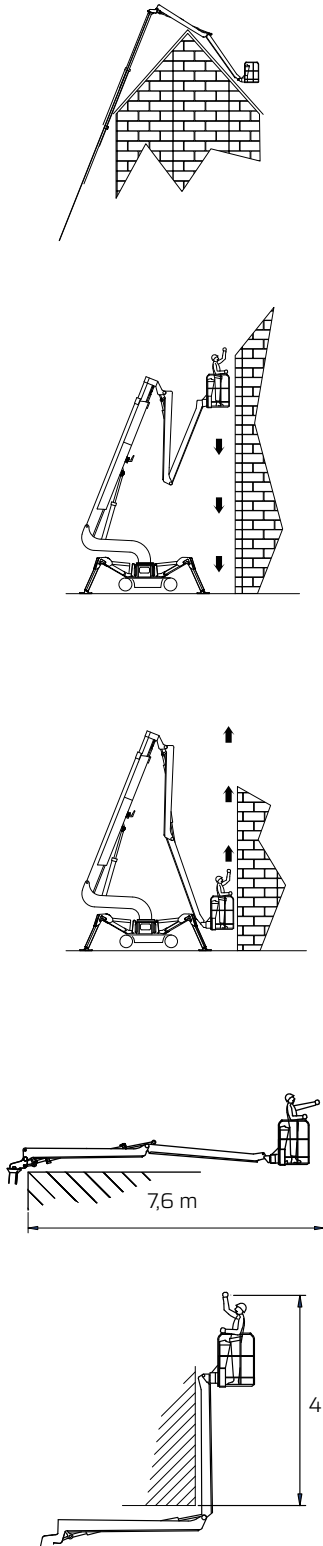
Tolderlundsvej 106  
DK-5000 Odense C  
Tel: +45 66 13 11 00

falconlifts.com

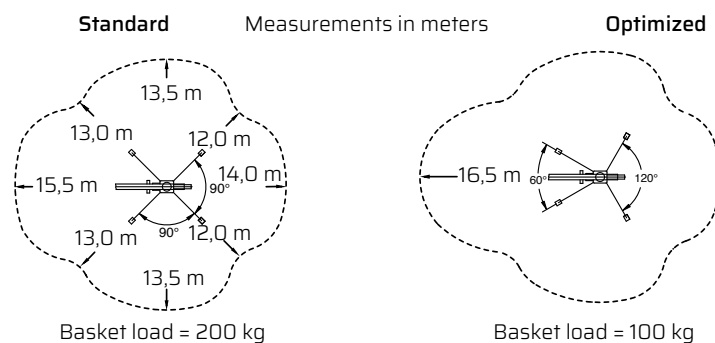


# FALCON FS 420

## Reach diagram - Optimized position



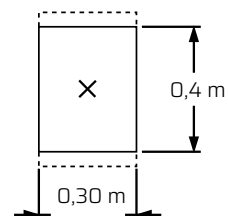
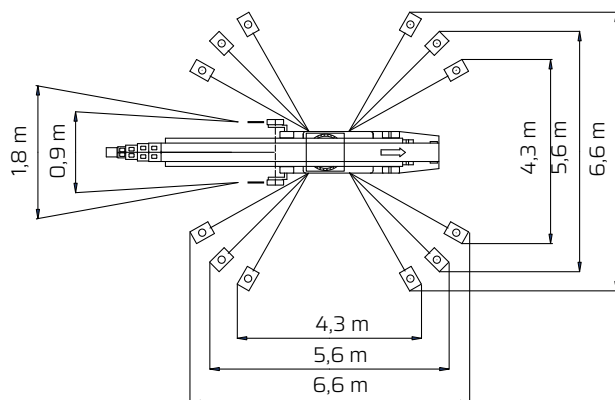
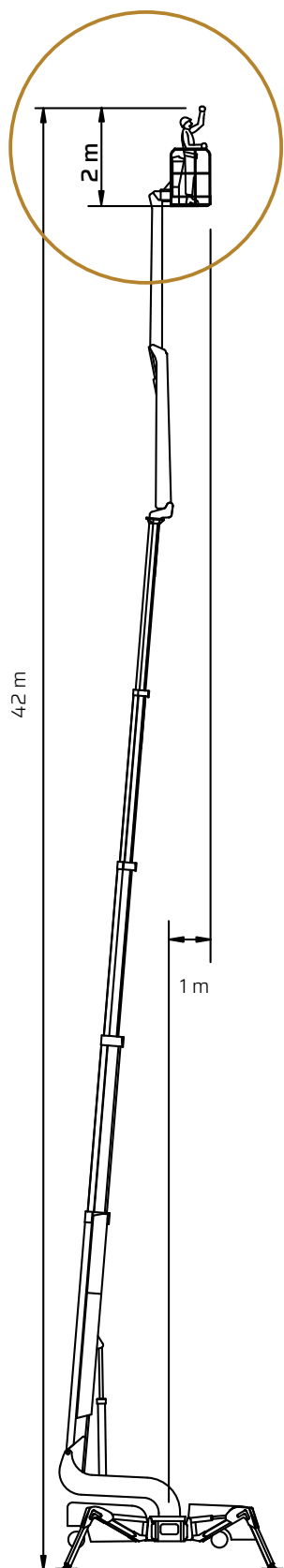
## Reach with outriggers in different positions



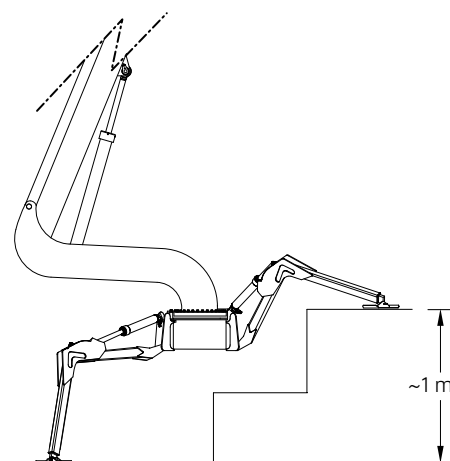
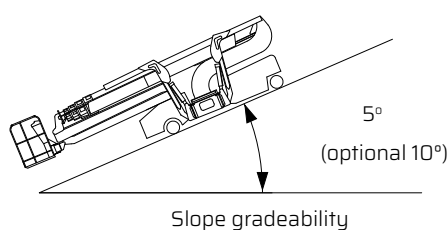
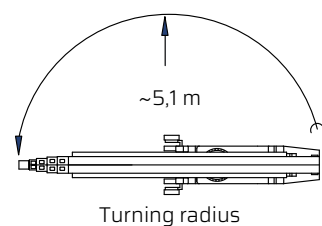
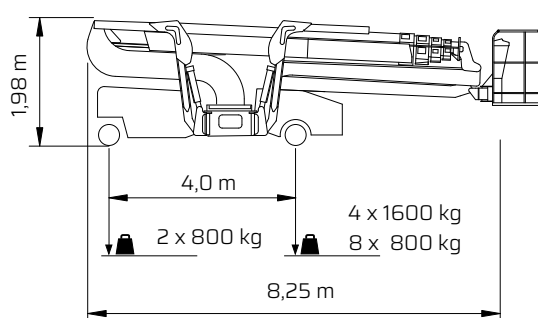
All measurements are intended as guide. Choise of equipment may change the mentioned measurements

# FALCON FS 420

## Outer measurements



Outrigger plate area  
= 1200 cm<sup>2</sup>



## Additional info:

### Weight and ground pressure:

Weight with standard equipment	8000	kg.
Max. ground pressure under 1 wheel (with 4 rear wheel)	6,8	kg/cm <sup>2</sup>
Max. ground pressure under 1 wheel (with 8 rear wheel)	3,7	kg/cm <sup>2</sup>
Max. ground pressure under 1 outrigger plate	3,0	kg/cm <sup>2</sup>
Front wheel area (depending on wheel type)	2 x ~ 216	cm <sup>2</sup>
Rear wheel area (depending on wheel type)	4 x ~ 234	cm <sup>2</sup>