

# Enigma 425

The fixture emits glare-free, soft, comfortable downward light. The shade design ensures even illumination of the surface. The matte upper surface diffuses the light, while the shiny lower surface ensures optimal reflection.



## Shoichi Uchiyama

Shoichi Uchiyama was born and bred in Tokyo. Since the foundation of Shoichi Uchiyama Design Office in 1977, he has been committed to creation of lighting fixtures with glare-free indirect light that make objects beautiful, and allow people to feel the texture and depth of objects.



RealDania



VP

# Product info

**Finish**

Brushed aluminum, clear coated or black wet painted. Shades: White or black acrylic.

**Materials**

Cone and pendant tube: Lacquered or wet painted brushed aluminum. Wire: Stainless steel. Shades: Acrylic.

**Mounting**

Canopy: White. Cord type: 3-conductor, 18 AWG white PVC power cord. Cord length: 12'.

**Sizes and weight**

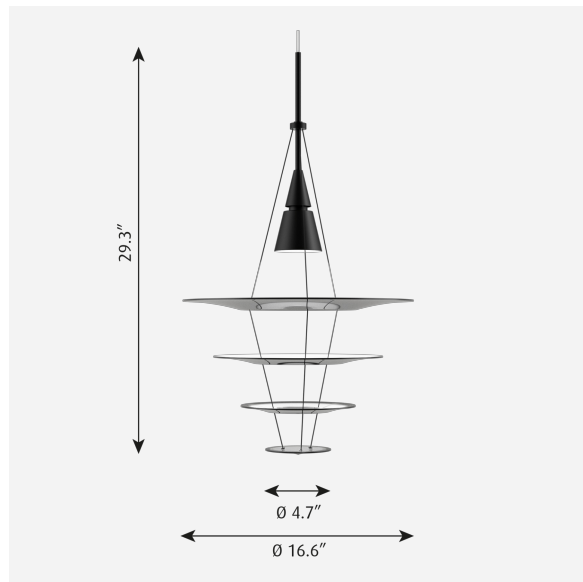
Width x Height x Length (in.) | 16.6 x 29.3 x 16.6 Max 0.0 lbs

**Compliance**

cULus, Dry location.

**Light source**

8W LED/3000K



# Product family



Enigma 825

Enigma 545

# Product variants

Light source	Voltage frequency	Color	Cable type
8W LED/3000K	120V	● Blk	BLK
		● Br alu	WHT

--	--	--	--

# Design

Shoichi Uchiyama

# Weight

Min: 0 lbs Max: 0 lbs

# Finish

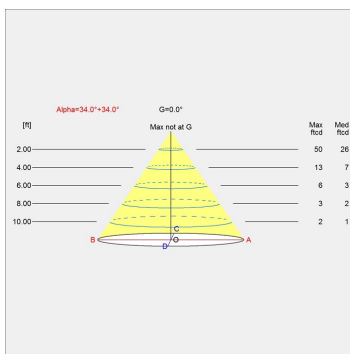
Blk, Br alu

# Voltage

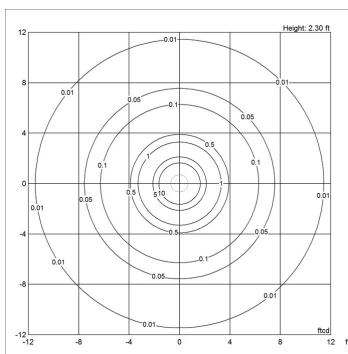
120V

# Light distribution diagrams

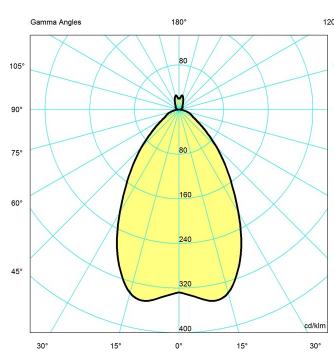
Cartesian



Isolux



Polar



Bug

