

FALCON LIFTS A/S

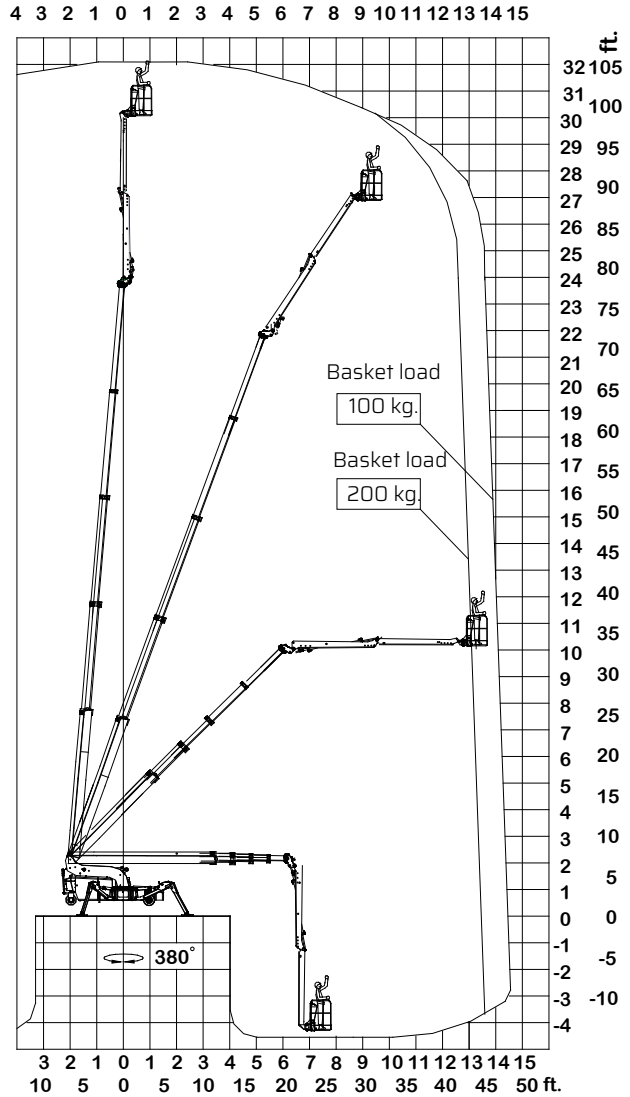
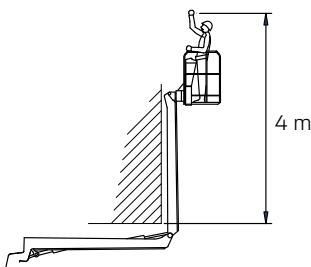
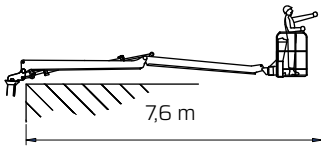
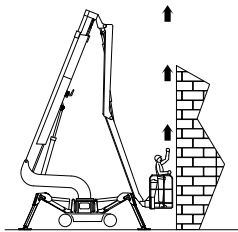
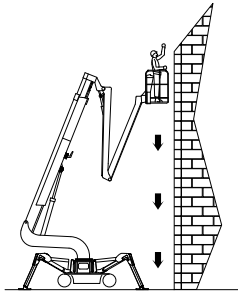
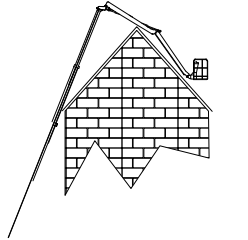
Tolderlundsvej 106
DK-5000 Odense C
Tel: +45 66 13 11 00

falconlifts.com

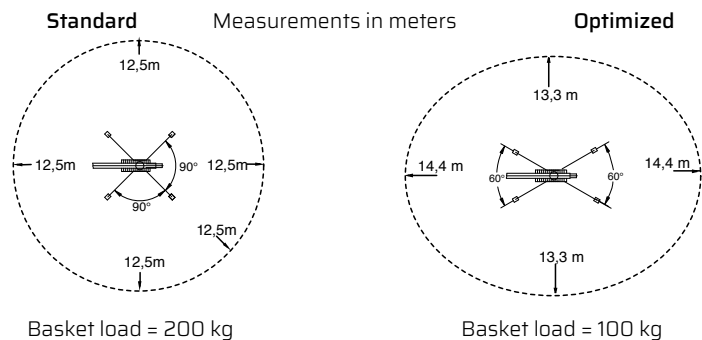


FALCON FS 320C *Vario*

Reach diagram - Optimized position

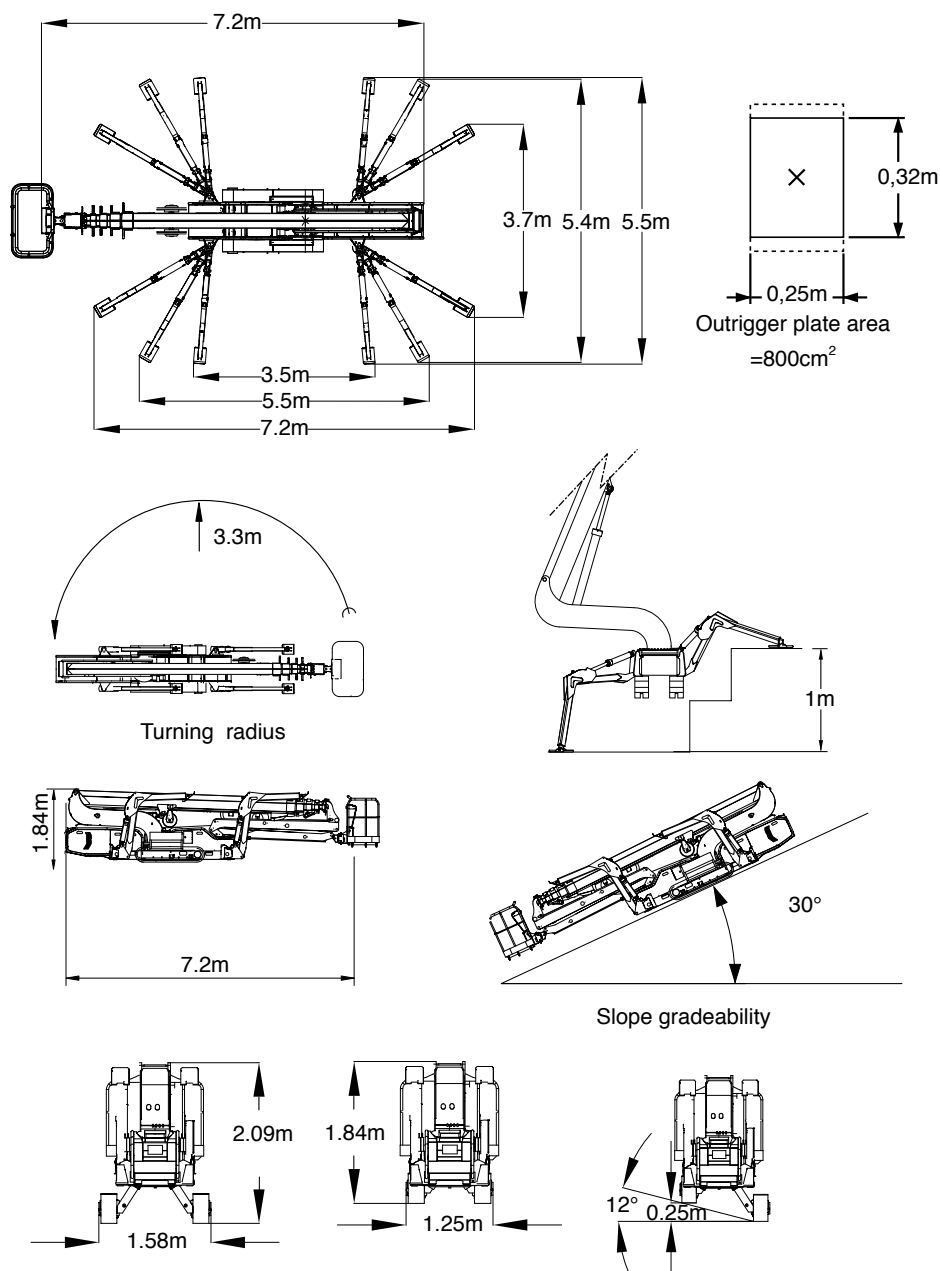
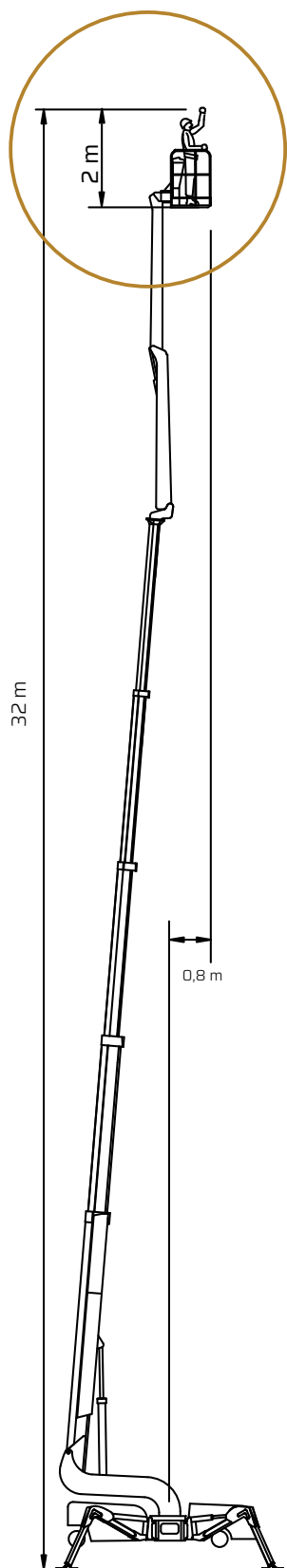


Reach with outriggers in different positions



All measurements are intended as guide. Choise of equipment may change the mentioned measurements

Outer measurements



Additional info:

Weight and ground pressure:

Weight with standard equipment	5550	kg.
Surface pressure under crawlers (soft surface)	0,80	kg/cm ²
Surface pressure under crawlers (hard surface)	1,60	kg/cm ²
Max. ground pressure under 1 outrigger plate	3,75	kg/cm ²