



# Acoustical Surfaces, Inc.

**SOUNDPROOFING, ACOUSTICS, NOISE & VIBRATION CONTROL SPECIALISTS**

123 Columbia Court North • Suite 201 • Chaska, MN 55318

(952) 448-5300 • Fax (952) 448-2613 • (800) 448-0121

Email: [sales@acousticalsurfaces.com](mailto:sales@acousticalsurfaces.com)

Visit our Website: [www.acousticalsurfaces.com](http://www.acousticalsurfaces.com)

---

---

**We Identify and S.T.O.P. Your Noise Problem**

## **STUDIO 3D™ SOUNDPROOF INTERIOR & EXTERIOR DOORS**

ASI is proud to offer the markets first affordable soundproof interior door. Our sound control doors have an STC value up to 56. The Studio 3D soundproof doors are ideal for recording studios, offices, band rooms, hotels, dorm rooms, conference rooms or any application where a soundproof interior door is required. The doors come standard in oak, ready to stain with silver hardware. Custom finishes and hardware options are available.

- Low cost high performance
- STC ratings up to 56
- Products tested per ASTM E-90
- Custom manufactured to any size specification
- Appx. 300 pound door assembly
- 2¾" 13 layer door assembly
- Comes pre-hung and assembled
- Adjustable jams and seals
- Ready to stain/paint to match your decor
- Best performance wood/metal finished door assembly available
- Automatic sill
- Heavy duty hinges (4)
- 3-point handle latching system



*Continued on next page...*



# Acoustical Surfaces, Inc.

**SOUNDPROOFING, ACOUSTICS, NOISE & VIBRATION CONTROL SPECIALISTS**

123 Columbia Court North • Suite 201 • Chaska, MN 55318

(952) 448-5300 • Fax (952) 448-2613 • (800) 448-0121

Email: [sales@acousticalsurfaces.com](mailto:sales@acousticalsurfaces.com)

Visit our Website: [www.acousticalsurfaces.com](http://www.acousticalsurfaces.com)

---

---

## We Identify and **S.T.O.P.** Your Noise Problem

### DOOR AND FRAME FEATURES:

**STC Ratings:** Acoustical doors are available with ratings up to STC 56.

**Testing:** Door products are tested in accordance with the most recent ASTM E-90 standards at accredited Acoustical Laboratories.

**Frame Configuration:** In addition to our standard frame designs, we can engineer special frame profiles to complement wall construction and architectural style.

**Services:** ASI will provide the necessary shop drawings, certification of test results and assistance with compliance for all industry standards.

**Guarantee:** Studio 3D doors are guaranteed to be free of defects in workmanship and quality for a period of two years.

### DOOR SPECIFIC FEATURES:

**Configuration:** Doors are available in a flush design or with vision elites and as single or pairs of hinged doors.

**Sizes:** Select from standard or custom sizes. We also offer double door pairs as large as 8' w x 12' h.

**Hardware:** Door, frame, trim, handle, hinges, perimeter sound seals and door bottom are supplied as part of the tested assembly. Dead bolt mortise locks are also available.

**Finishes:** Oak ready to stain. Optional maple, cherry, birch and any wood species are available. Optional primed metal finish is available for frame and/or door. Primed metal finish is recommended for exterior use.

**Hardware Color:** Satin Chrome standard. 7 additional custom order finishes available.

#### Required Installation Kit Includes:

- 2 Packs of Shims
- 4 Heavy Duty Jamb Screws
- Backer Rod
- 1 Tube Acoustical Sealant

**Lead Time:** Typically 3-4 weeks. Please check with our professional sales associate to verify actual lead time.

### STANDARD HARDWARE



Venice -  
Passage Only



Venice -  
Thumb Turn Deadbolt



Venice -  
Keyed Deadbolt

*Continued on next page...*



# Acoustical Surfaces, Inc.

**SOUNDPROOFING, ACOUSTICS, NOISE & VIBRATION CONTROL SPECIALISTS**

123 Columbia Court North • Suite 201 • Chaska, MN 55318

(952) 448-5300 • Fax (952) 448-2613 • (800) 448-0121

Email: [sales@acousticalsurfaces.com](mailto:sales@acousticalsurfaces.com)

Visit our Website: [www.acousticalsurfaces.com](http://www.acousticalsurfaces.com)

*We Identify and **S.T.O.P.** Your Noise Problem*



2-3/4" Door Thickness



Mortise Drop Seal & Strike Plate



Exposed Jam Kit



Wood Caps over Jam Kit



Window Lite Kit



Double Door

*Continued on next page...*

- Soundproofing Products • Sonex™ Ceiling & Wall Panels • Sound Control Curtains • Equipment Enclosures • Acoustical Baffles & Banners • Solid Wood & Veneer Acoustical Ceiling & Wall Systems
- Professional Audio Acoustics • Vibration & Damping Control • Fire Retardant Acoustics • Hearing Protection • Moisture & Impact Resistant Products • Floor Impact Noise Reduction
- Sound Absorbers • Noise Barriers • Fabric Wrapped Wall Panels • Acoustical Foam (Egg Crate) • Acoustical Sealants & Adhesives • Outdoor Noise Control • Assistive Listening Devices
- OSHA, FDA, ADA Compliance • On-Site Acoustical Analysis • Acoustical Design & Consulting • Large Inventory • Fast Shipment • No Project too Large or Small • Major Credit Cards Accepted



# Acoustical Surfaces, Inc.

**SOUNDPROOFING, ACOUSTICS, NOISE & VIBRATION CONTROL SPECIALISTS**

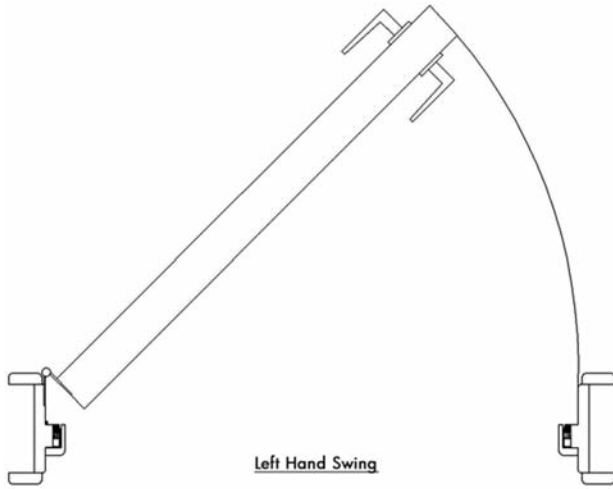
123 Columbia Court North • Suite 201 • Chaska, MN 55318

(952) 448-5300 • Fax (952) 448-2613 • (800) 448-0121

Email: [sales@acousticalsurfaces.com](mailto:sales@acousticalsurfaces.com)

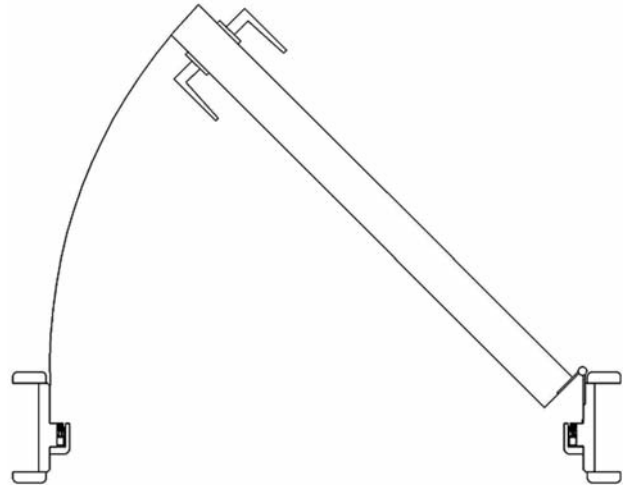
Visit our Website: [www.acousticalsurfaces.com](http://www.acousticalsurfaces.com)

**We Identify and S.T.O.P. Your Noise Problem**

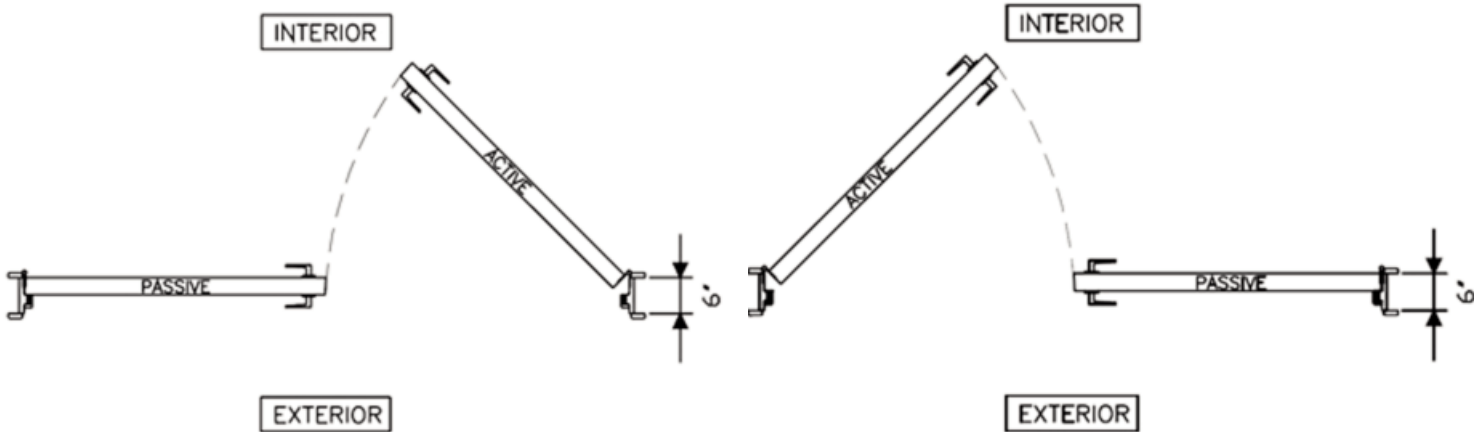


Left Hand Swing

Left Hand Swing



Right Hand Swing



Left Hand Active – Double Door

Right Hand Active – Double Door

- Soundproofing Products • Sonex™ Ceiling & Wall Panels • Sound Control Curtains • Equipment Enclosures • Acoustical Baffles & Banners • Solid Wood & Veneer Acoustical Ceiling & Wall Systems
- Professional Audio Acoustics • Vibration & Damping Control • Fire Retardant Acoustics • Hearing Protection • Moisture & Impact Resistant Products • Floor Impact Noise Reduction
- Sound Absorbers • Noise Barriers • Fabric Wrapped Wall Panels • Acoustical Foam (Egg Crate) • Acoustical Sealants & Adhesives • Outdoor Noise Control • Assistive Listening Devices
- OSHA, FDA, ADA Compliance • On-Site Acoustical Analysis • Acoustical Design & Consulting • Large Inventory • Fast Shipment • No Project too Large or Small • Major Credit Cards Accepted