

// EVENT SYSTEMS

---



# TYPE EV TENSILATION

---

MODULAR EVENT  
CANOPY

---

## FRAME

### COLOUR

— Anthracite matte DB 706

### MECHANIC

— Self-locking cleat and double pulley system

## COVER

MDT-TEX 260 FR

— (Polyester - fire retardant)

More on request

## ANCHORINGS

### INGROUND TUBE

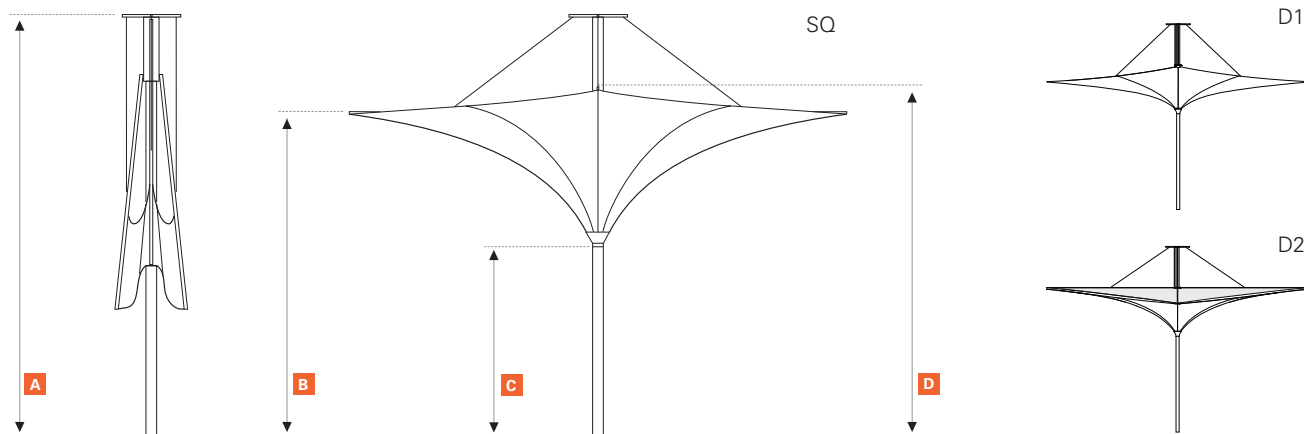
— Type 080 with integrated water pipes

### STEEL GROUND PIN

— Type 080

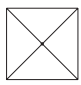


SELF-LEVELING FLOORING SYSTEM

// DIMENSIONS & MEASURES



**DIMENSIONS ARE IN METERS**

\*all measurements are rounded

	SQ	D1	D2
			
	<b>4x4</b>	<b>4x7</b>	<b>4x7</b>
<b>MASS</b>			
Umbrella with packaging (kg)	40	42	42
Umbrella without packaging (kg)	28,8	29,5	29,3
Frame (kg)	21,3	22	21,8
Cover (kg)	3	3	3
Mesh (kg)	4,5	4,5	4,5

**CLOSED UMBRELLA**

<b>A</b> Closed height (cm)	457,6	480	480
-----------------------------	-------	-----	-----

**OPENED UMBRELLA**

<b>A</b> Mast height (cm)	457,6	480	480
<b>C</b> Low spokes height (cm)	330	330	330
<b>D</b> High spokes height (cm)	370	370	370

**PACKAGING DIMENSIONS**

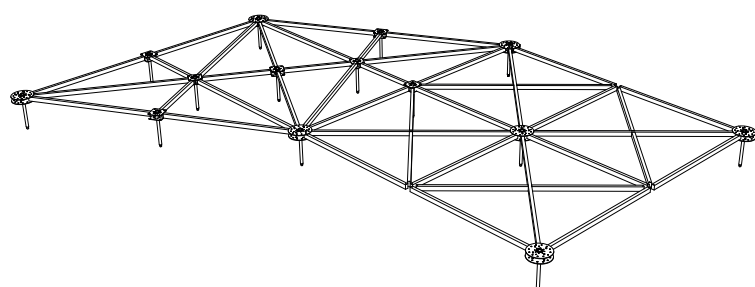
Dimensions of carboard packaging (cm)	40x40x360	40x40x390	40x40x390
Excess length of mast (cm)	100	90	90

**ACCESSORIES**

Flooring system (*1) Article No.			
Inground tube with sleeve adapter (*2) Article No.	Type 080	Type 080	Type 080

all dimensions + weights given are approximate

(\*1)



(\*2)

