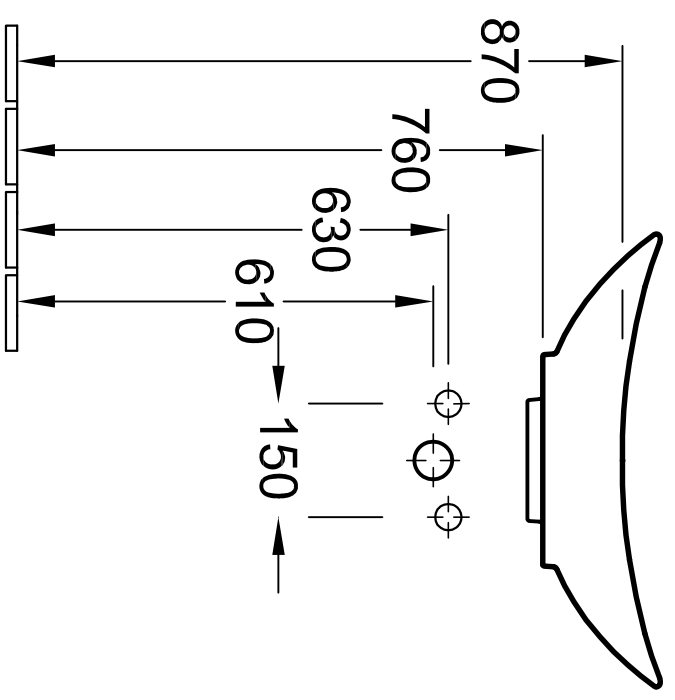
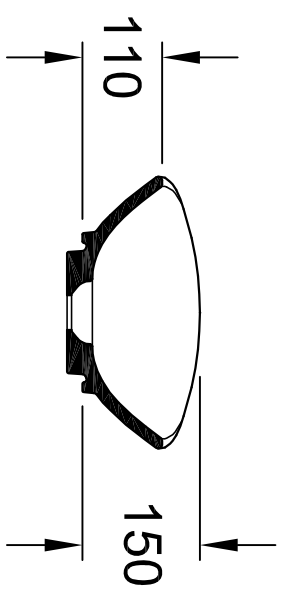
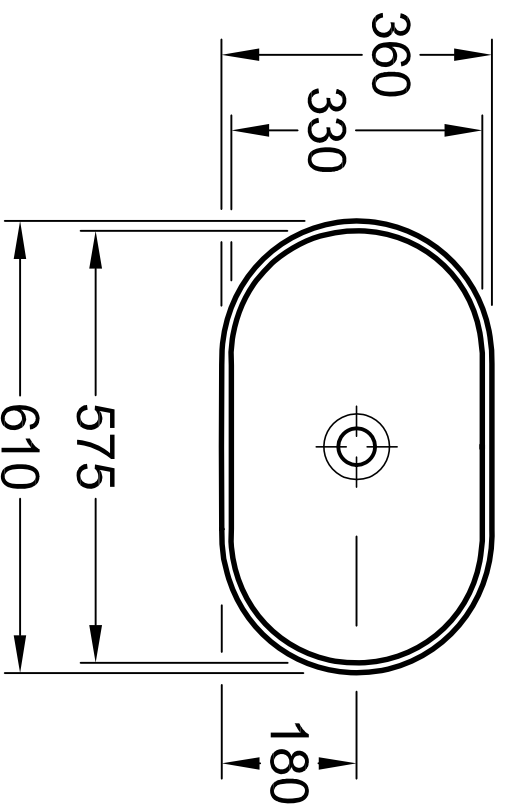


Designation
MY NATURE
 4110 45 - Surface-mounted
 washbasin

Villeroy & Boch

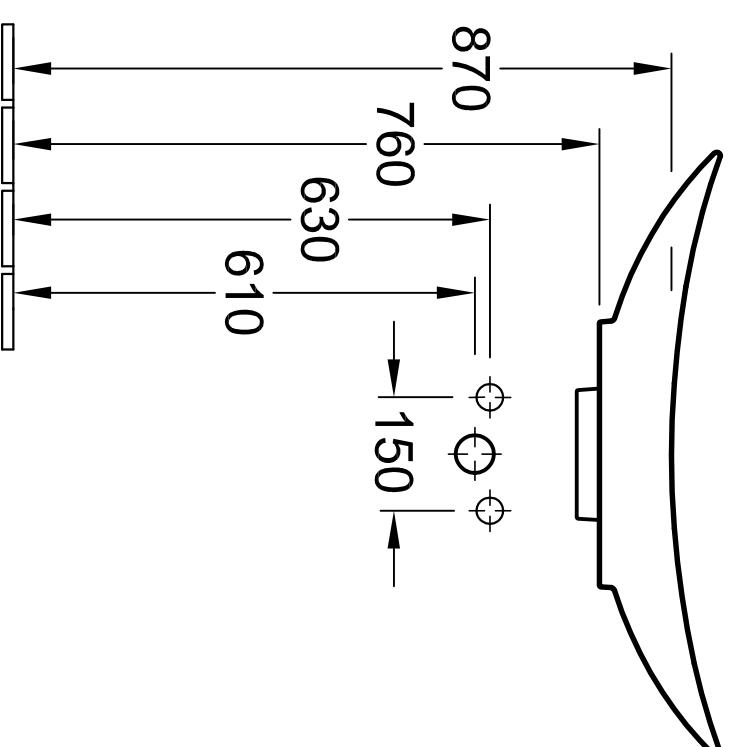
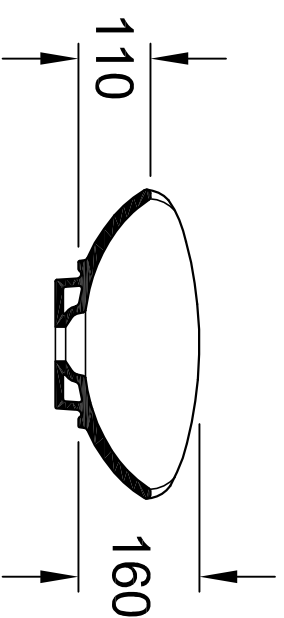
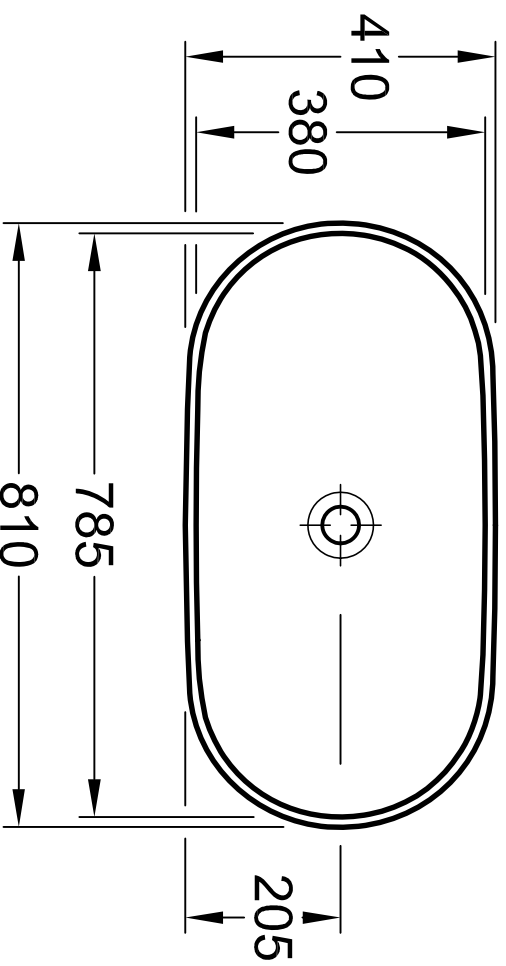
Altered:	Approved by:	RK	This drawing may not be copied or passed on to third parties or competitive companies without our permission. Villeroy & Boch accepts no liability whatsoever for these data and technical drawings. Other parties use them at their own risk. The dimensions indicated are not binding. Villeroy & Boch reserves the right to make product changes.
	Date:	16.11.2010	
	Signed:	SEW	
	Date:	06.2010	



Designation
MY NATURE
 4110 60 - Surface-mounted washbasin

Villeroy & Boch

Altered:	11.03.2011	Approved by:	RK	This drawing may not be copied or passed on to third parties or competitive companies without our permission. Villeroy & Boch accepts no liability whatsoever for these data and technical drawings. Other parties use them at their own risk. The dimensions indicated are not binding. Villeroy & Boch reserves the right to make product changes.
		Date:	16.11.2010	
		Signed:	SEW	
		Date:	06.2010	



Designation
MY NATURE
 4110 80 - Surface-mounted washbasin

Villeroy & Boch

Altered:	Approved by:	RK	This drawing may not be copied or passed on to third parties or competitive companies without our permission. Villeroy & Boch accepts no liability whatsoever for these data and technical drawings. Other parties use them at their own risk. The dimensions indicated are not binding. Villeroy & Boch reserves the right to make product changes.
	Date:	16.02.2011	
	Signed:	SEW	
	Date:	11.2010	