

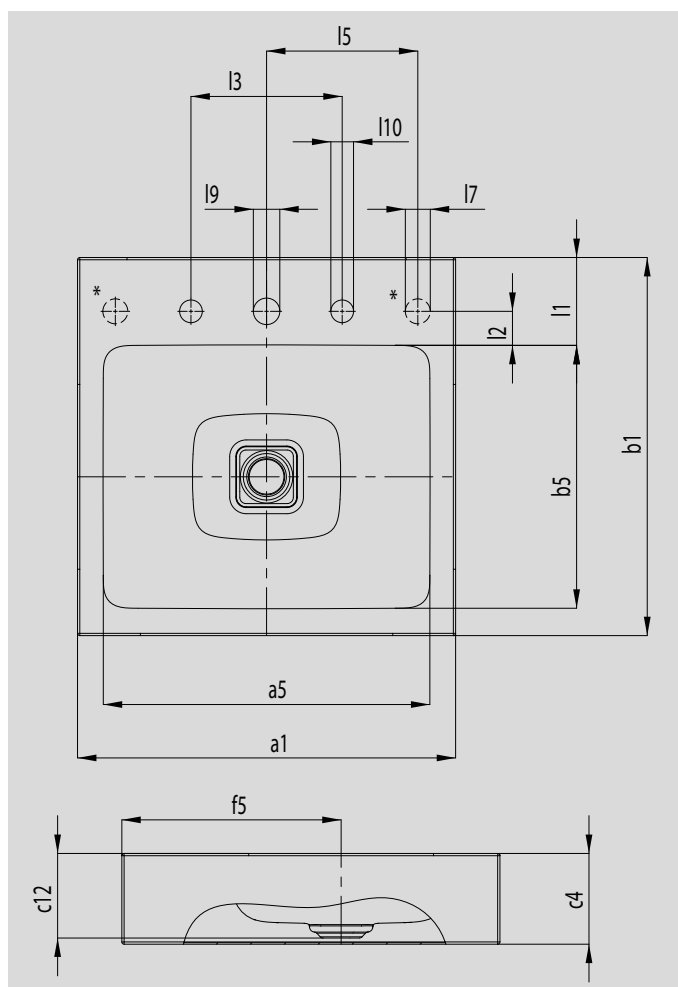
CONO COUNTERTOP WASHBASIN

(HEIGHT OF RIM 120 MM)

- washbasin with premium character exudes elegance and harmony
- optimally integrated enamelled waste accentuates the underlying geometry of the washbasin
- unusually generous rim provides space for fittings or individual accessories
- perfectly complements the CONO range



Similar illustrations



* Control knob holes for CLOU waste and overflow system with cable operated pop-up waste and deck mounted control knob, optionally left or right

Model No.		(NEW)		
		3077	3085	3086
External length	a1	500	600	900 mm
Internal length	a5	431,5	532	832 mm
External width	b1	500	500	500 mm
Internal width	b5	347,5	348	348 mm
Height of rim	c4	120	120	120 mm
Distance basin surface to bottom edge of waste hole	c12	112	112	112 mm
Distance outer edge to centre of waste hole	f5	290	290	290 mm
Depth of tap deck	l1	116,5	116	116 mm
Distance tap holes to edge	l2	45	45	45 mm
Distance of tap holes	l3	200	200	200 mm
Distance of tap hole to centre of control knob hole	l5	200	250	275 mm
Diameter of control knob hole	l7	33	33	33 mm
Diameter of centre tap hole	l9	35	35	35 mm
Diameter of outside tap holes (3 tap holes only)	l10	30	30	30 mm
Weight of the enamelled washbasin in kg		11	15	20

Subject to technical alterations, tolerances and errors. Similar illustrations.

KALDEWEI