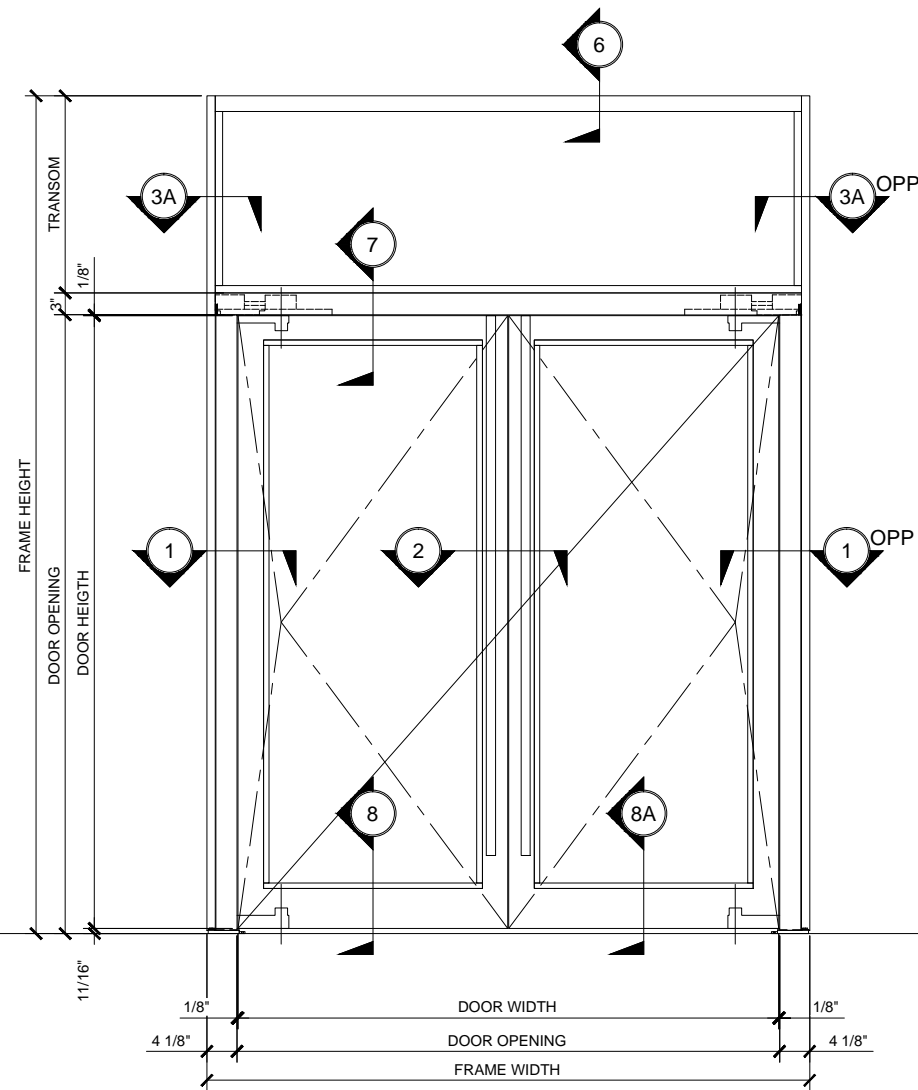
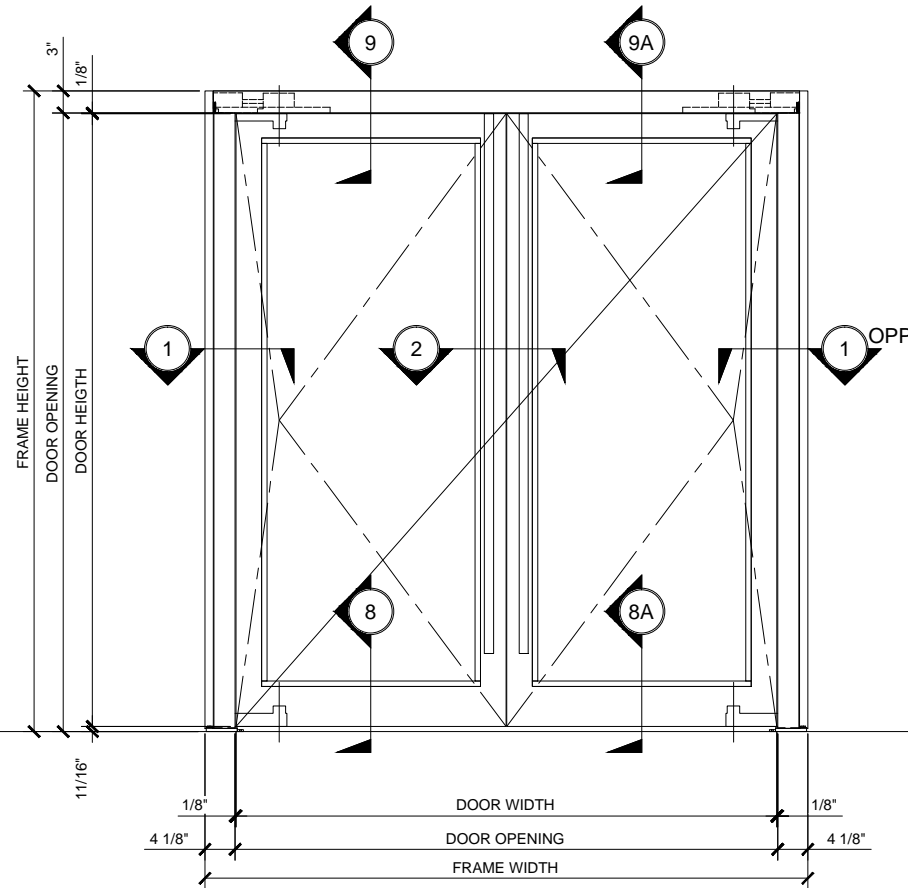


**CRL BALANCER SERIES BALANCED DOOR  
 CLAD U.S. ALUMINUM RAIL & STILE  
 WITH EXPOSED SHAFT**

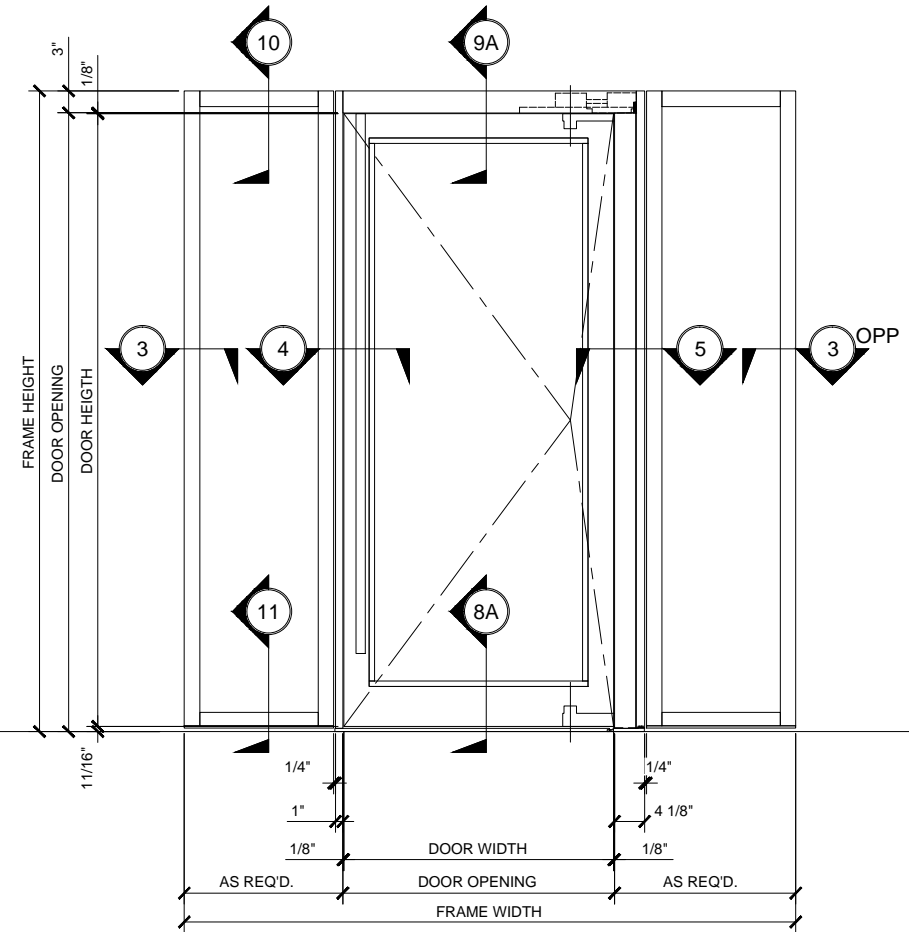
Revisions By:



**CRL BALANCER SERIES BALANCED DOOR  
 CLAD U.S. ALUMINUM RAIL & STILE WITH EXPOSED SHAFT  
 DOOR PAIR WITH TRANSOM ELEVATION**



**CRL BALANCER SERIES BALANCED DOOR  
 CLAD U.S. ALUMINUM RAIL & STILE WITH EXPOSED SHAFT  
 DOOR PAIR ELEVATION**



**CRL BALANCER SERIES BALANCED DOOR  
 CLAD U.S. ALUMINUM RAIL & STILE WITH EXPOSED SHAFT  
 SINGLE DOOR WITH SIDELITES ELEVATION**



**CRL BALANCER SERIES  
 CLAD BALANCED DOOR  
 U.S. ALUMINUM RAIL & STILE**

Discription:

Drawn By: VM  
 Date: 9/5/13  
 Scale: AS NOTED  
 File Name: BALNCR BD - U.S. ALUM RAIL & STILE.dwg

Sheet

Revisions By:



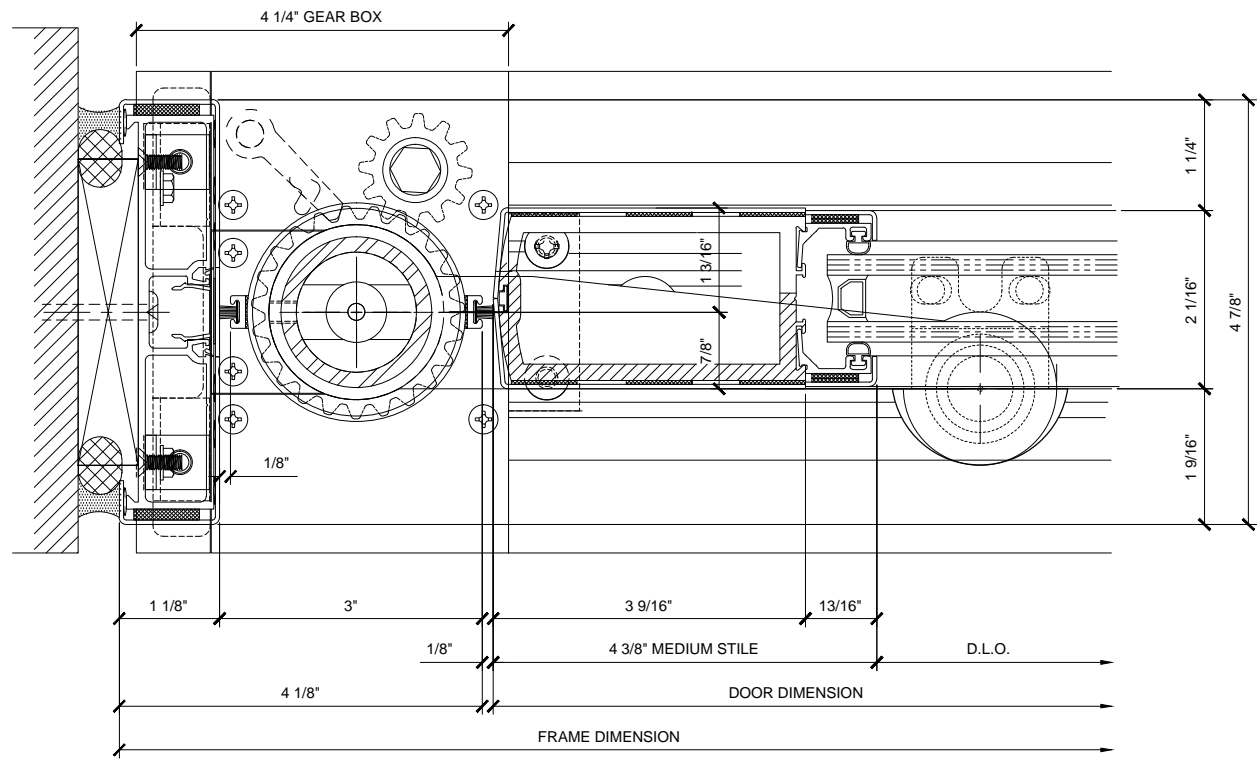
C.R. LAURENCE CO., ARCHITECTURAL PRODUCTS  
2503 E. Yemton Avenue, Los Angeles, CA 90058-1897  
PH: (800) 421-6144 FAX: 800-387-7501 www.crlaurence.com

Discription:  
CRL BALANCER SERIES  
CLAD BALANCED DOOR  
U.S. ALUMINUM RAIL & STILE

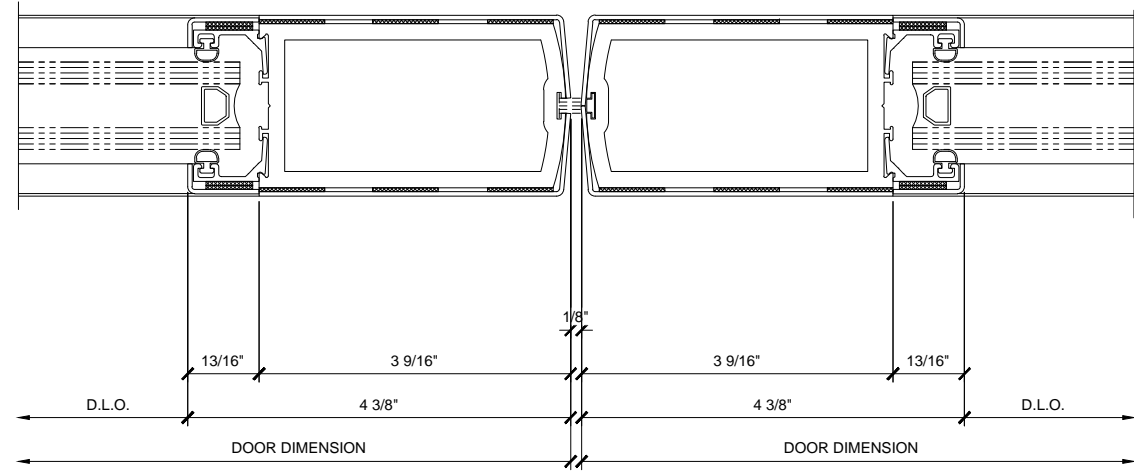
Drawn By: VM  
Date: 9/5/13  
Scale: AS NOTED  
File Name: BALNCR BD - U.S. ALUM RAIL & STILE.dwg

Sheet

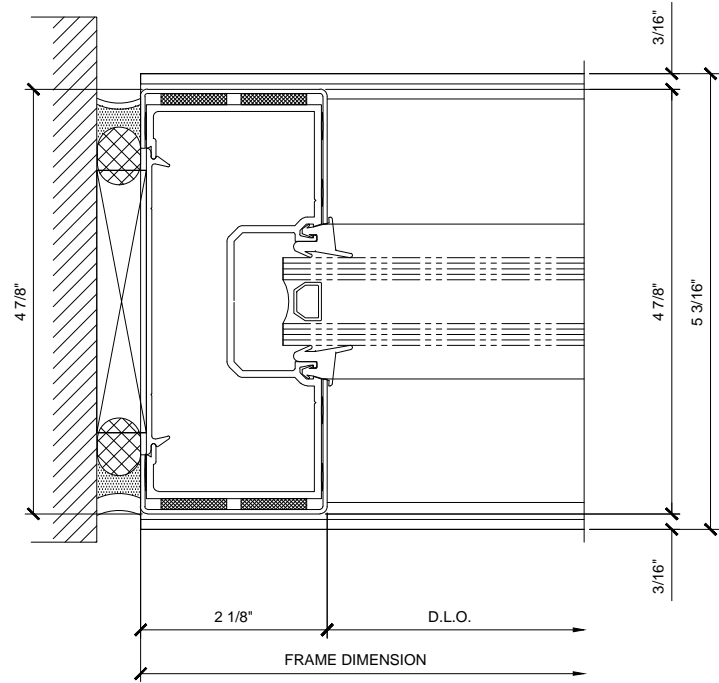
2.2



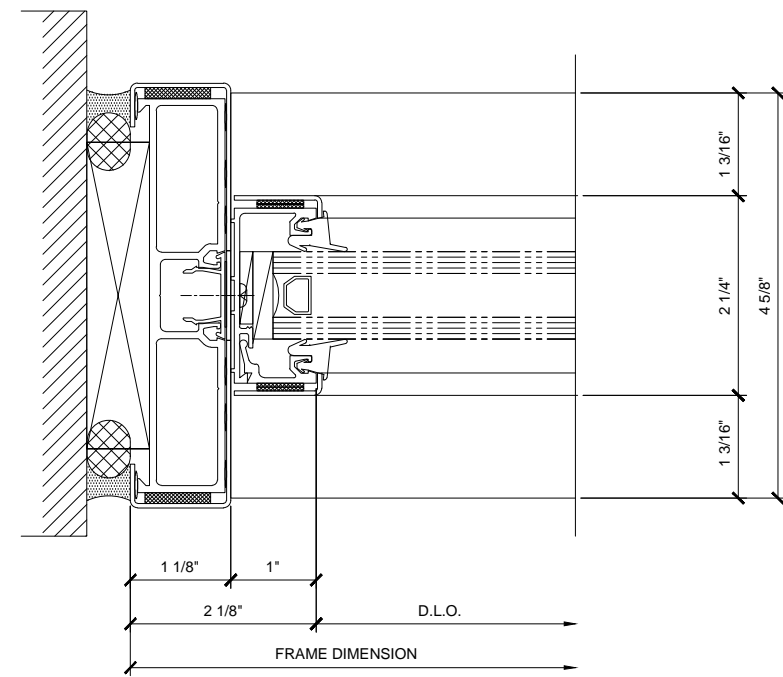
**DOOR PIVOT JAMB DETAIL 1**



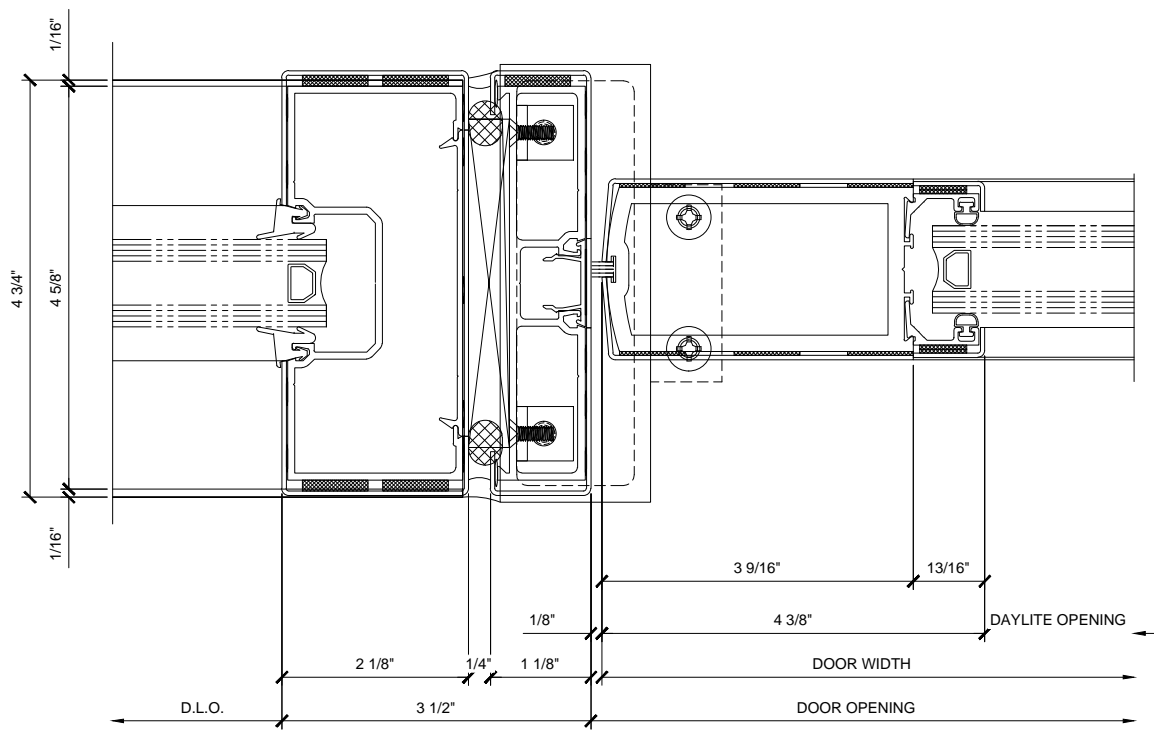
**MEETING STILES DETAIL 2**



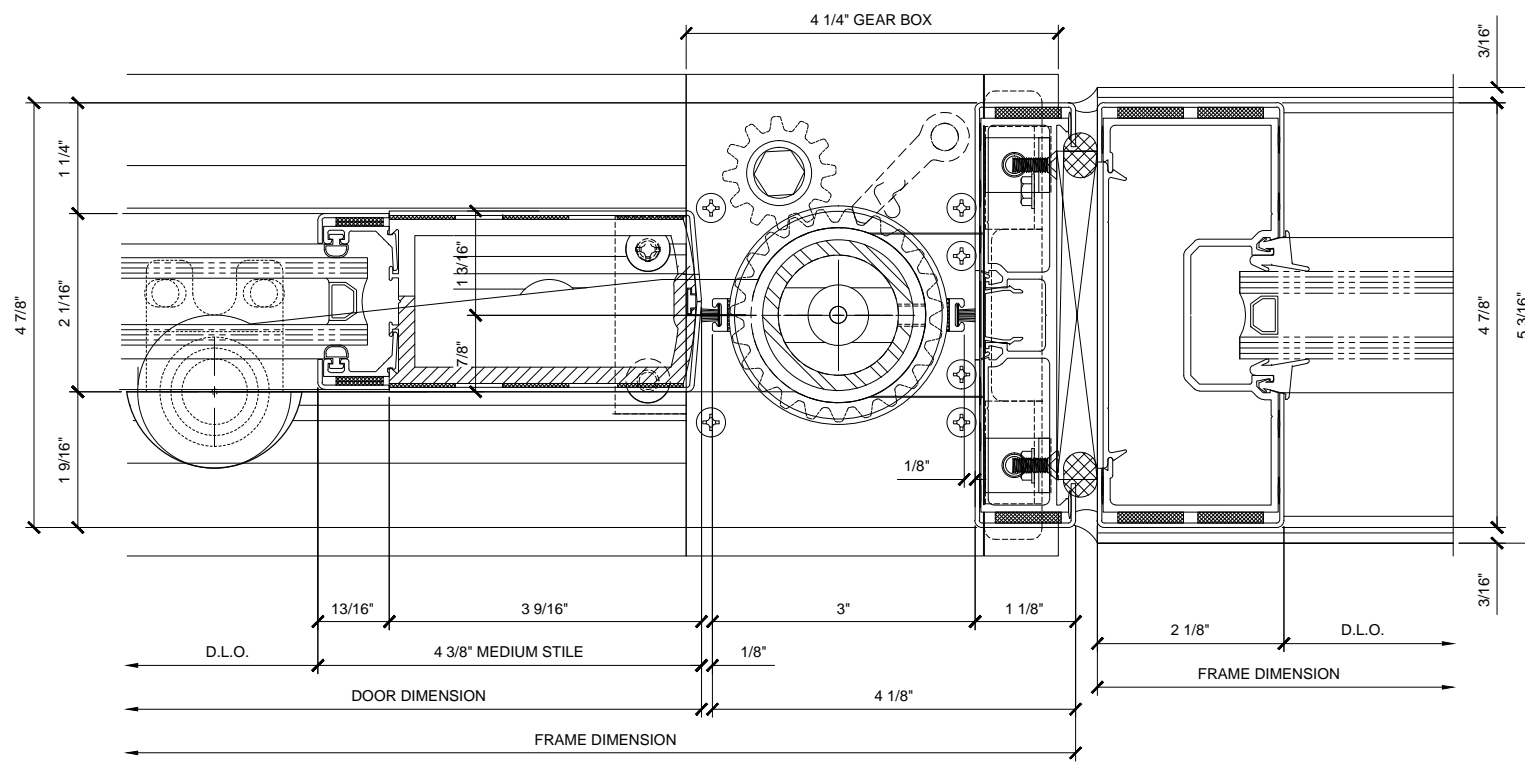
**JAMB DETAIL AT SIDELITE 3**



**JAMB DETAIL AT TRANSOM 3A**



**DOOR STRIKE JAMB AT SIDELITE DETAIL** ④



**DOOR PIVOT JAMB DETAIL** ⑤

Revisions By:

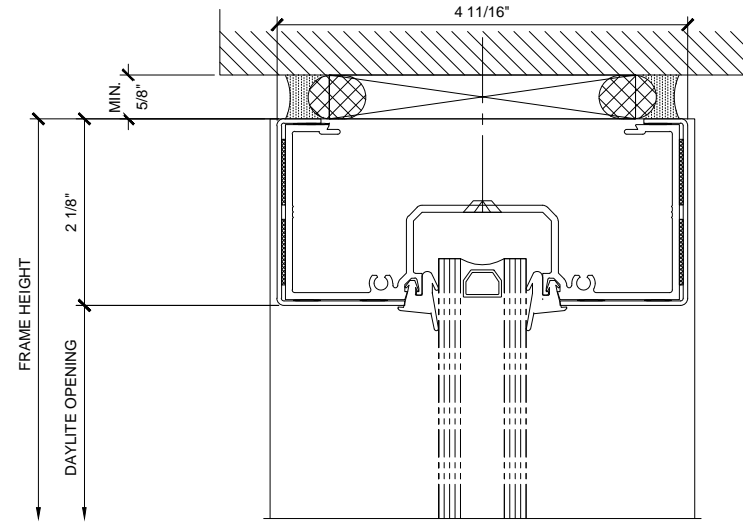
**CRL ALUMINUM**  
 C.R. LAURENCE CO. ARCHITECTURAL PRODUCTS  
 2503 E. Vermont Avenue, Los Angeles, CA 90058-1897  
 PH (800) 421-6144 FAX 800-587-7501 WWW.CRLAURENCE.COM

Discription:  
 CRL BALANCER SERIES  
 CLAD BALANCED DOOR  
 U.S. ALUMINUM RAIL & STILE

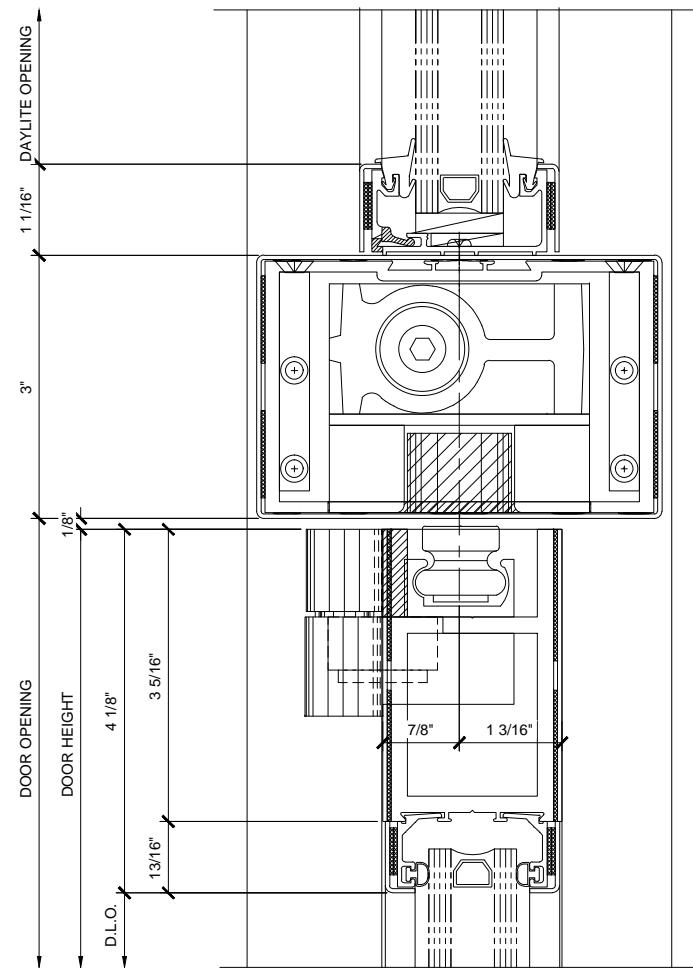
Drawn By: VM  
 Date: 9/5/13  
 Scale: AS NOTED  
 File Name:  
 BALNCR BD - U.S. ALUM RAIL & STILE.dwg

Sheet

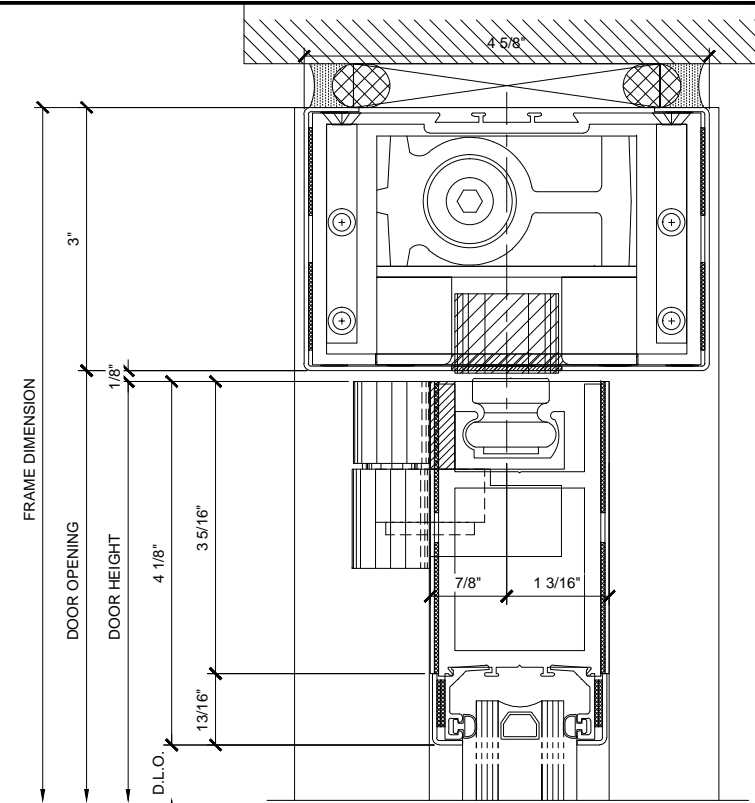
2.3



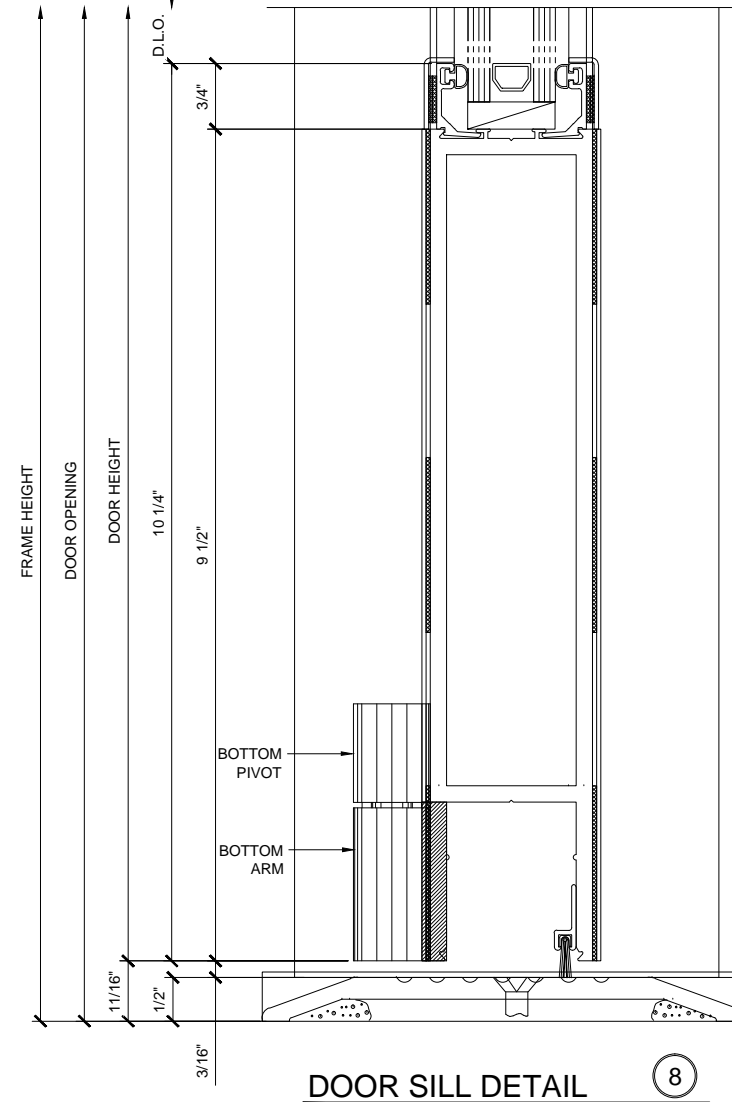
**TRANSOM HEAD DETAIL** (6)



**DOOR HEAD DETAIL AT TRANSOM** (7)



**DOOR HEAD DETAIL** (9)



**DOOR SILL DETAIL** (8)

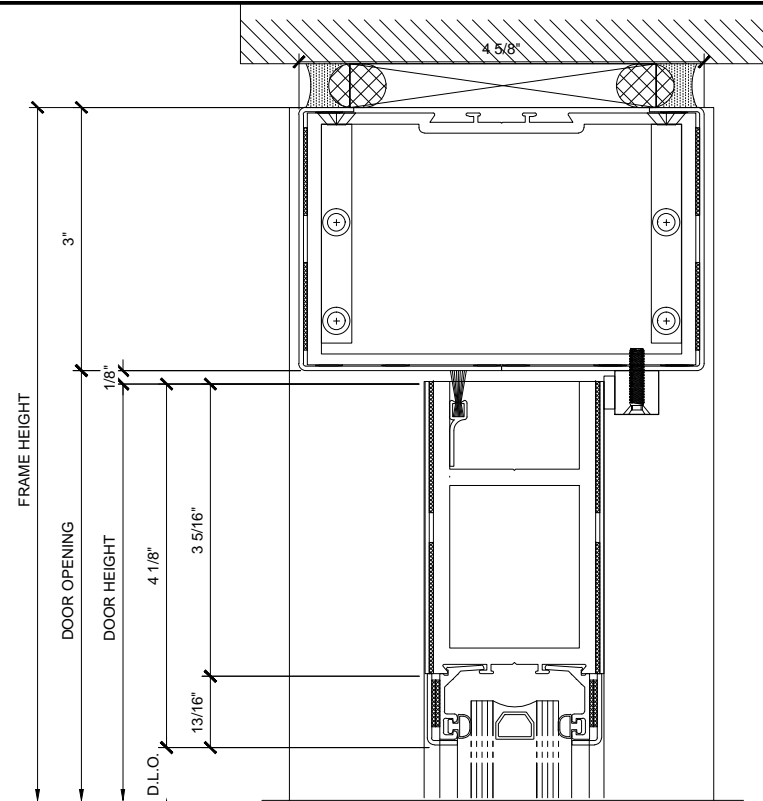
Revisions By:



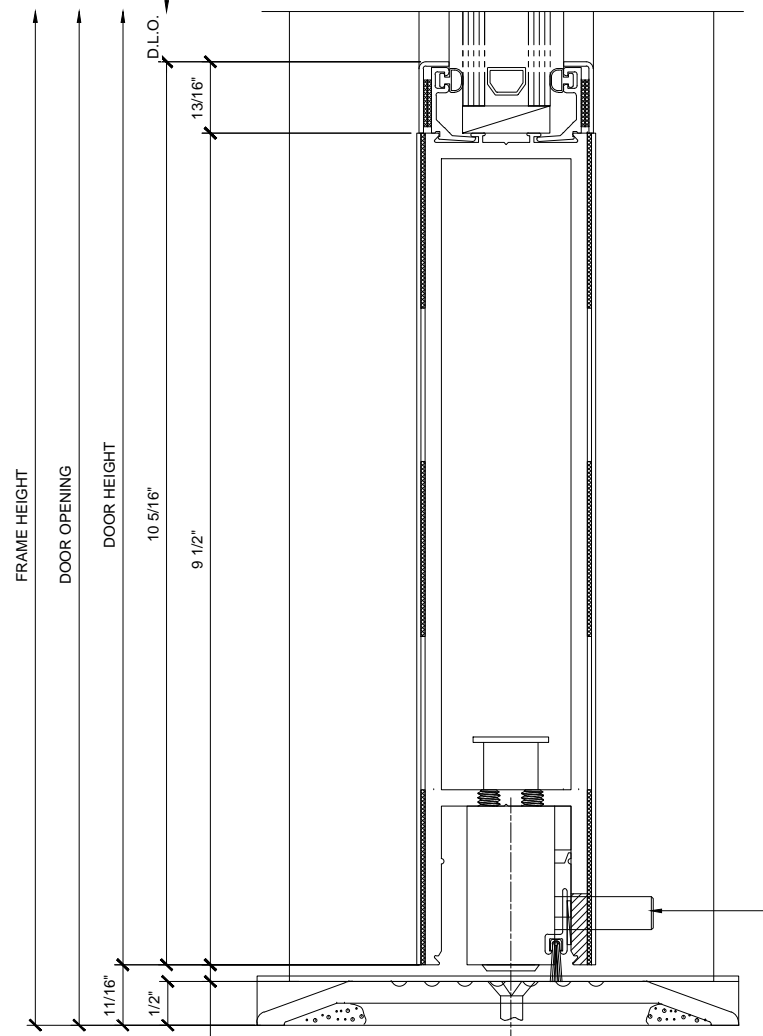
C.R. LAURENCE CO., ARCHITECTURAL PRODUCTS  
2503 E. Yermoland Avenue, Los Angeles, CA 90058-1897  
PH: (800) 421-6144 FAX: 800-587-7501 www.crlaurence.com

Discription:  
CRL BALANCER SERIES  
CLAD BALANCED DOOR  
U.S. ALUMINUM RAIL & STILE

Drawn By: VM  
Date: 9/5/13  
Scale: AS NOTED  
File Name: BALNCR BD - U.S. ALUM RAIL & STILE.dwg  
Sheet

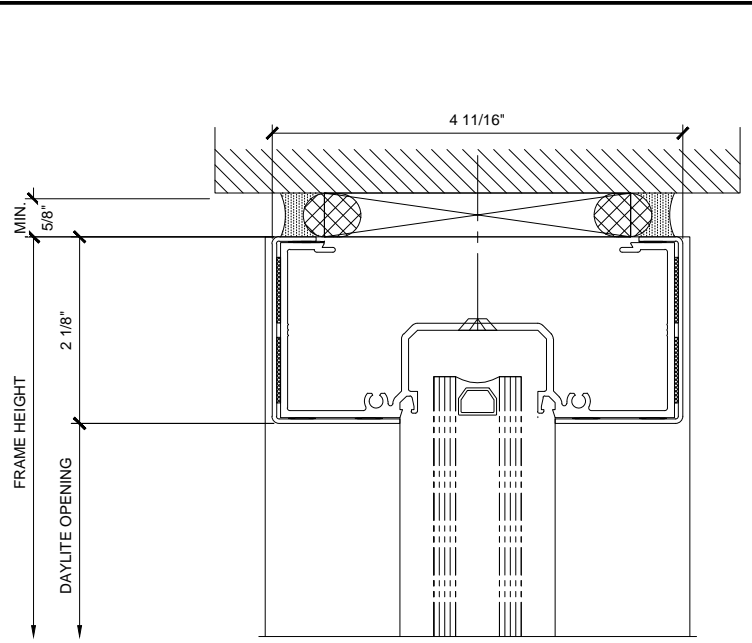


**DOOR HEAD DETAIL** (9A)

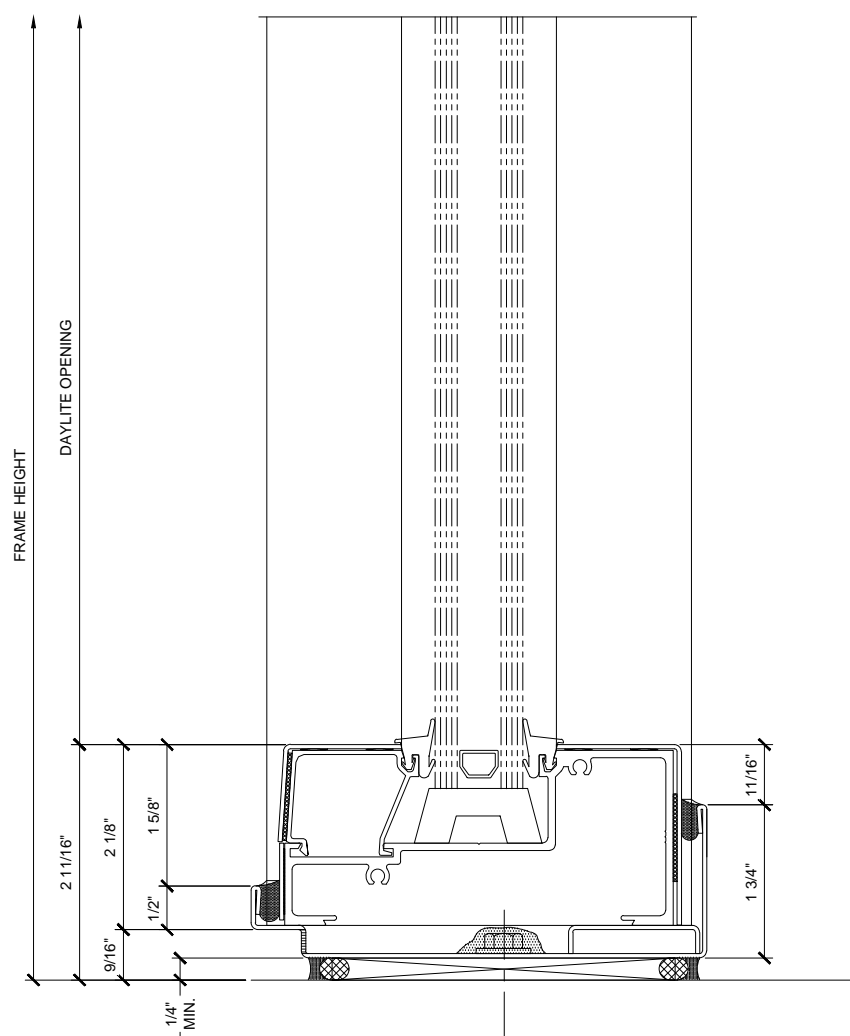


**DOOR SILL DETAIL** (8A)

HOLD OPEN DEVICE



**HEAD DETAIL AT SIDELITE** (10)



**SILL DETAIL AT SIDELITE** (11)

Revisions By:

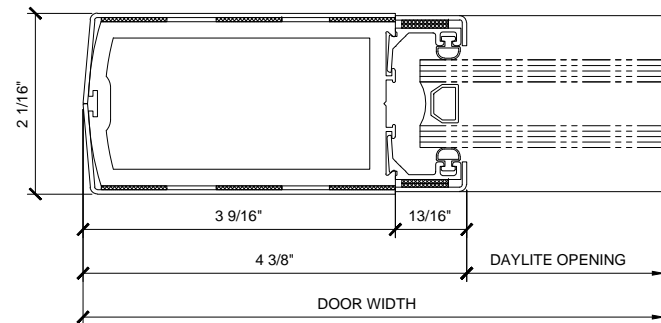


Discription:  
 CRL BALANCER SERIES  
 CLAD BALANCED DOOR  
 U.S. ALUMINUM RAIL & STILE

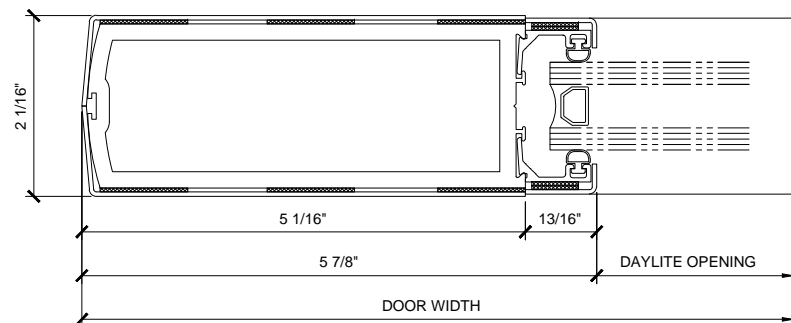
Drawn By: VM  
 Date: 9/5/13  
 Scale: AS NOTED  
 File Name: BALNCR BD - U.S. ALUM RAIL & STILE.dwg

Sheet

2.5

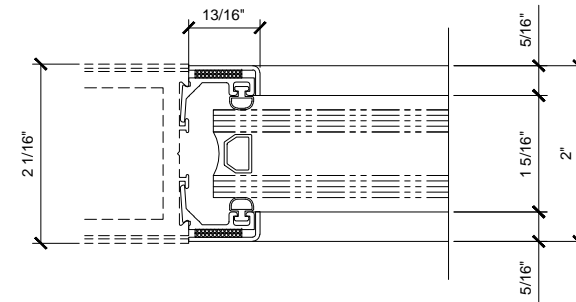


MEDIUM STILE

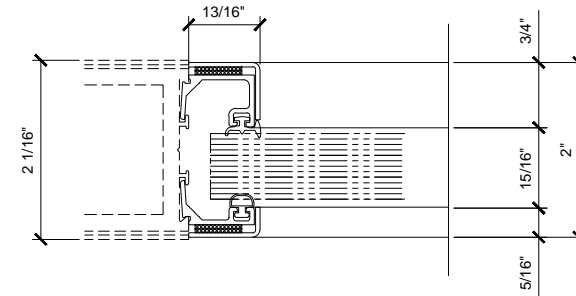


WIDE STILE

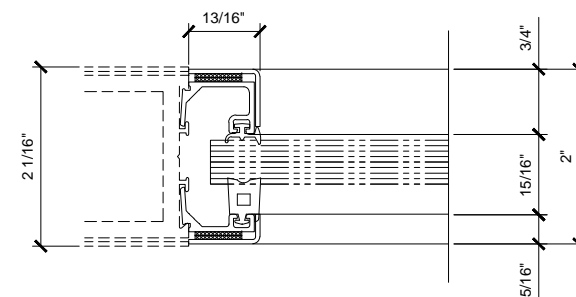
**STANDARD STILES (SHOWN WITH GLASS STOPS FOR 1" GLASS)**



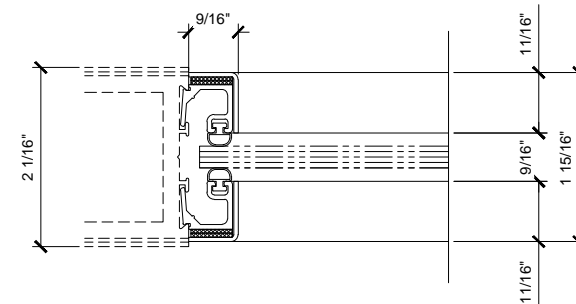
GLASS STOPS FOR 1" GLASS



GLASS STOPS FOR 3/4" GLASS



GLASS STOPS FOR 1/2" GLASS



GLASS STOPS FOR 1/4" GLASS

**GLASS STOP OPTIONS**

Revisions By:

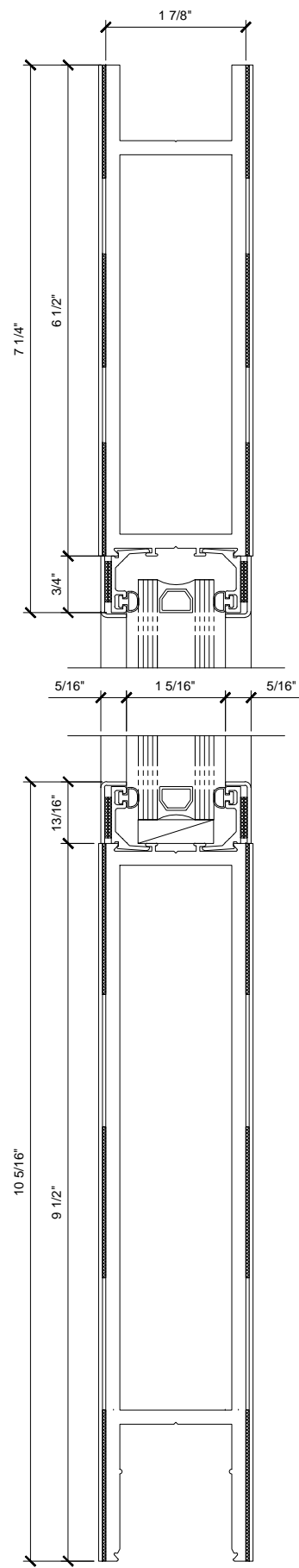


Discription:  
 CRL BALANCER SERIES  
 GLAD BALANCED DOOR  
 U.S. ALUMINUM RAIL & STILE

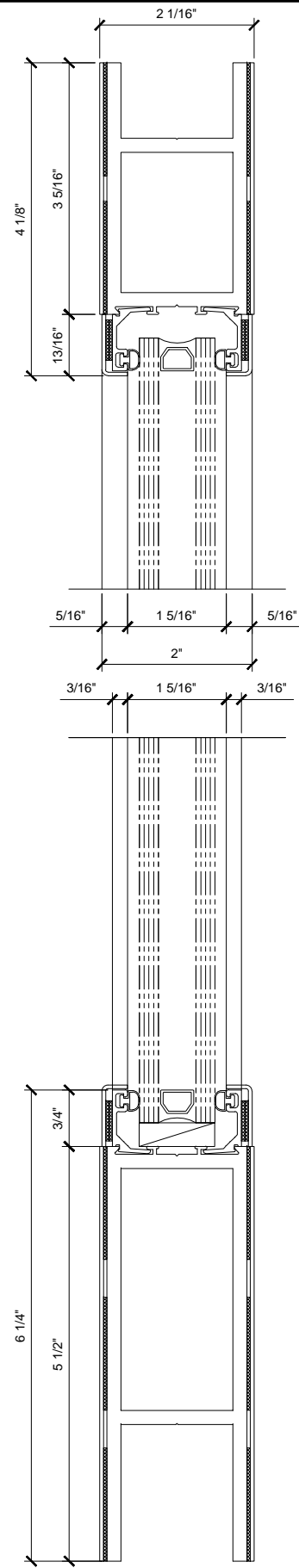
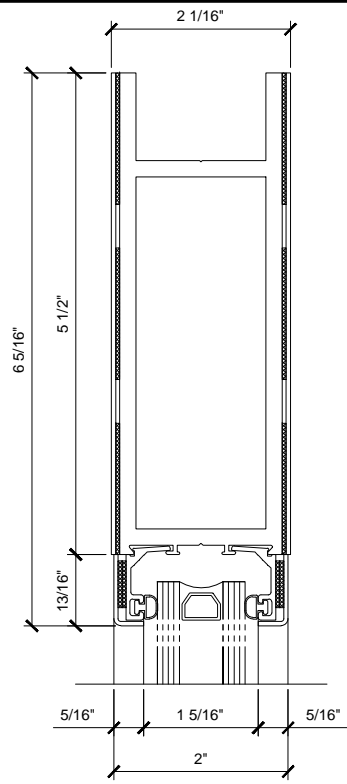
Drawn By: VM  
 Date: 9/5/13  
 Scale: AS NOTED  
 File Name:  
 BALNCR BD - U.S. ALUM RAIL & STILE.dwg

Sheet

2.6



WIDE RAIL



MEDIUM RAIL

STANDARD STILES (SHOWN WITH GLASS STOPS FOR 1/2" GLASS)

Revisions By:



C.R. LAURENCE CO., ARCHITECTURAL PRODUCTS  
2503 E. Yermoland Avenue, Los Angeles, CA 90058-1897  
PH: (800) 421-6144 FAX: 800-587-7501 www.crlaurence.com

Discription:  
CRL BALANCER SERIES  
CLAD BALANCED DOOR  
U.S. ALUMINUM RAIL & STILE

Drawn By: VM  
Date: 9/5/13  
Scale: AS NOTED  
File Name: BALNCR BD - U.S. ALUM RAIL & STILE.dwg

Sheet

2.7