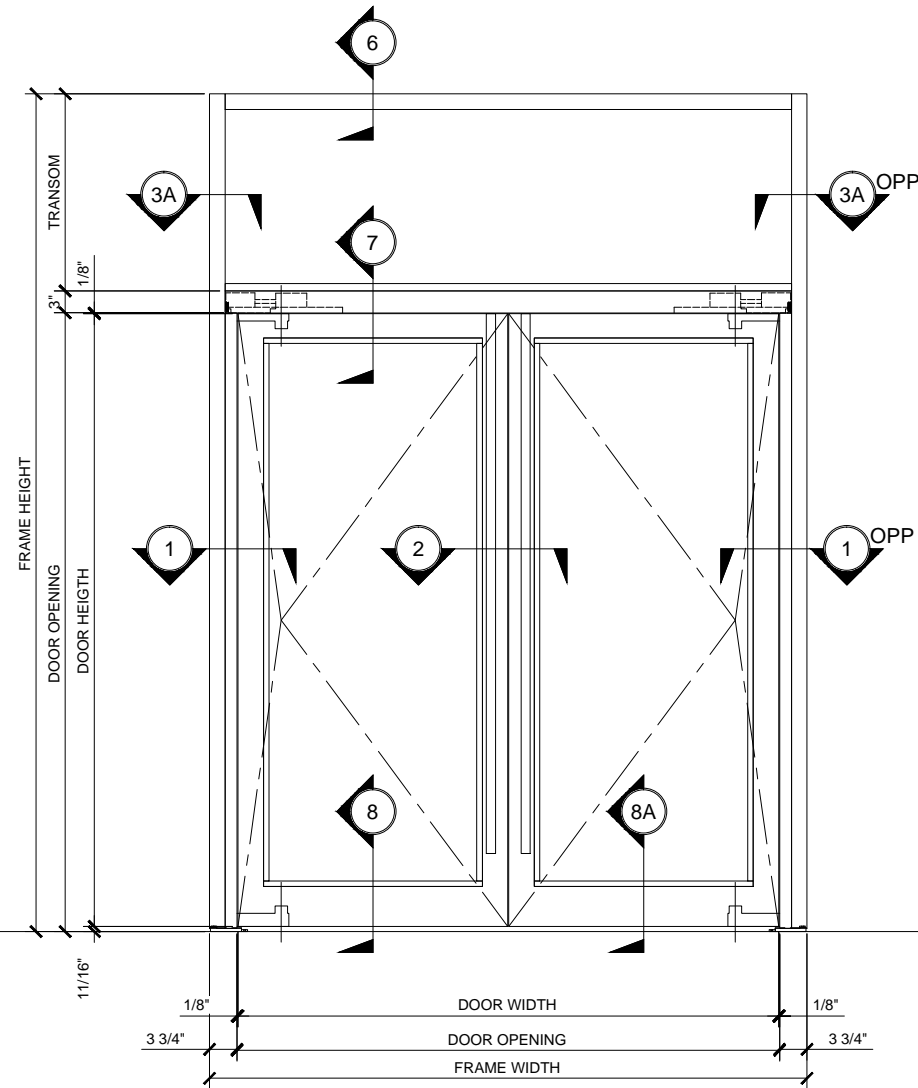
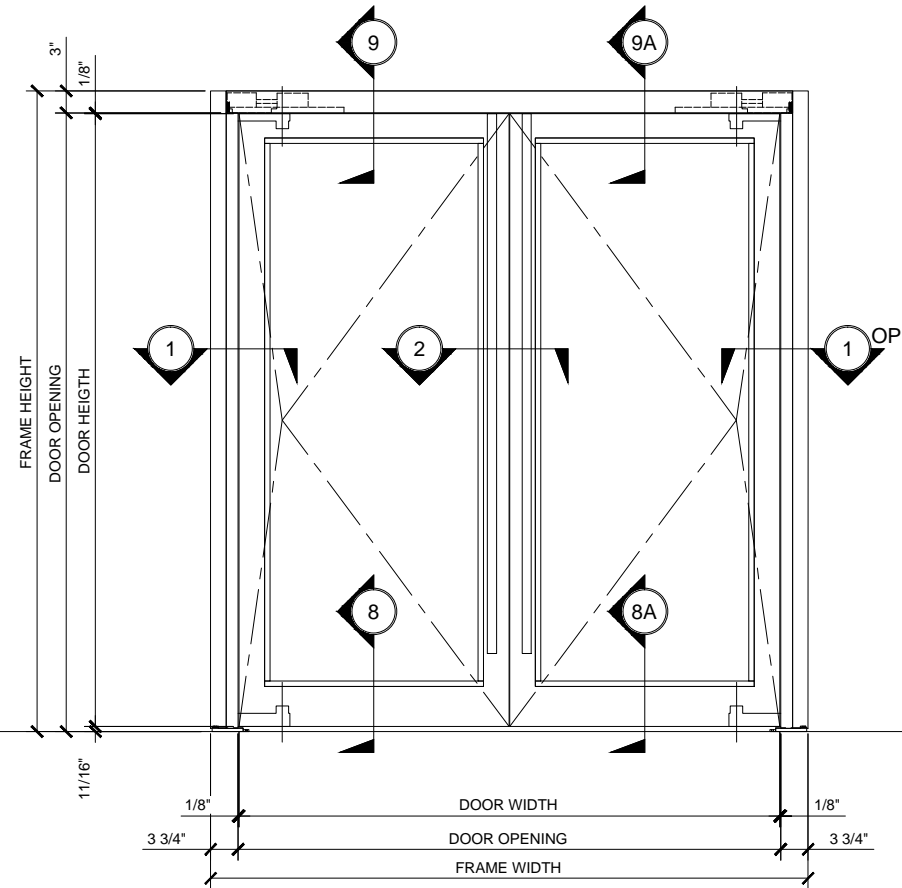


**CRL BALANCER SERIES BALANCED DOOR
 CLAD U.S. ALUMINUM RAIL & STILE
 WITH CONCEALED SHAFT**

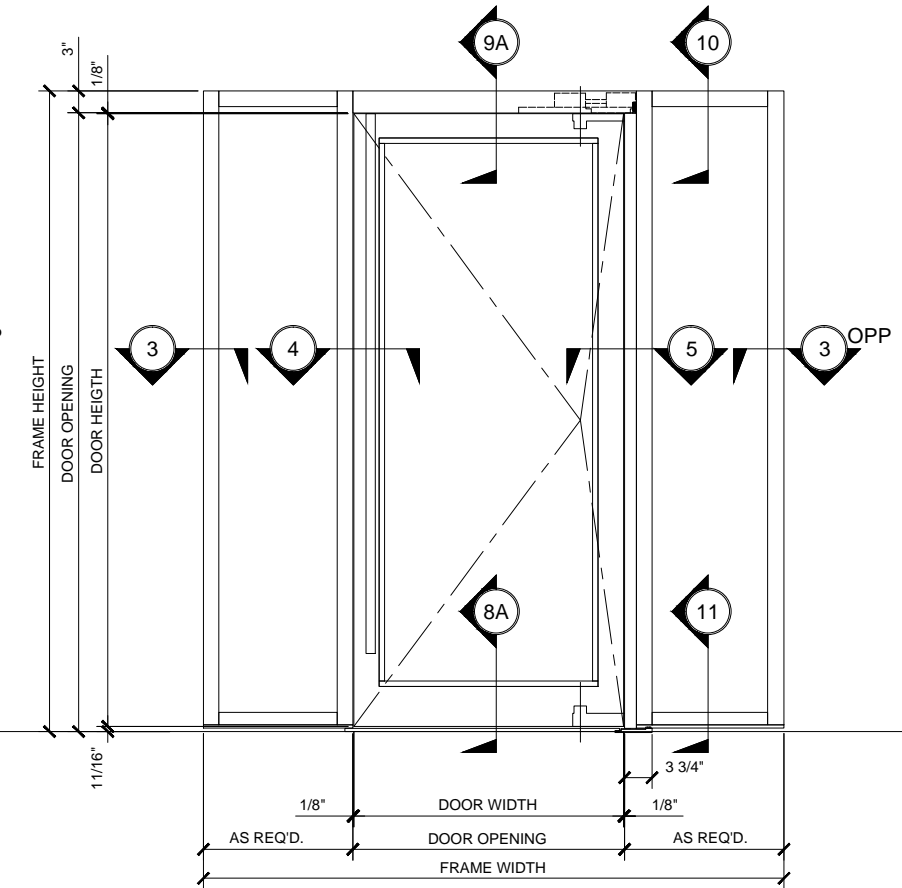
Revisions By:



**CRL BALANCER SERIES BALANCED DOOR
 CLAD U.S. ALUMINUM RAIL & STILE WITH CONCEALED SHAFT
 DOOR PAIR WITH TRANSOM ELEVATION**



**CRL BALANCER SERIES BALANCED DOOR
 CLAD U.S. ALUMINUM RAIL & STILE WITH CONCEALED SHAFT
 DOOR PAIR ELEVATION**



**CRL BALANCER SERIES BALANCED DOOR
 CLAD U.S. ALUMINUM RAIL & STILE WITH CONCEALED SHAFT
 SINGLE DOOR WITH SIDELITES ELEVATION**

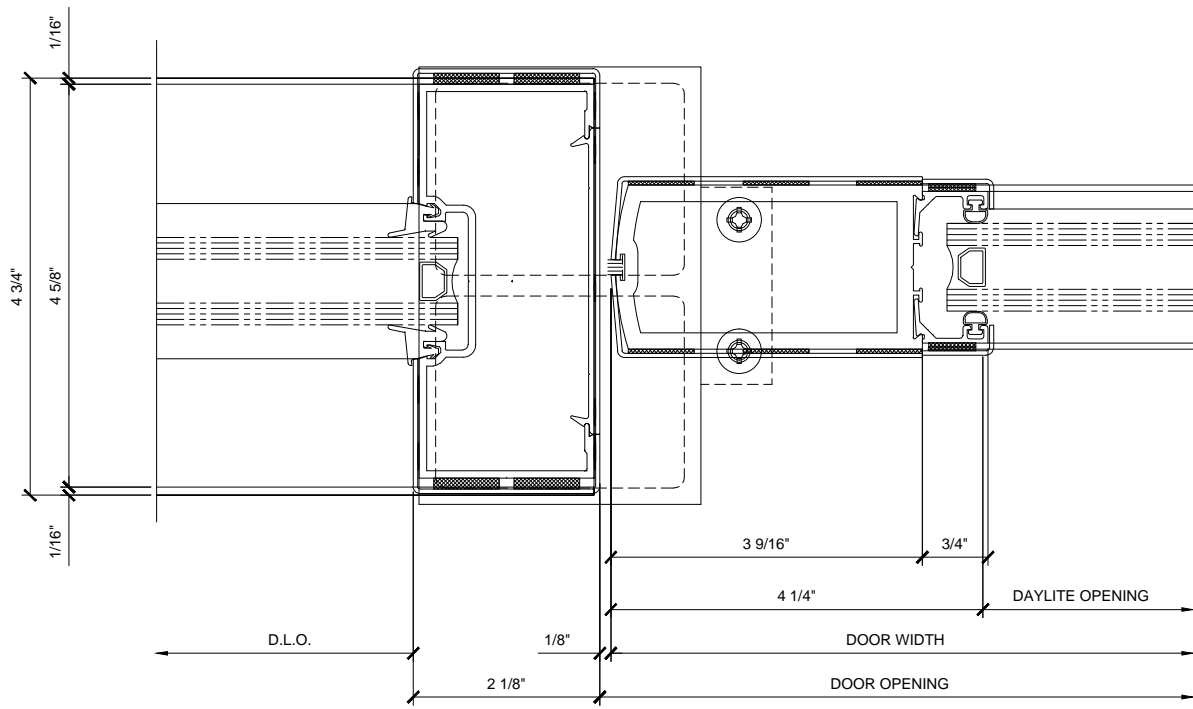


**CRL BALANCER SERIES
 CLAD BALANCED DOOR
 U.S. ALUMINUM RAIL & STILE**

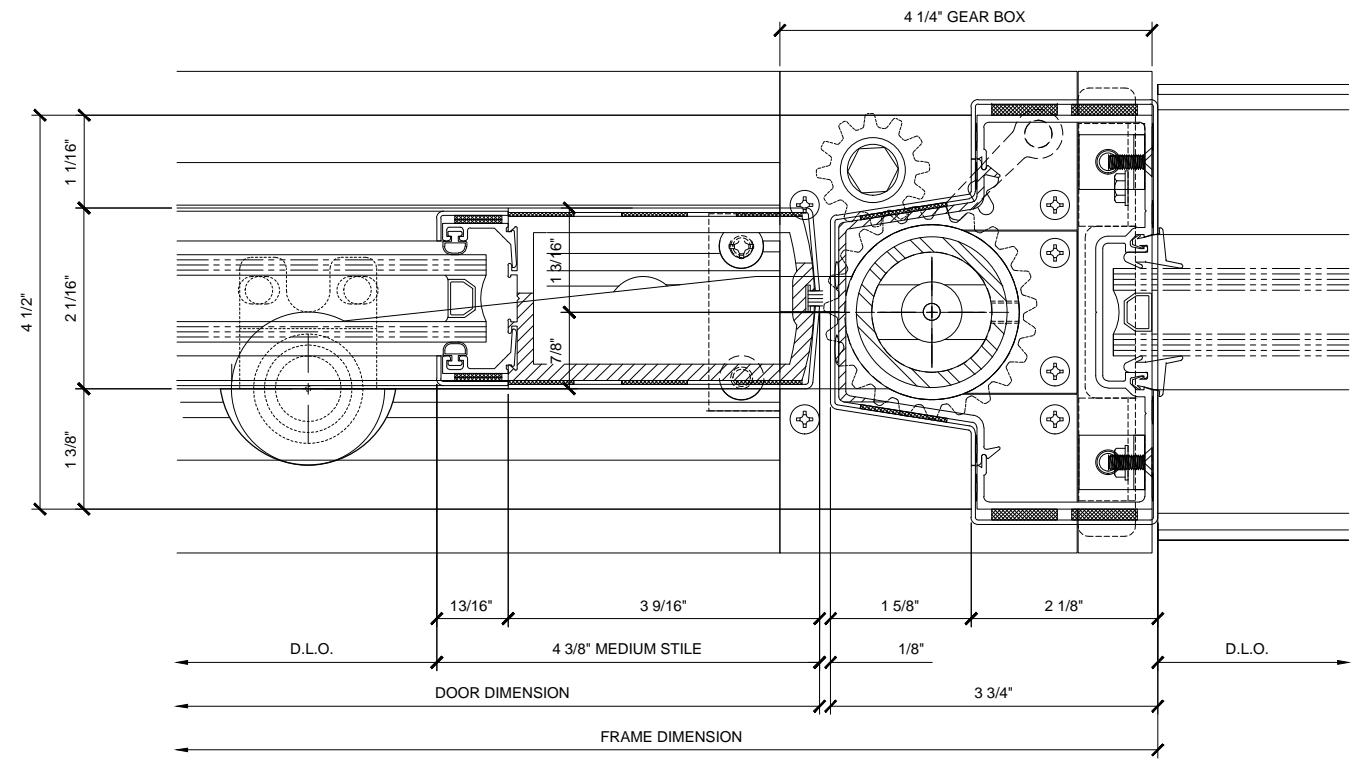
Discipline:

Drawn By: VM
 Date: 9/5/13
 Scale: AS NOTED
 File Name: BALNCR BD - U.S. ALUM RAIL & STILE.dwg

Sheet



DOOR STRIKE JAMB AT SIDELITE DETAIL ④



DOOR PIVOT JAMB DETAIL ⑤

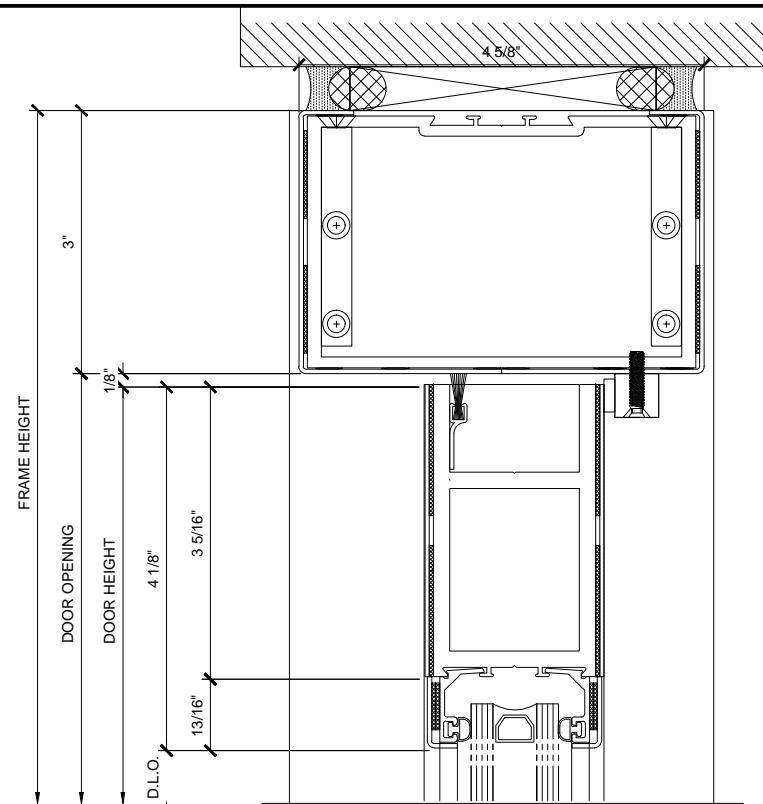
Revisions By:



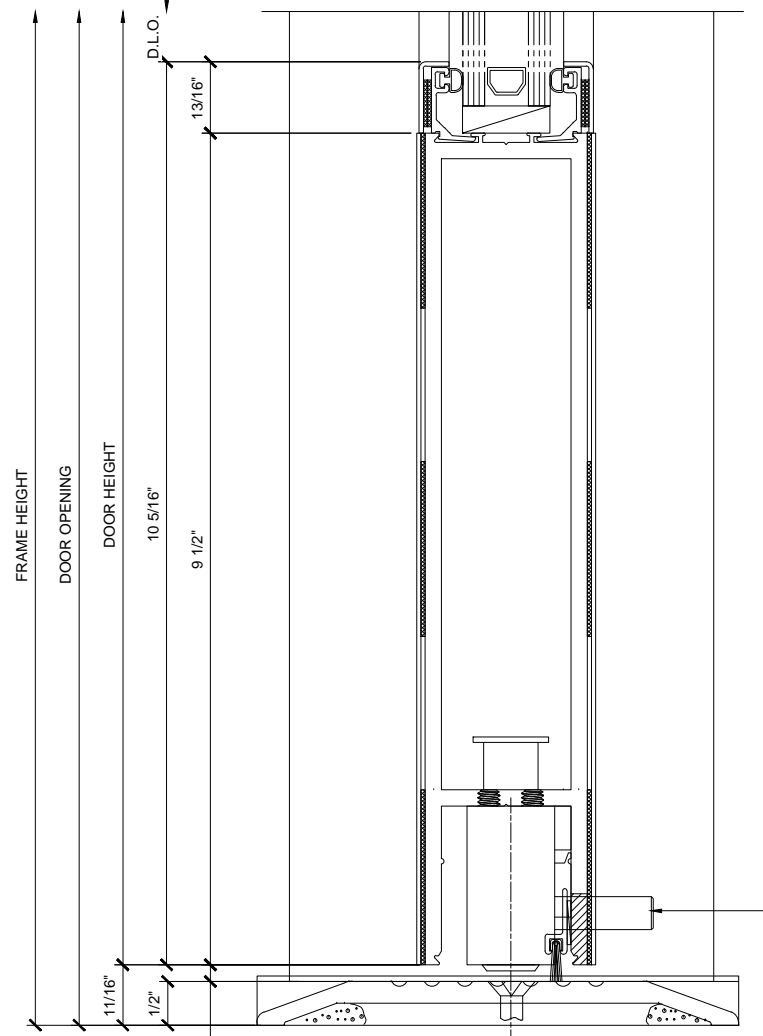
C.R. LAURENCE CO. ARCHITECTURAL PRODUCTS
 2503 E. Vermont Avenue, Los Angeles, CA 90058-1897
 PH: (800) 421-6144 FAX: 800-587-7501 www.crlaurence.com

Discription:
 CRL BALANCER SERIES
 CLAD BALANCED DOOR
 U.S. ALUMINUM RAIL & STILE

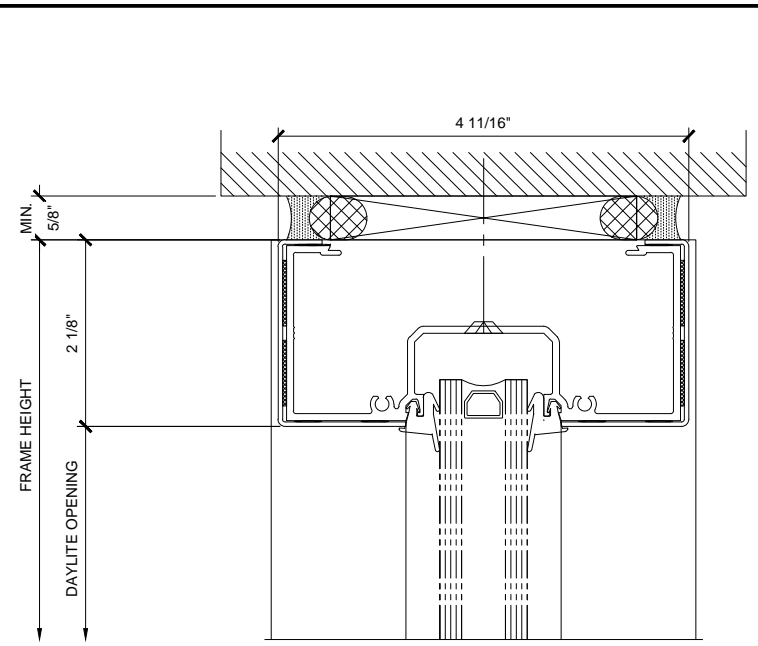
Drawn By: VM
 Date: 9/5/13
 Scale: AS NOTED
 File Name: BALNCR BD - U.S. ALUM RAIL & STILE.dwg



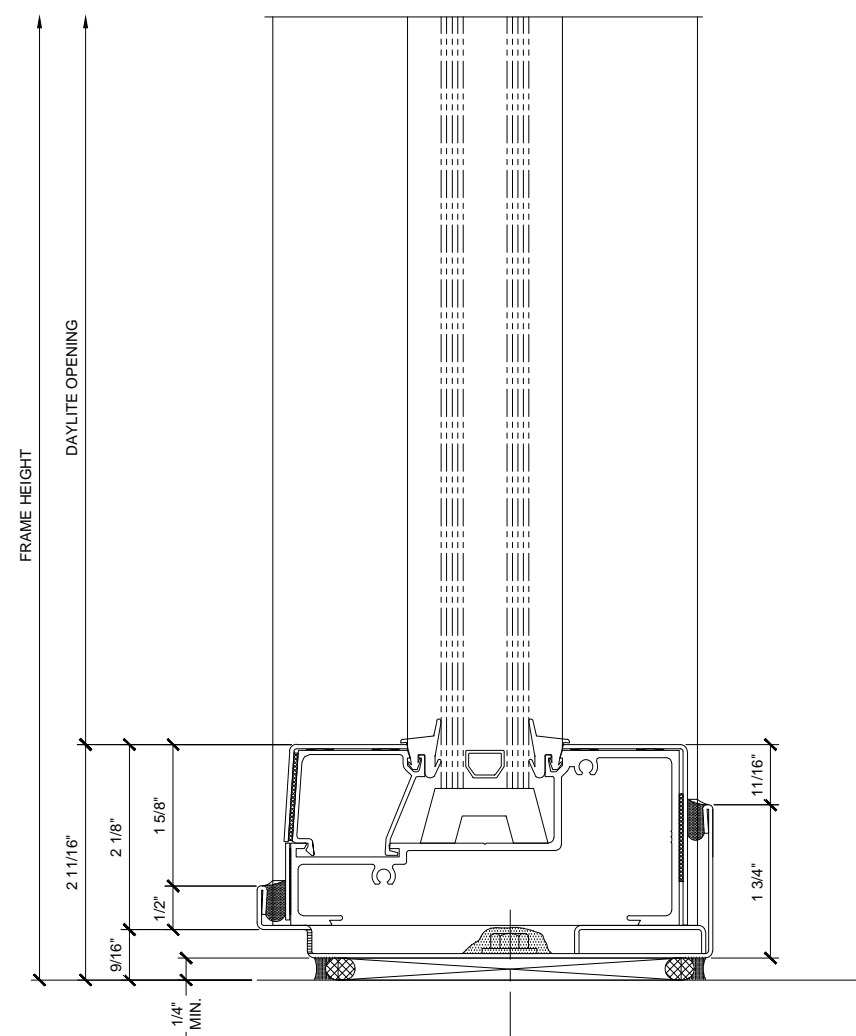
DOOR HEAD DETAIL (9A)



DOOR SILL DETAIL (8A)



HEAD DETAIL AT SIDELITE (10)



SILL DETAIL AT SIDELITE (11)

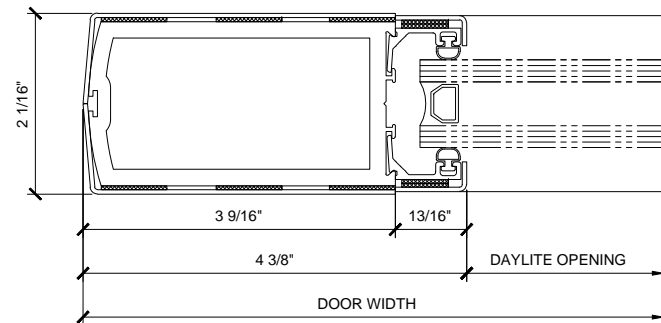
Revisions By:



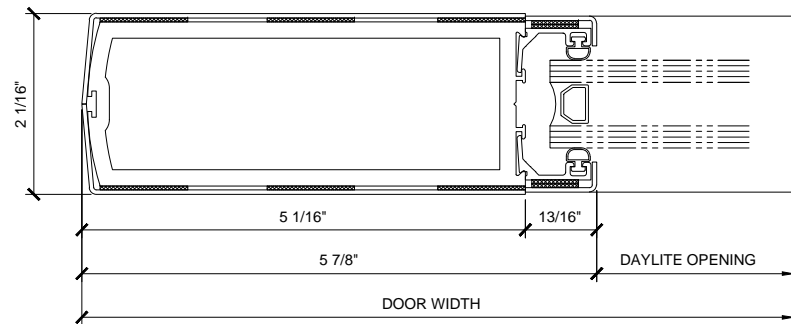
C.R. LAURENCE CO., ARCHITECTURAL PRODUCTS
 2503 E. Vermont Avenue, Los Angeles, CA 90058-1897
 PH (800) 421-6144 FAX (800) 587-7501 WWW.CRLAURENCE.COM

Discription:
 CRL BALANCER SERIES
 CLAD BALANCED DOOR
 U.S. ALUMINUM RAIL & STILE

Drawn By: VM
 Date: 9/5/13
 Scale: AS NOTED
 File Name: BALNCR BD - U.S. ALUM RAIL & STILE.dwg

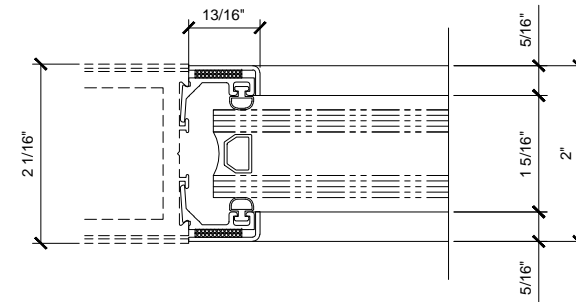


MEDIUM STILE

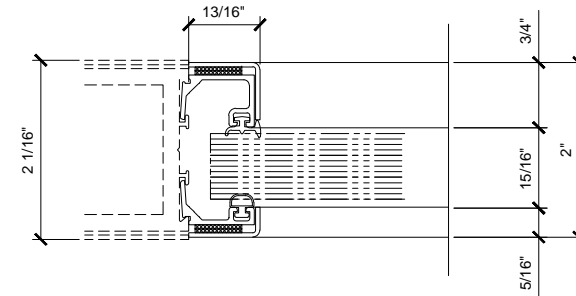


WIDE STILE

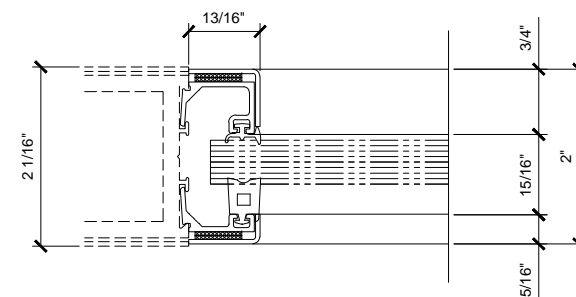
STANDARD STILES (SHOWN WITH GLASS STOPS FOR 1" GLASS)



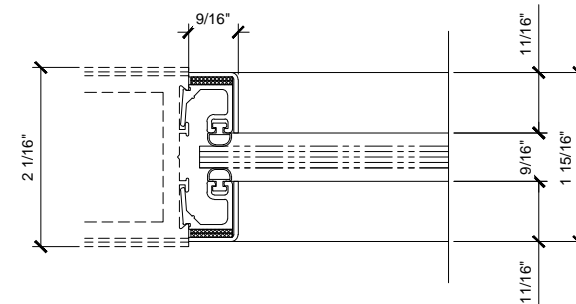
GLASS STOPS FOR 1" GLASS



GLASS STOPS FOR 3/4" GLASS



GLASS STOPS FOR 1/2" GLASS



GLASS STOPS FOR 1/4" GLASS

GLASS STOP OPTIONS

Revisions By:



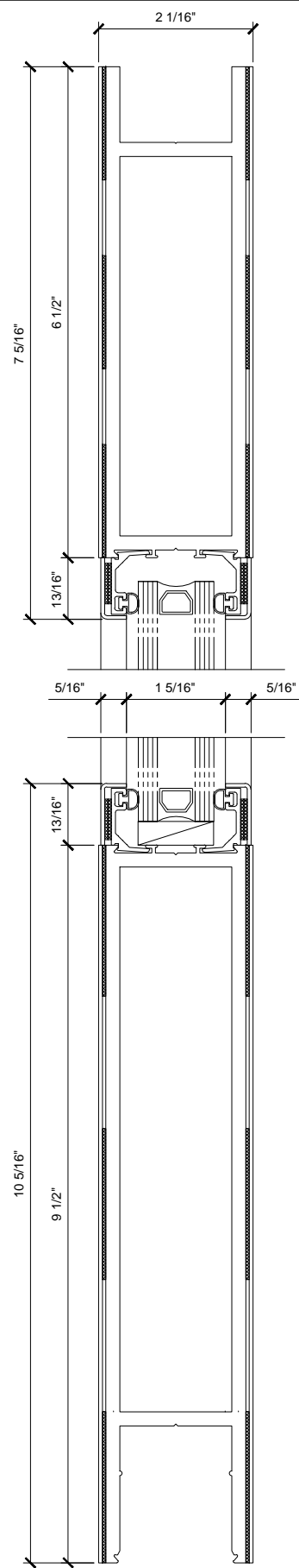
C.R. LAURENCE CO. ARCHITECTURAL PRODUCTS
2503 E. Vermont Avenue, Los Angeles, CA 90058-1897
PH (800) 421-6144 FAX 800-587-7501 www.crlaurence.com

Discription:
CRL BALANCER SERIES
GLAD BALANCED DOOR
U.S. ALUMINUM RAIL & STILE

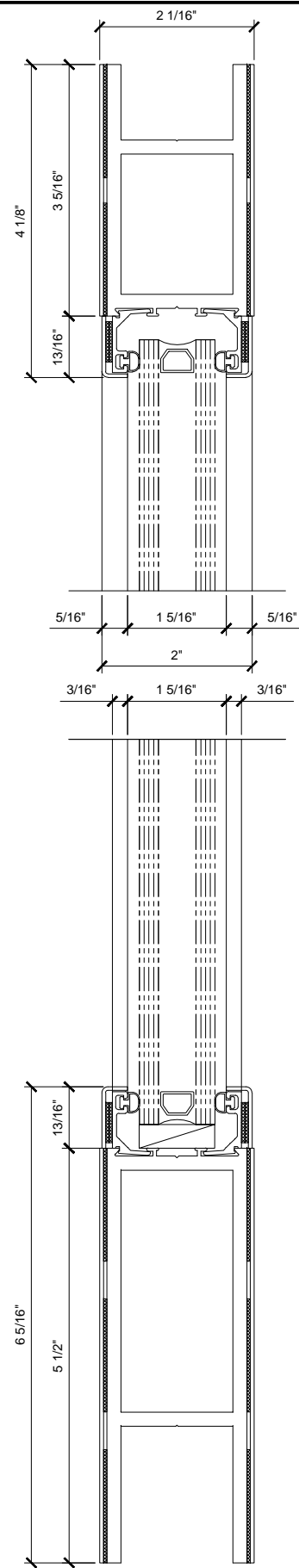
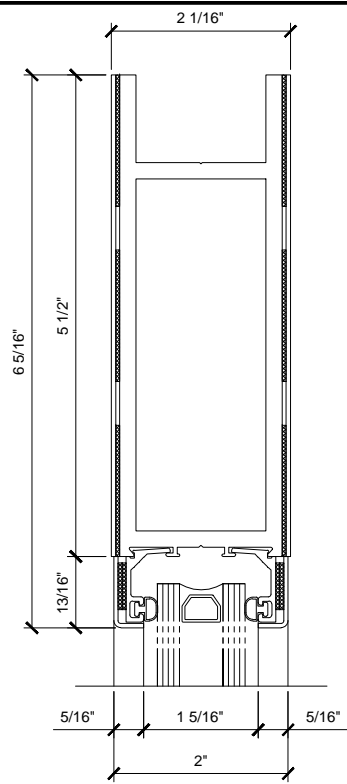
Drawn By: VM
Date: 9/5/13
Scale: AS NOTED
File Name: BALNCR BD - U.S. ALUM RAIL & STILE.dwg

Sheet

1.6



WIDE RAIL



MEDIUM RAIL

STANDARD STILES (SHOWN WITH GLASS STOPS FOR 1/2" GLASS)

Revisions By:

CRL ALUMINUM
 C.R. LAURENCE CO., ARCHITECTURAL PRODUCTS
 2503 E. Yemton Avenue, Los Angeles, CA 90058-1897
 PH (800) 421-6144 FAX 800-587-7501 www.crlaurence.com

Discription:
 CRL BALANCER SERIES
 CLAD BALANCED DOOR
 U.S. ALUMINUM RAIL & STILE

Drawn By: VM
 Date: 9/5/13
 Scale: AS NOTED
 File Name:
 BALNCR BD - U.S. ALUM RAIL & STILE.dwg

Sheet

1.7