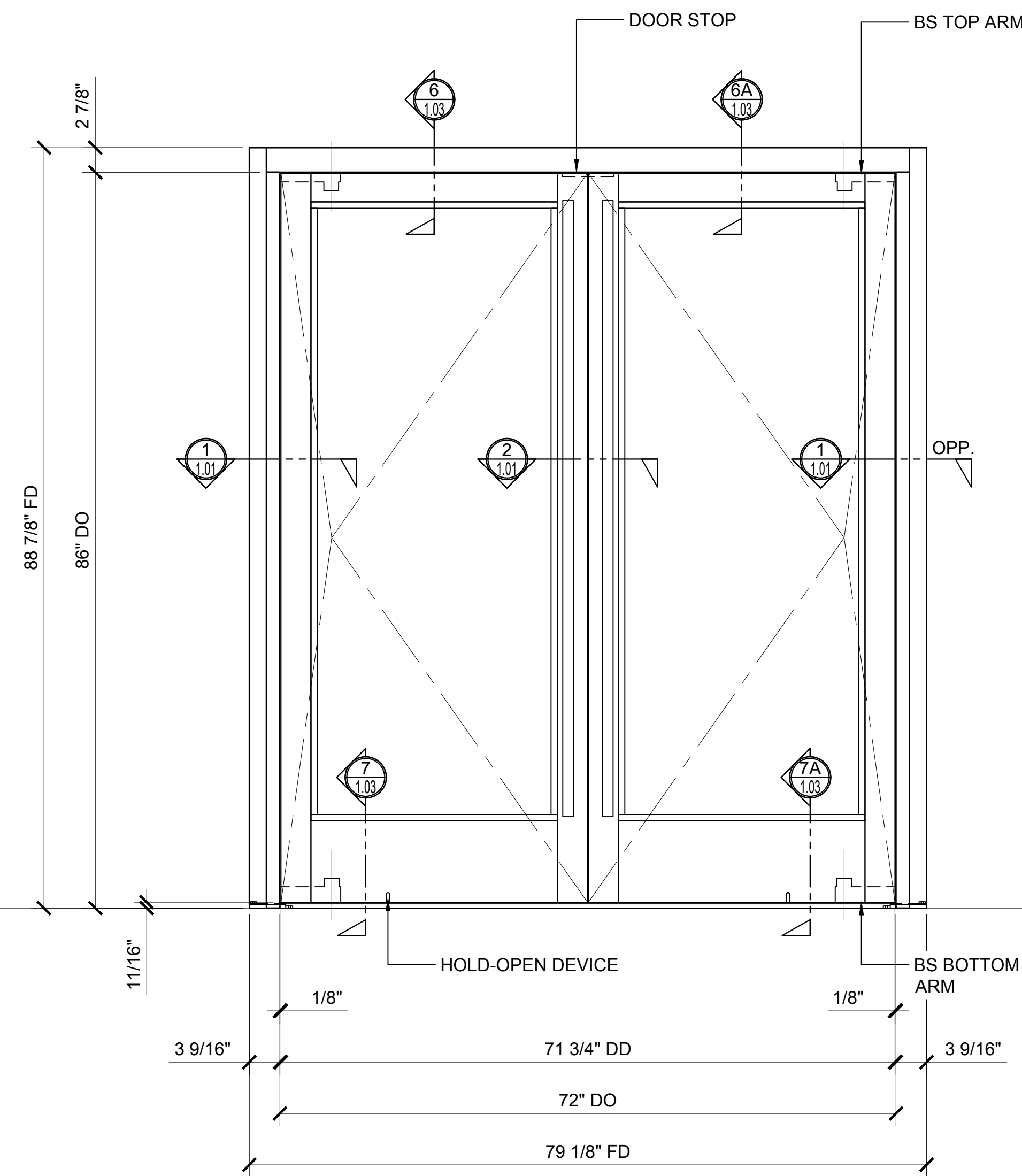
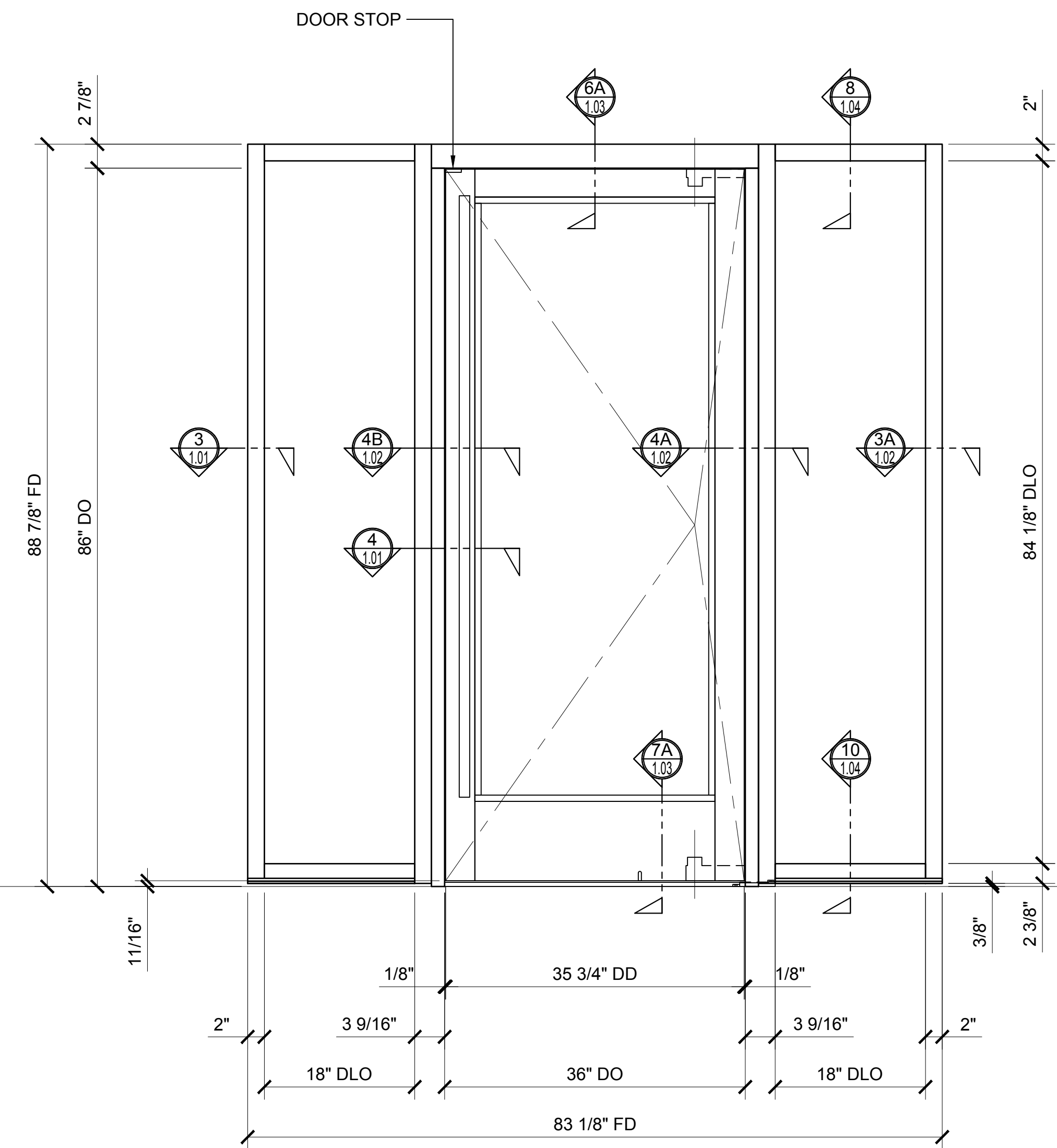


**CRL BALANCER SERIES BALANCED DOOR
U.S. ALUMINUM RAIL & STILE WITH CONCEALED SHAFT
DOOR PAIR WITH TRANSOM ELEVATION**



**CRL BALANCER SERIES BALANCED DOOR
U.S. ALUMINUM RAIL & STILE WITH CONCEALED SHAFT
DOOR PAIR ELEVATION**



**CRL BALANCER SERIES BALANCED DOOR
U.S. ALUMINUM RAIL & STILE WITH CONCEALED SHAFT
SINGLE DOOR WITH SIDELIGHTS ELEVATION**

STANDARD ABBREVIATIONS

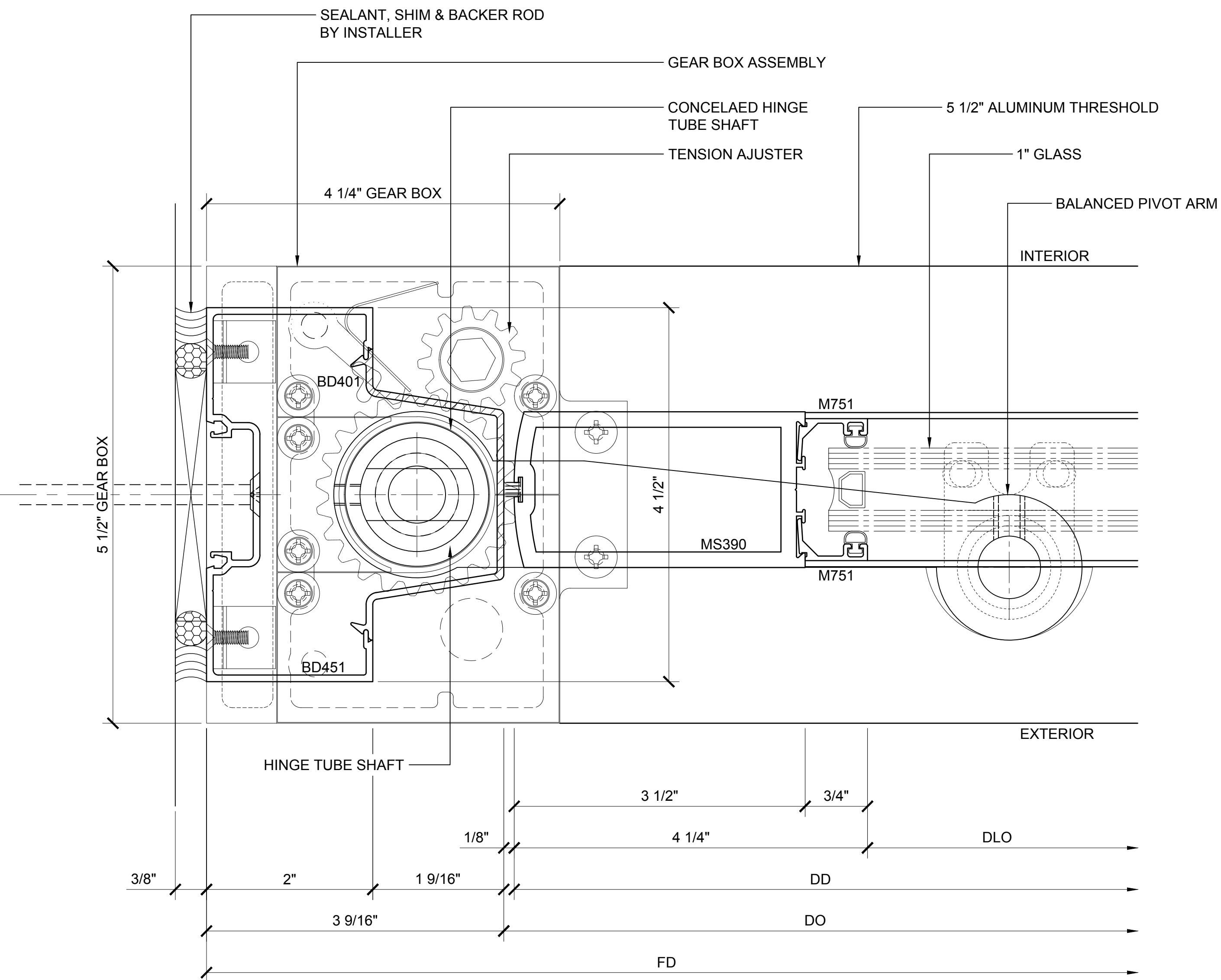
RO	ROUGH OPENING
FD	FRAME DIMENSION
DLO	DAYLIGHT OPENING
DO	DOOR OPENING
DD	DOOR DIMENSION
TD	TRANSOM DIMENSION
DP	DIMENSION POINT
SMC	SURFACE MOUNTED CLOSER
OHCC	OVERHEAD CONCEALED CLOSER

Description:
**CRL BALANCER SERIES
BALANCED DOOR
U.S. ALUMINUM RAIL & STILE**

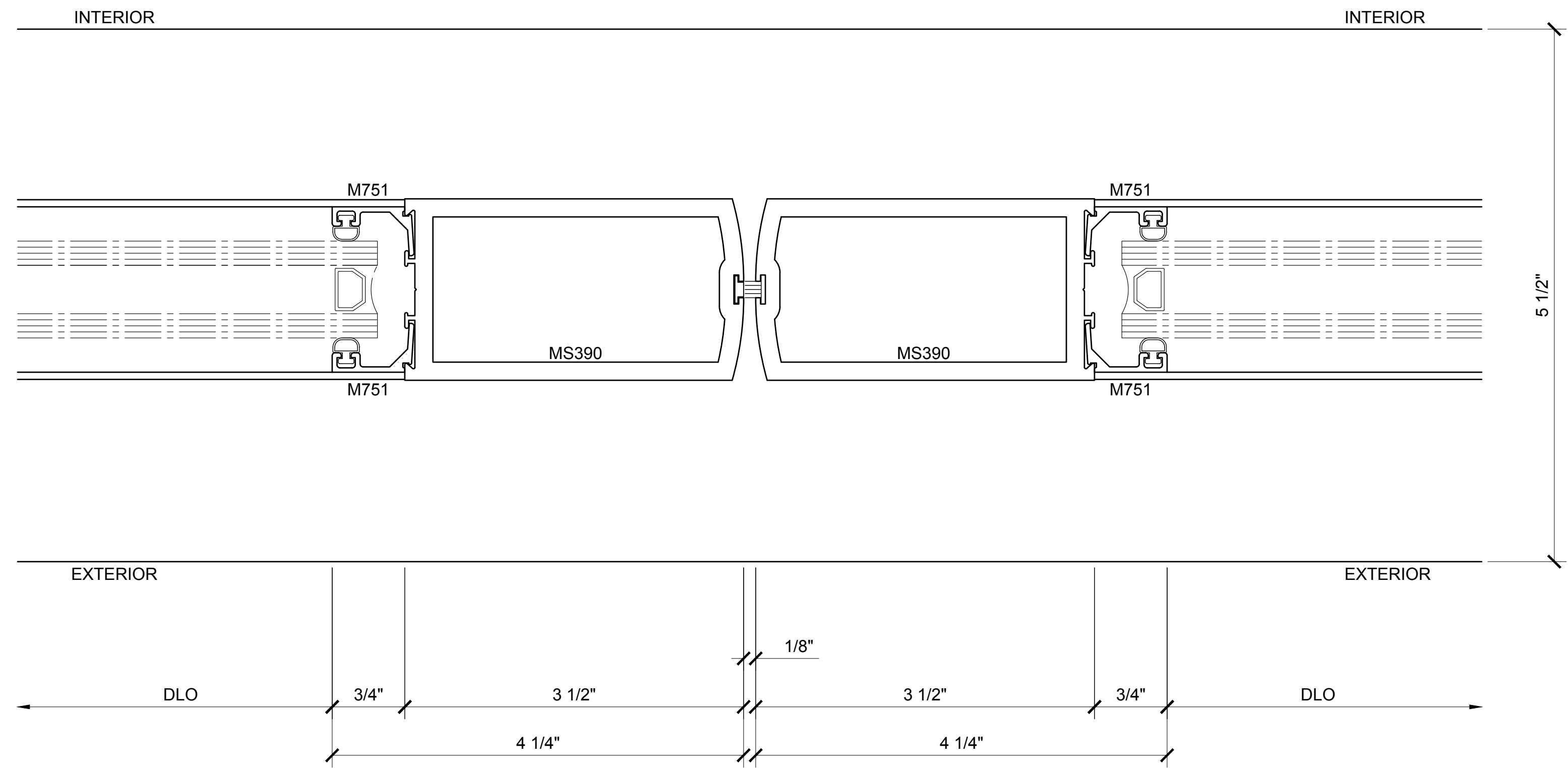
Drawn By: TG
Date: 01/15/16
Scale: AS NOTED
File Name: PS BD - U.S. ALUM RAIL & STILE.dwg

Sheet

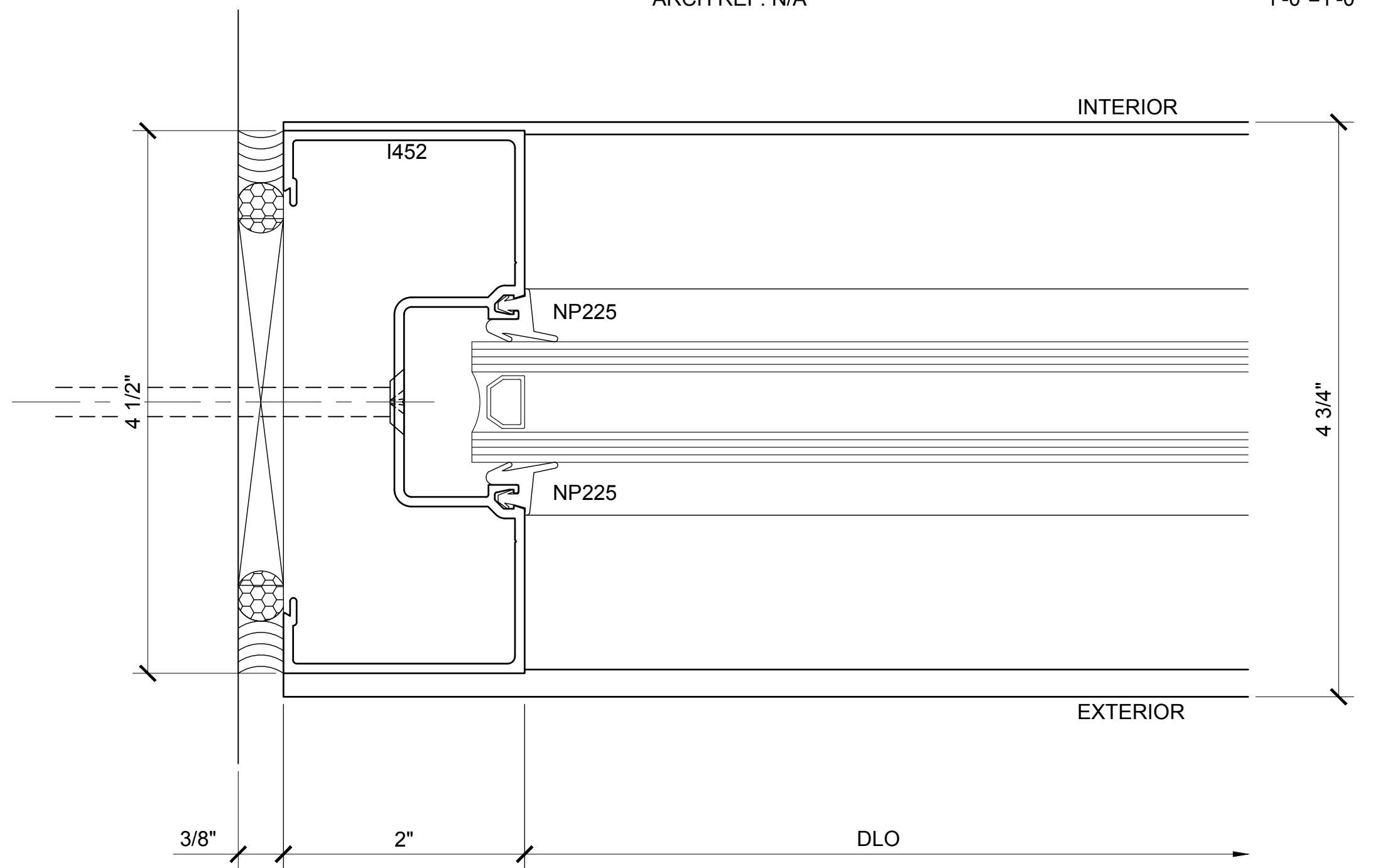
Revisions By:



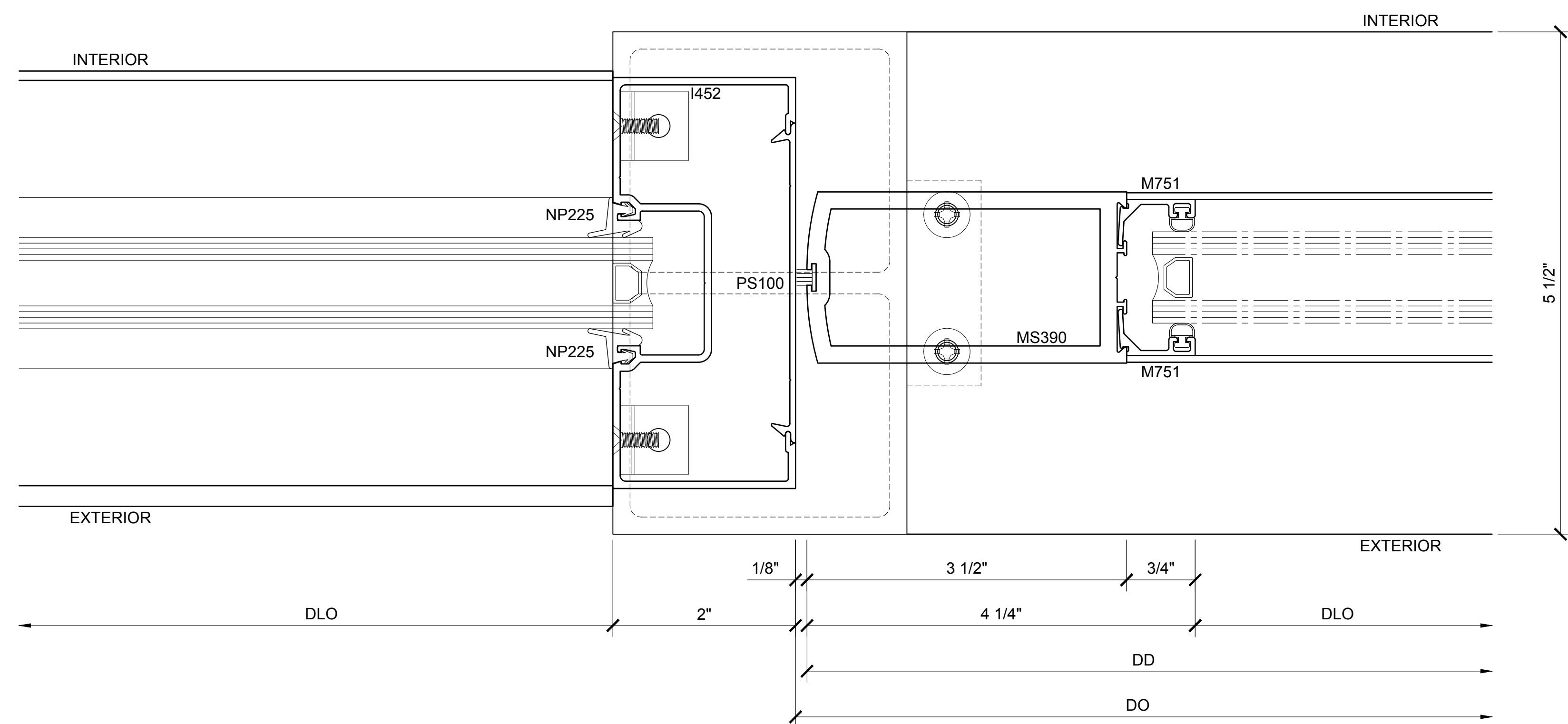
① DOOR PIVOT JAMB DETAIL
ARCH REF: N/A 1'-0"=1'-0"



② MEETING STILES DATAIL
ARCH REF: N/A 1'-0"=1'-0"



③ JAMB DETAIL AT SIDELIGHT
ARCH REF: N/A 1'-0"=1'-0"



④ DOOR STRIKE JAMB AT SIDELIGHT DETAIL
ARCH REF: N/A 1'-0"=1'-0"

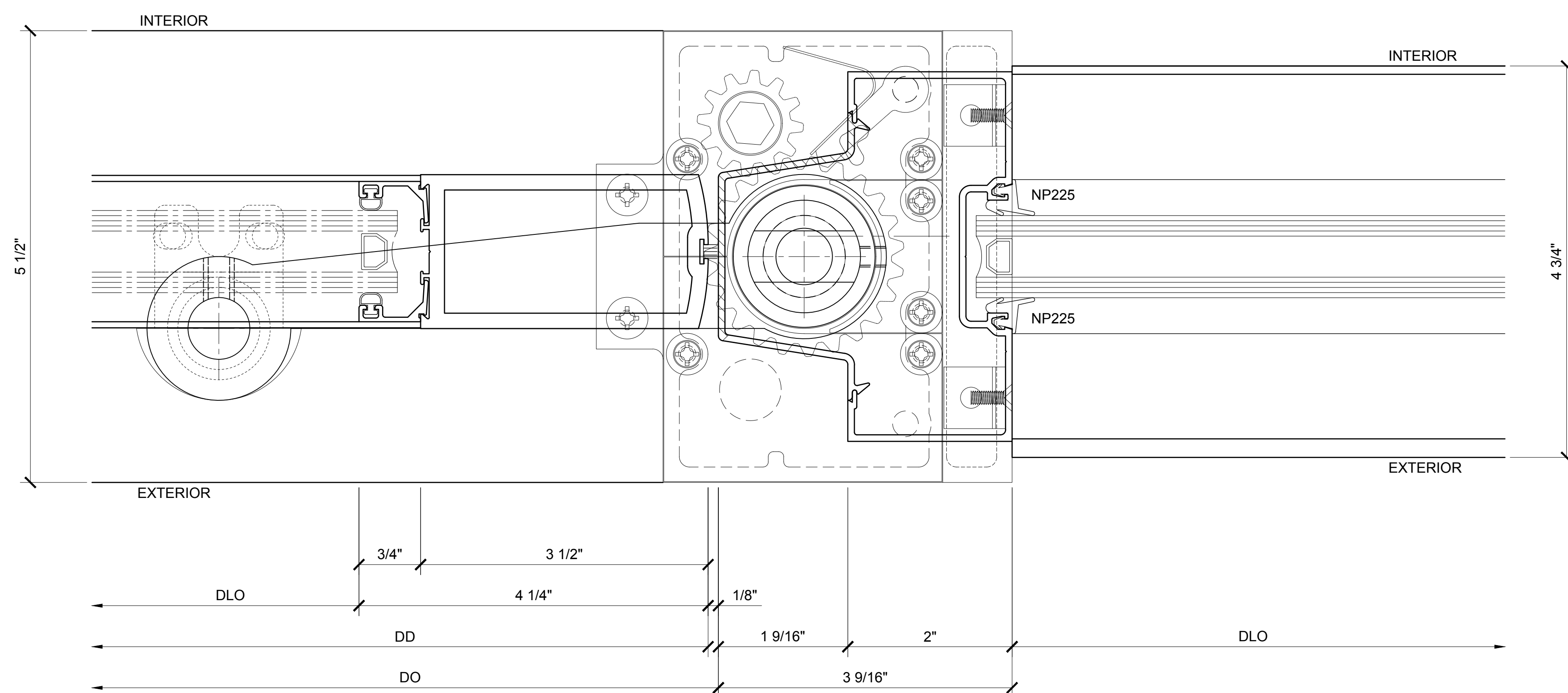
BALANCER SERIES ALUMINUM RAIL & STILE BALANCED DOORS DETAILS / 4-1/2" JAMB / CONCEALED SHAFT

Description:
CRL BALANCER SERIES
BALANCED DOOR
U.S. ALUMINUM RAIL & STILE

Drawn By: TG
Date: 01/15/16
Scale: AS NOTED
File Name: PS BD - U.S. ALUM RAIL & STILE.dwg

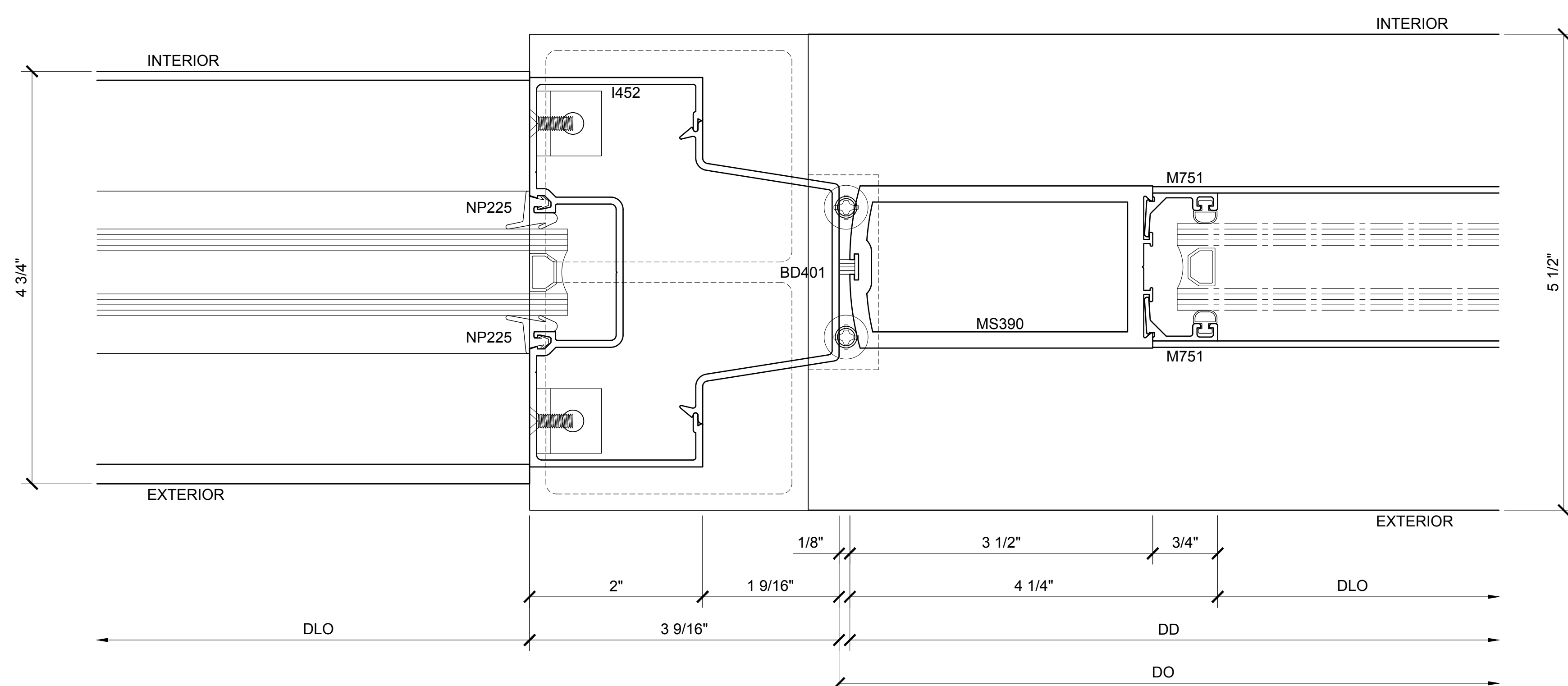
Sheet
1.01

Revisions By:



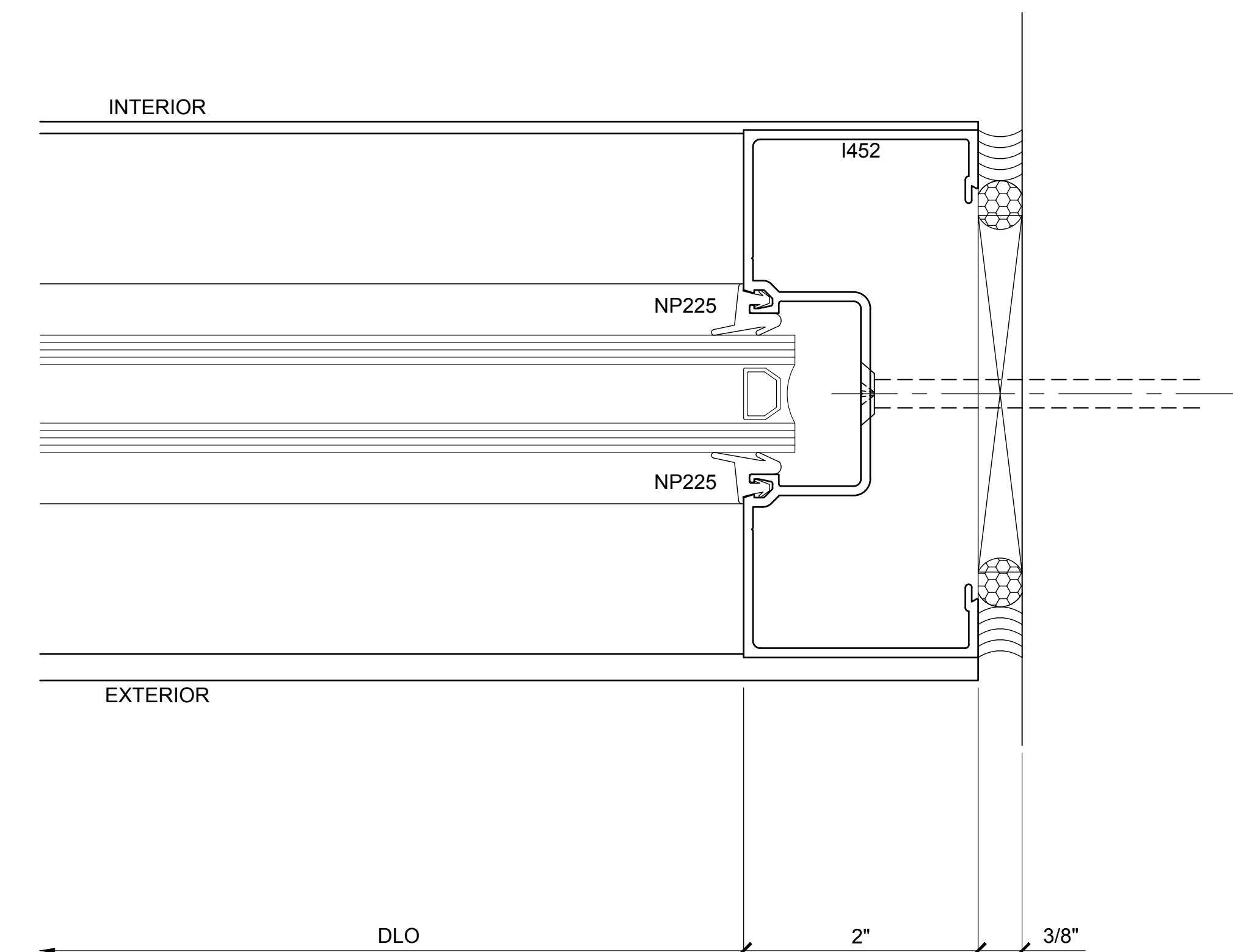
4A DOOR PIVOT JAMB SIDELITE DETAIL

ARCH REF: N/A 1'-0"=1'-0"



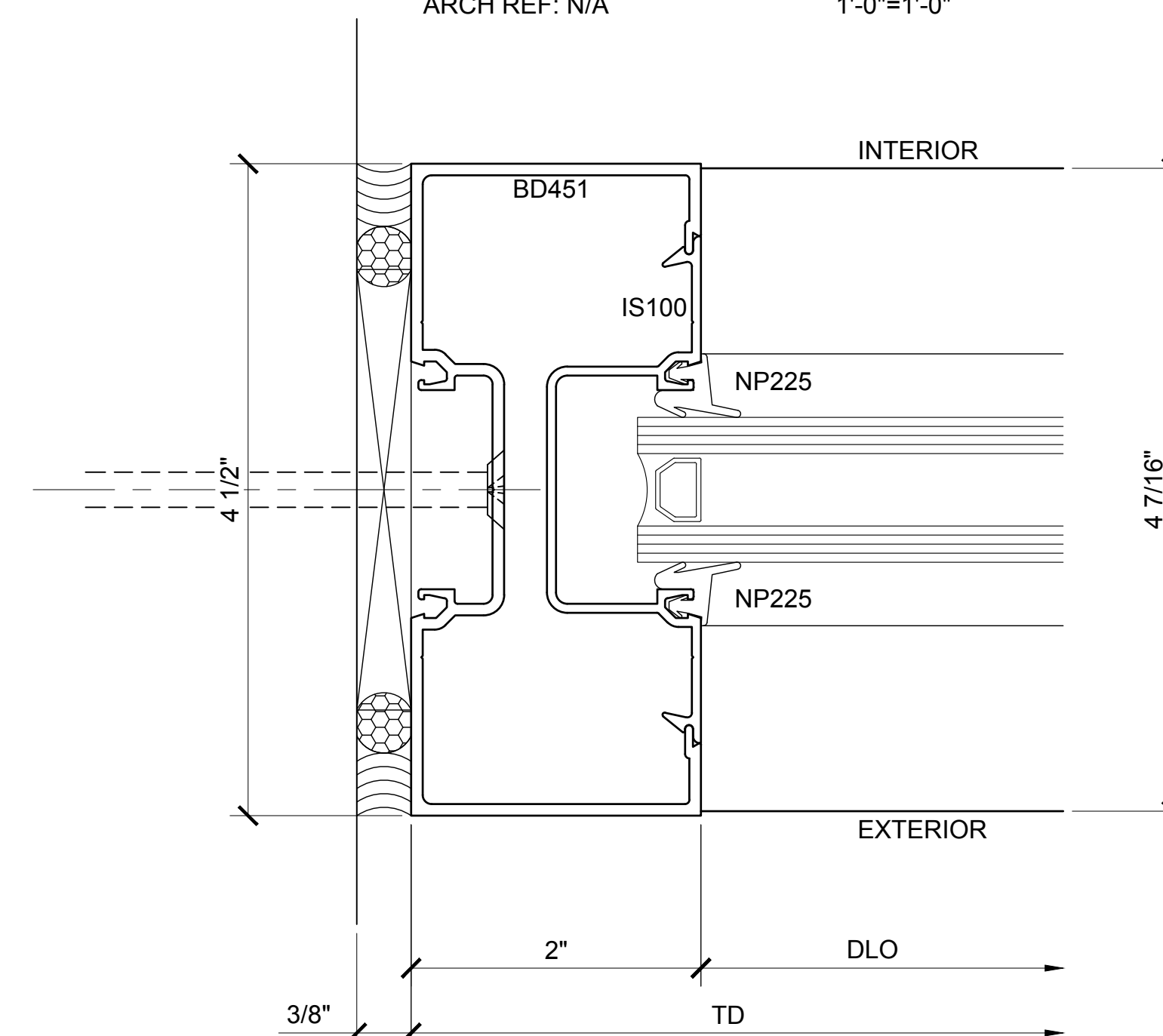
4B DOOR STRIKE JAMB AT SIDELIGHT DETAIL

ARCH REF: N/A 1'-0"=1'-0"



3A JAMB DETAIL

ARCH REF: N/A 1'-0"=1'-0"



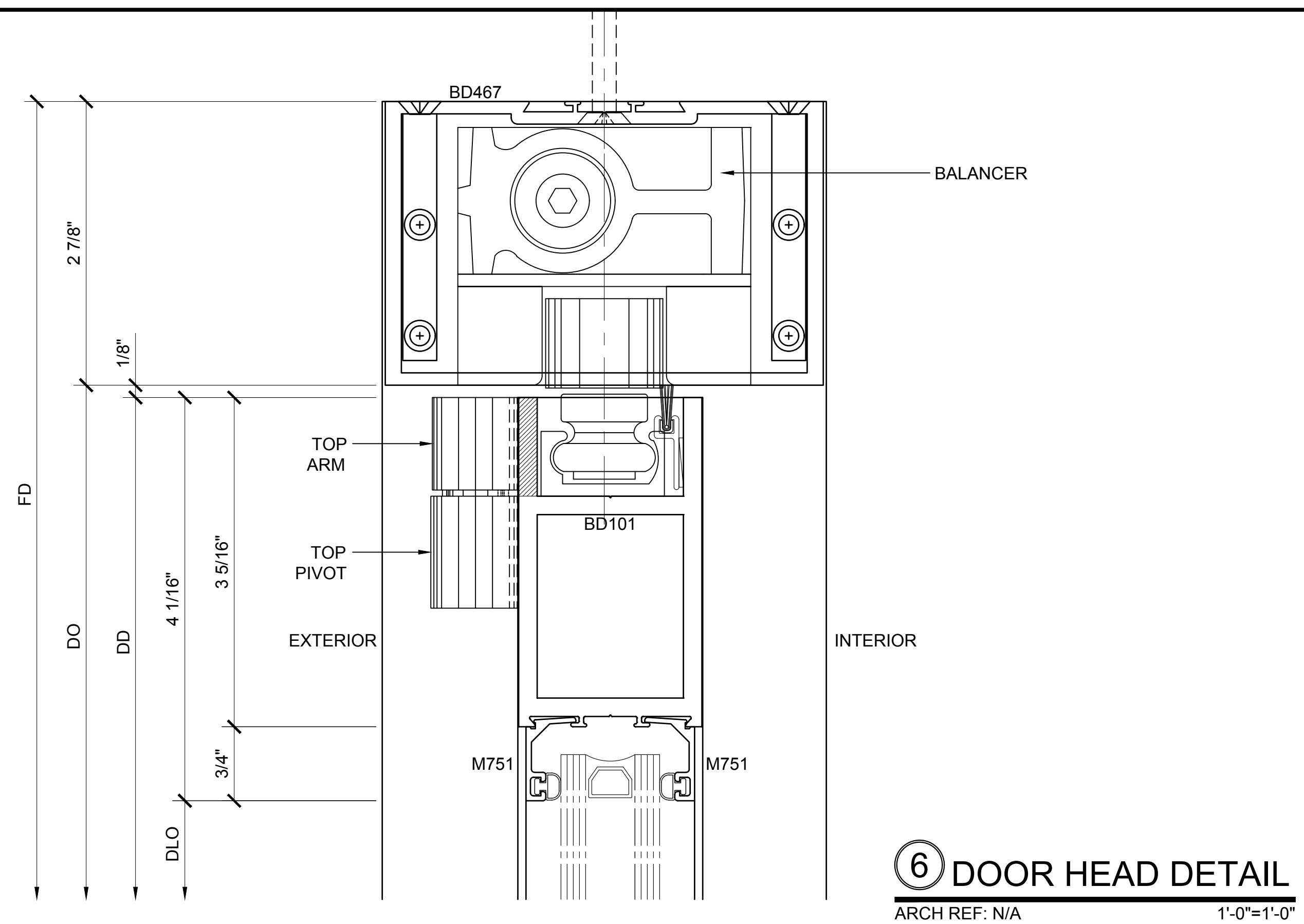
5 TRANSOM DETAIL

ARCH REF: N/A 1'-0"=1'-0"

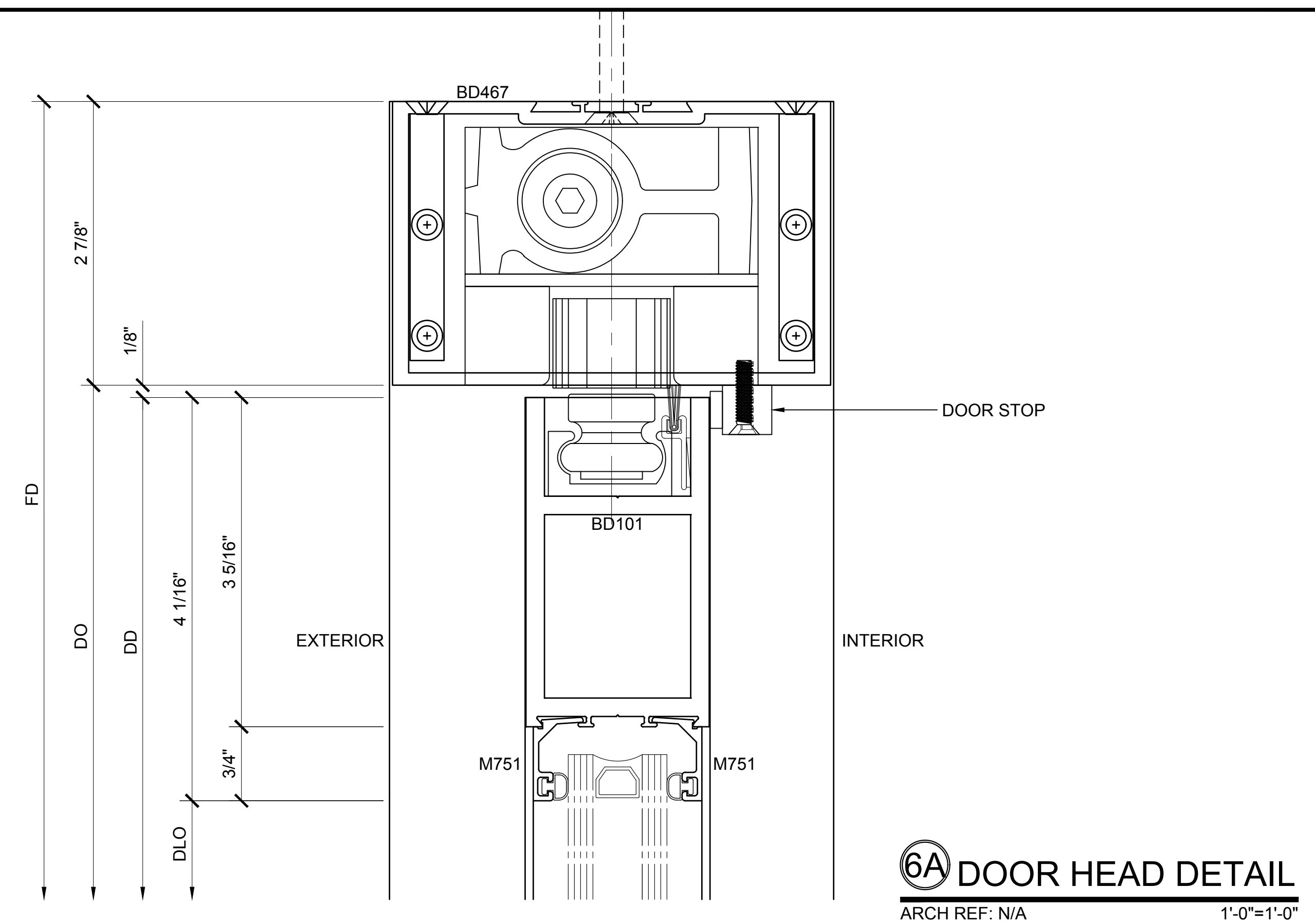
Description:
CRL BALANCER SERIES
BALANCED DOOR
U.S. ALUMINUM RAIL & STILE

Drawn By: TG
Date: 01/15/16
Scale: AS NOTED
File Name: PS BD - U.S. ALUM RAIL & STILE.dwg

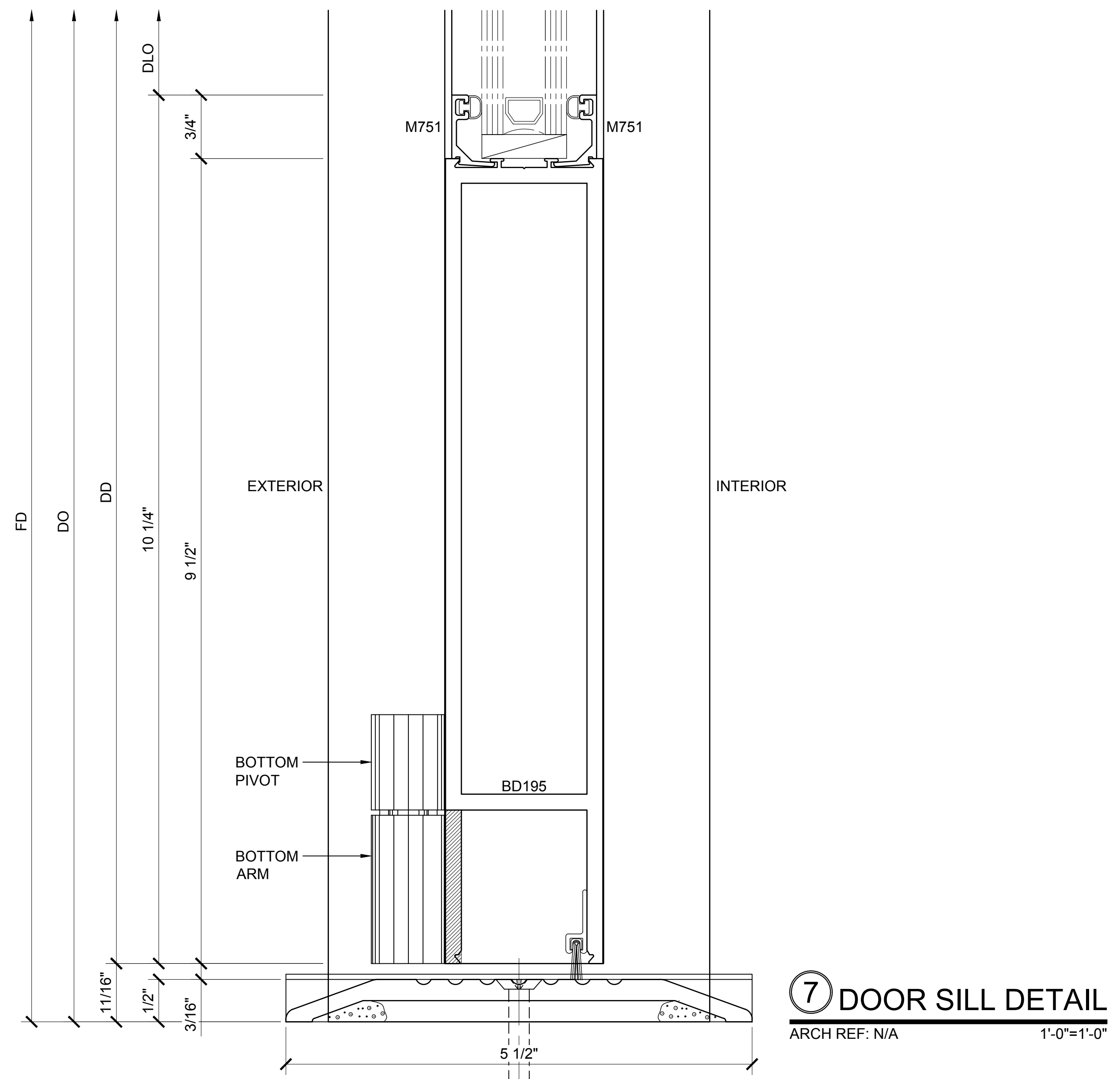
Sheet



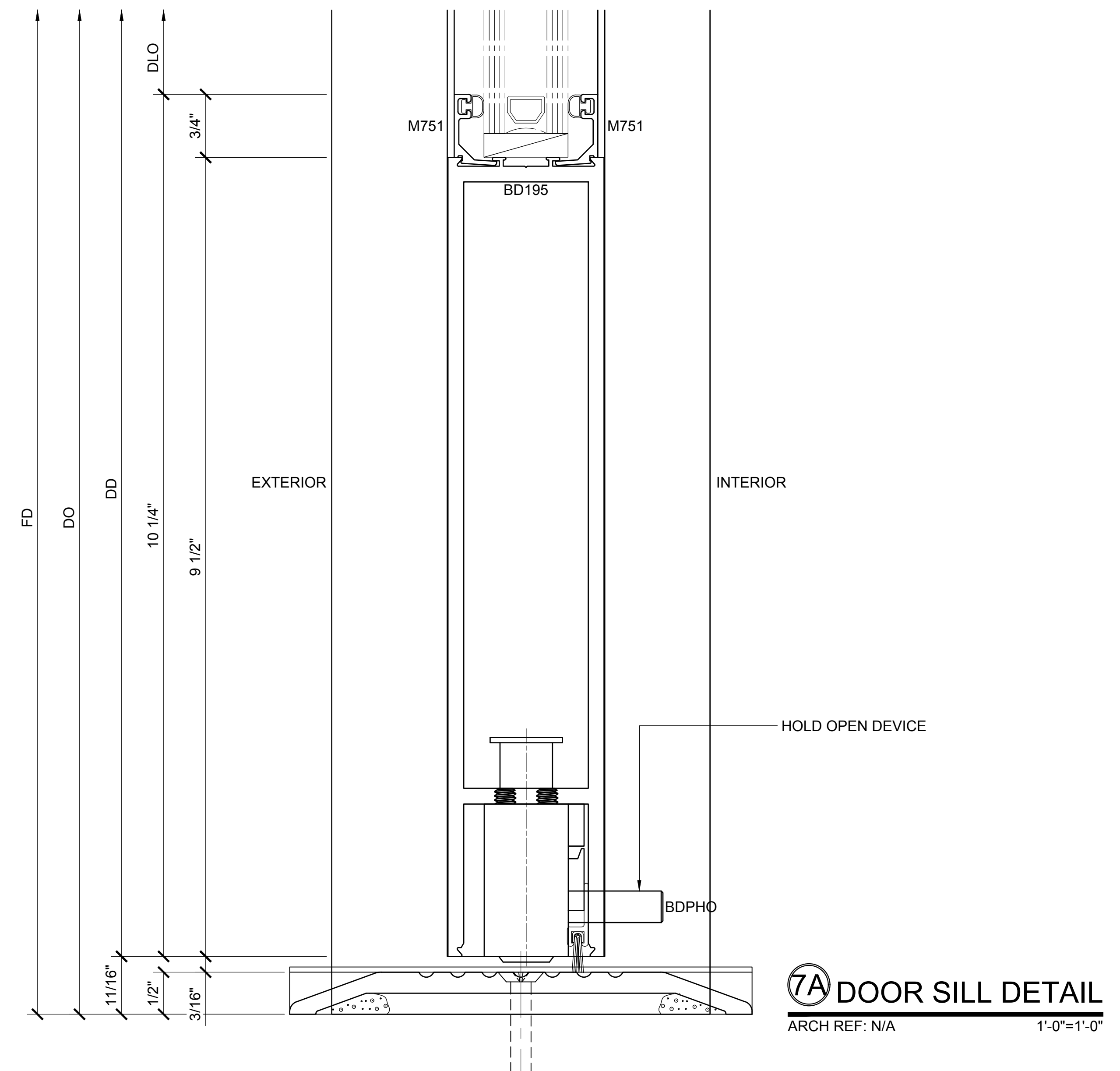
6 DOOR HEAD DETAIL
 ARCH REF: N/A 1'-0"=1'-0"



6A DOOR HEAD DETAIL
 ARCH REF: N/A 1'-0"=1'-0"



7 DOOR SILL DETAIL
 ARCH REF: N/A 1'-0"=1'-0"



7A DOOR SILL DETAIL
 ARCH REF: N/A 1'-0"=1'-0"

BALANCER SERIES ALUMINUM RAIL & STILE BALANCED DOORS DETAILS / 4-1/2" JAMB / CONCEALED SHAFT

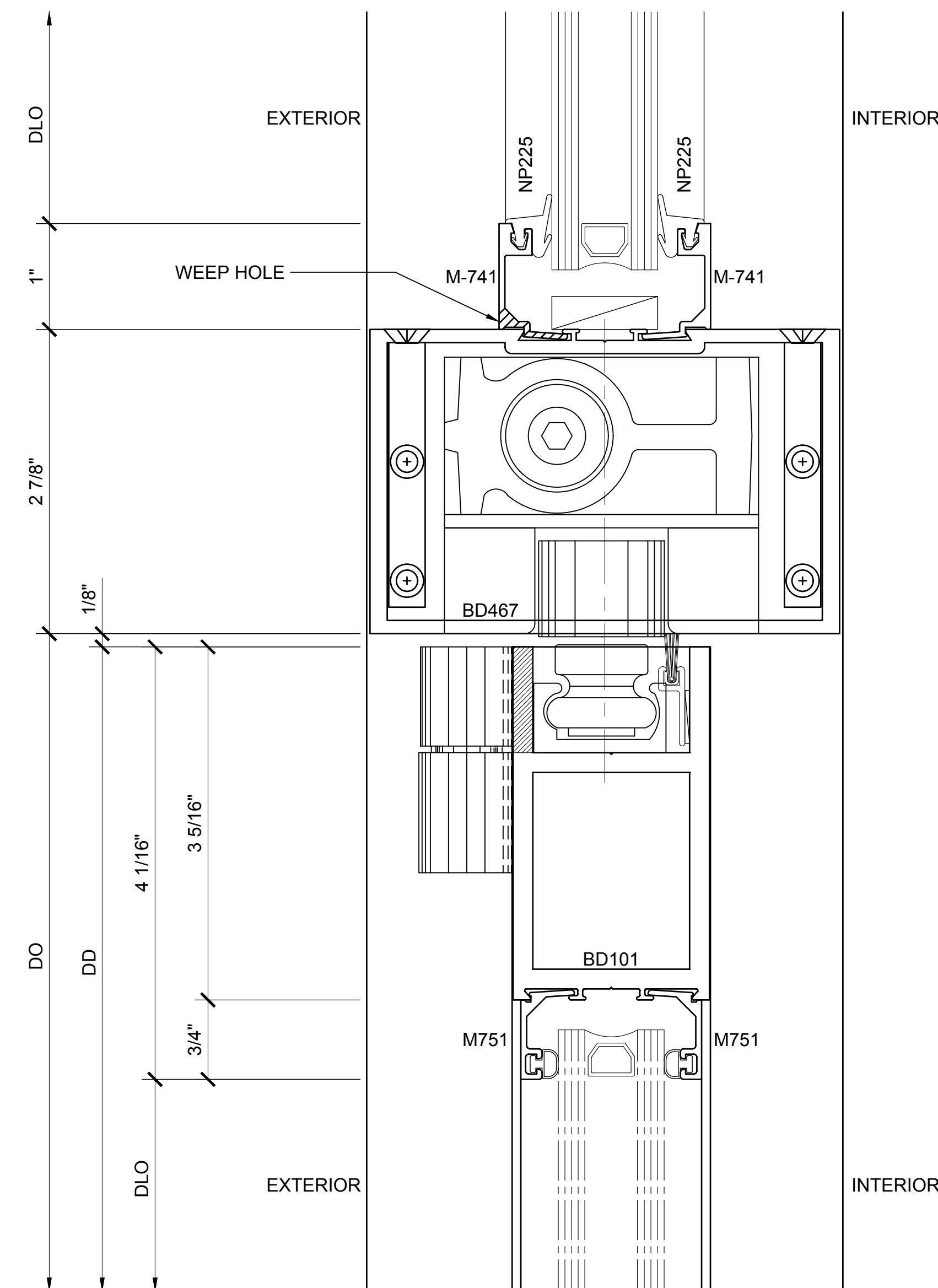
Revisions By:



C.R. LAURENCE CO. ARCHITECTURAL PRODUCTS
 2503 E. Vermon Avenue, Los Angeles, CA 90058-1897
 PH: (800)-421-6144 FX: 800-587-7301 www.crlaurence.com

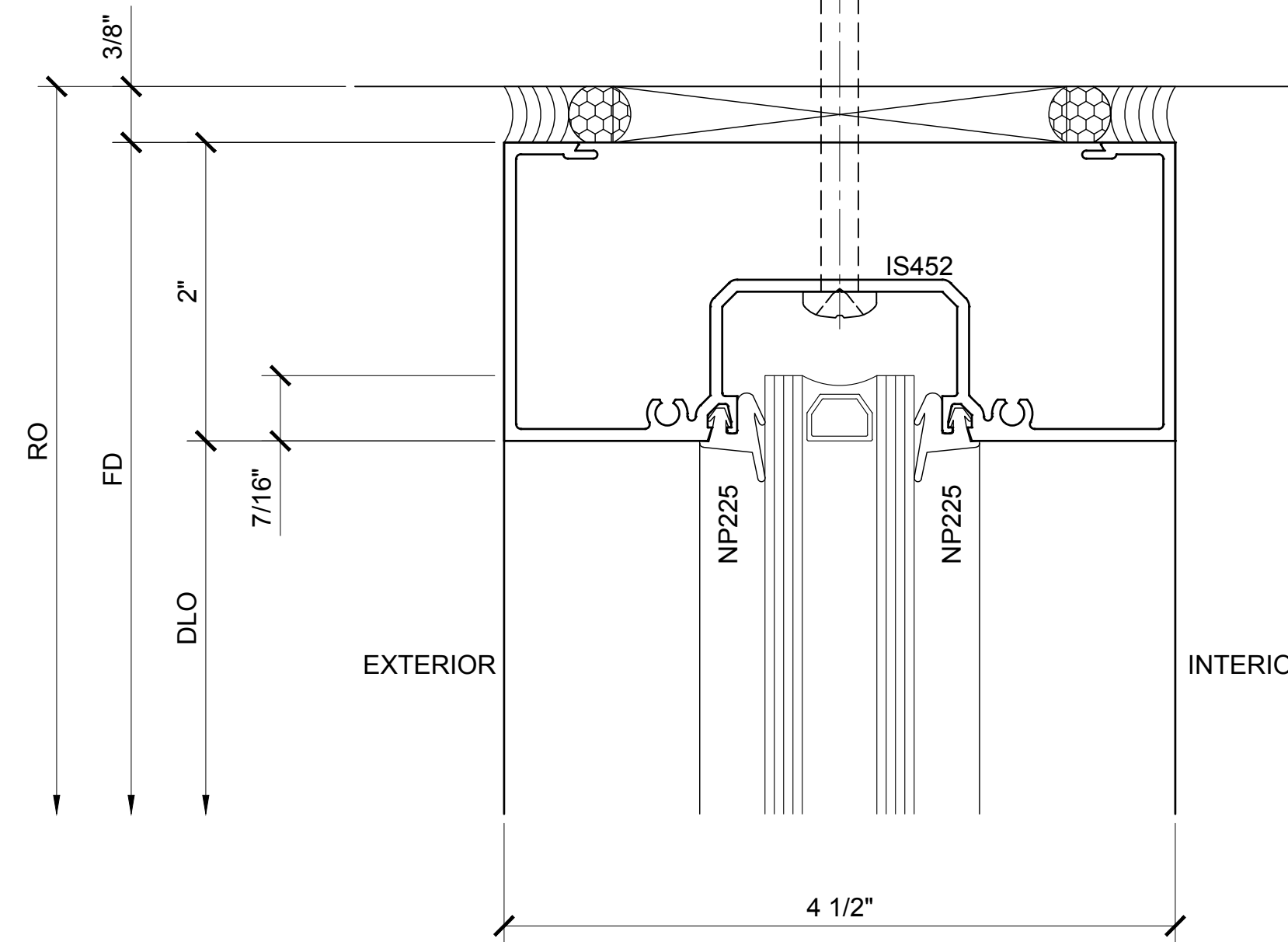
Description:
 CRL BALANCER SERIES
 BALANCED DOOR
 U.S. ALUMINUM RAIL & STILE

Drawn By: TG
 Date: 01/15/16
 Scale: AS NOTED
 File Name: PS BD - U.S. ALUM RAIL & STILE.dwg
 Sheet



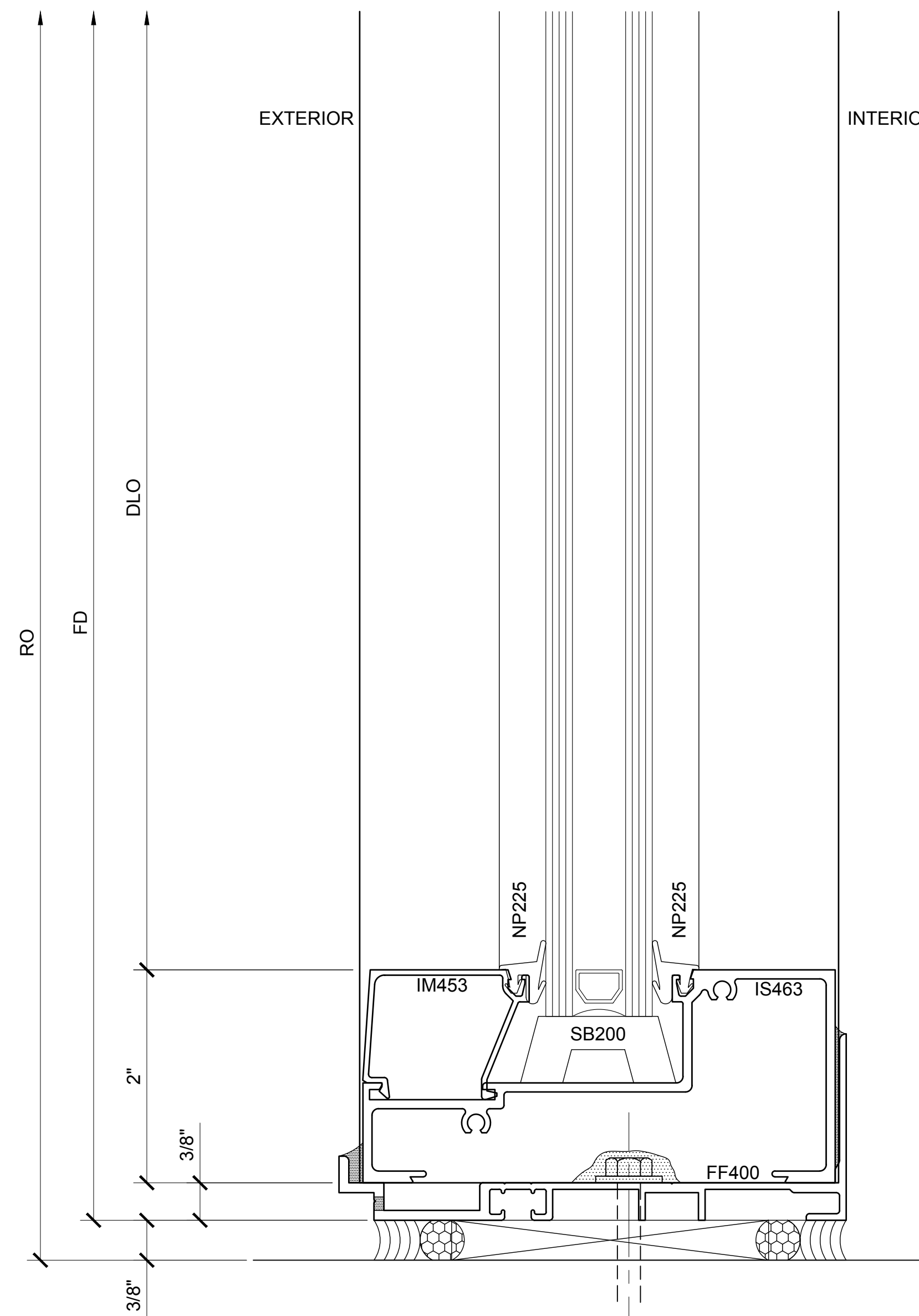
9 DOOR HEAD DETAIL AT TRANSOM

ARCH REF: N/A 1'-0"=1'-0"



8 HEAD DETAIL

ARCH REF: N/A 1'-0"=1'-0"



10 SILL DETAIL AT SIDELITE

ARCH REF: N/A 1'-0"=1'-0"

BALANCER SERIES ALUMINUM RAIL & STILE BALANCED DOORS DETAILS / 5" JAMB / CONCEALED SHAFT

Revisions By:

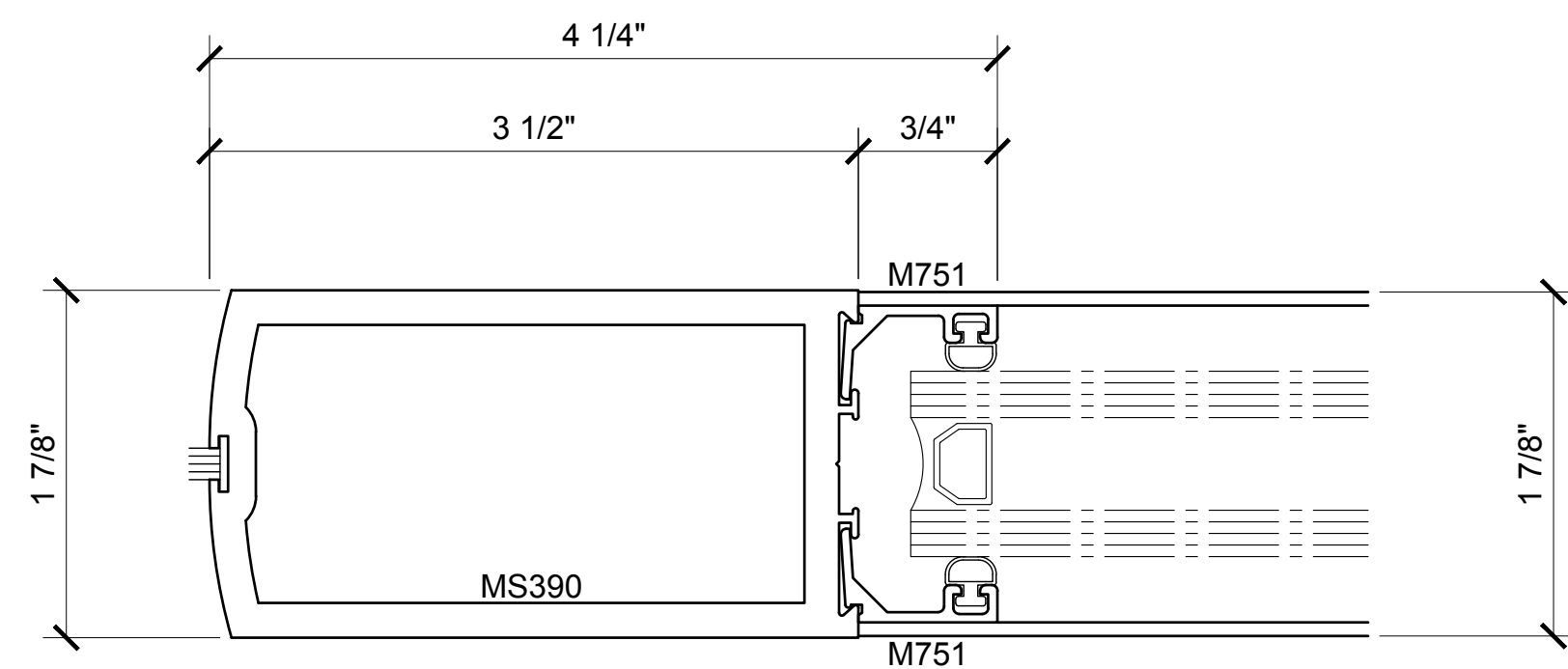


C.R. LAURENCE CO. ARCHITECTURAL PRODUCTS
2503 E. Vermon Avenue, Los Angeles, CA 90058-1897
PH: (800)-421-6144 FX: 800-587-7301 www.crlaurence.com

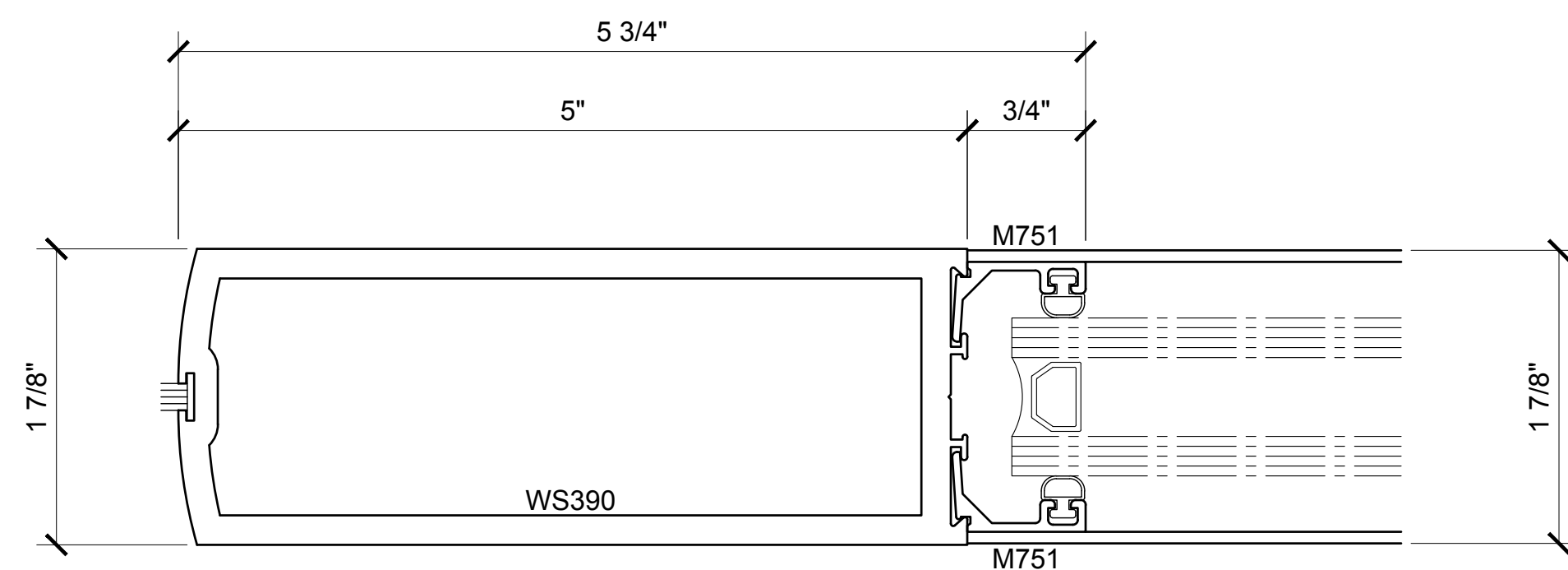
Discription:
CRL BALANCER SERIES
BALANCED DOOR
U.S. ALUMINUM RAIL & STILE

Drawn By: TG
Date: 01/15/16
Scale: AS NOTED
File Name: PS BD - U.S. ALUM RAIL & STILE.dwg

Sheet

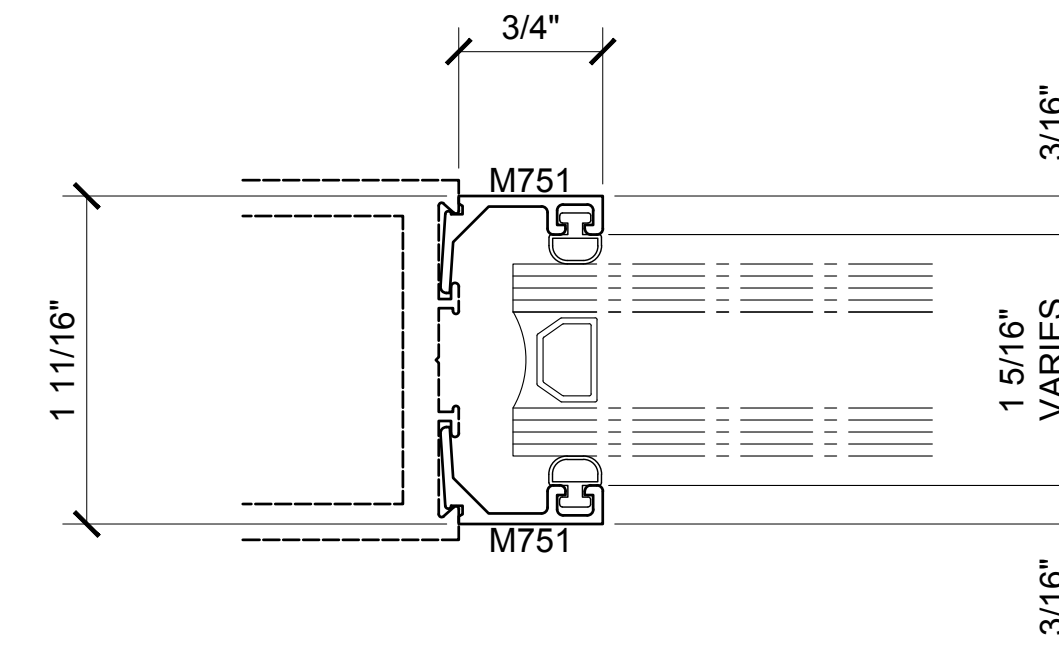


MEDIUM STILE

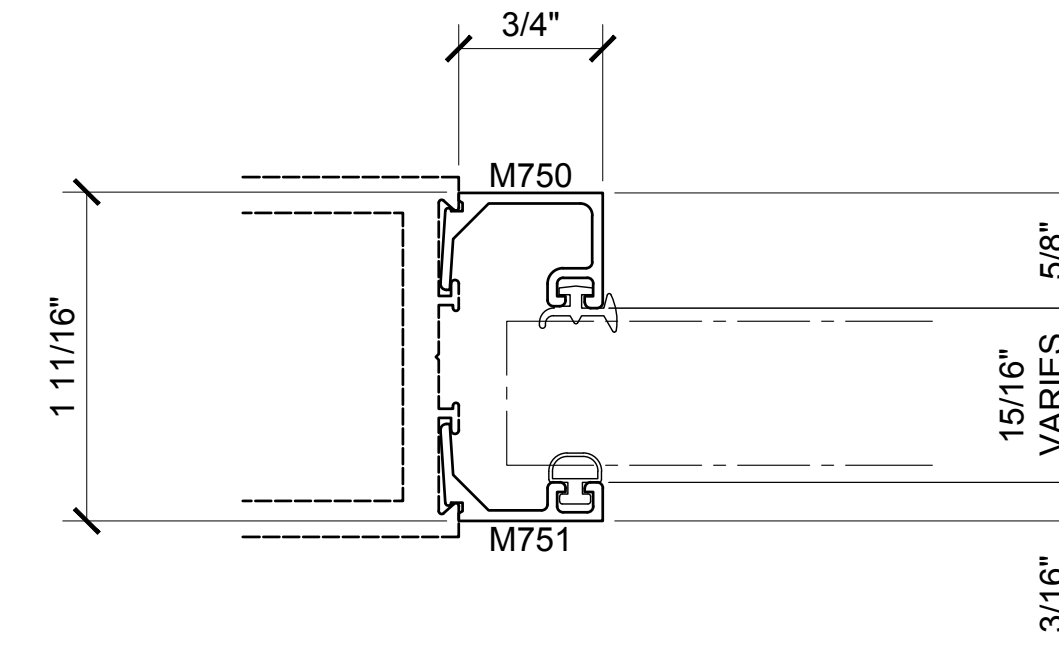


WIDE STILE

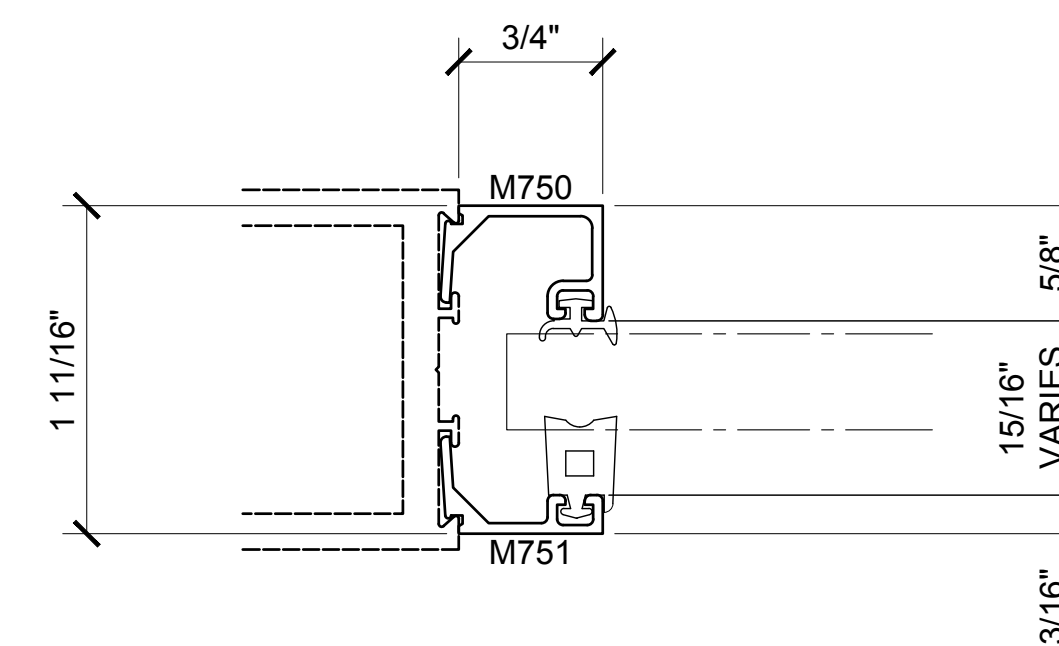
STANDARD STILES (SHOWN WITH GLASS STOPS FOR 1" GLASS)



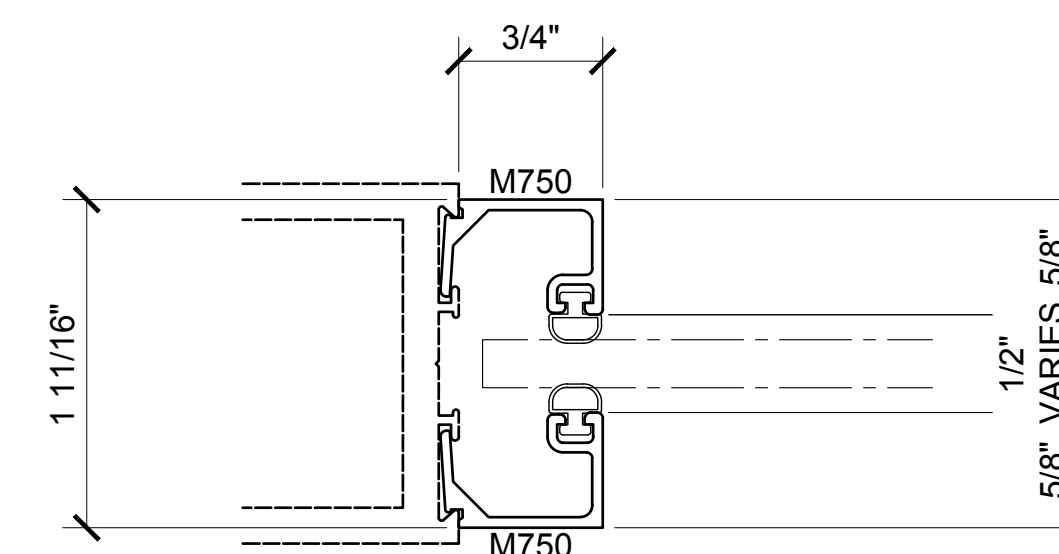
GLASS STOPS FOR 1" GLASS



GLASS STOPS FOR 3/4" GLASS



GLASS STOPS FOR 1/2" GLASS



GLASS STOPS FOR 1/4" GLASS

GLASS STOP OPTIONS

STANDARD STILES & GLASS STOP OPTIONS FOR 1", 3/4", 1/2", 1/4", THICK GLASS

Revisions By:

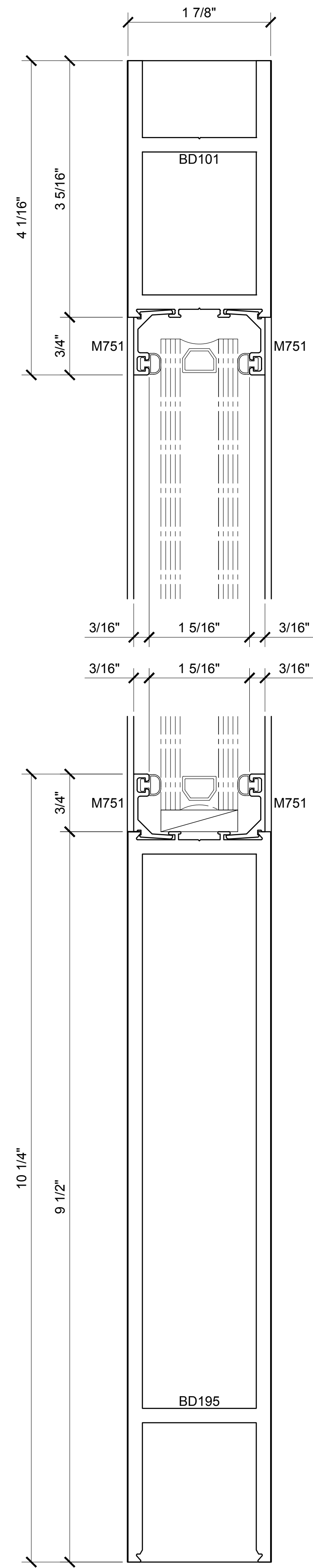


Description:
CRL BALANCER SERIES
BALANCED DOOR
U.S. ALUMINUM RAIL & STILE

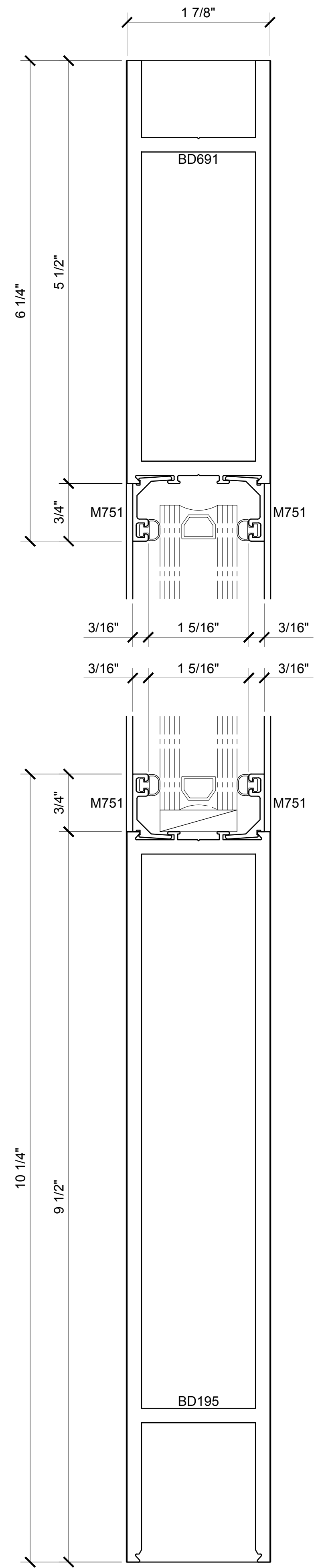
Drawn By: TG
Date: 01/15/16
Scale: AS NOTED
File Name: PS BD - U.S. ALUM RAIL & STILE.dwg

Sheet

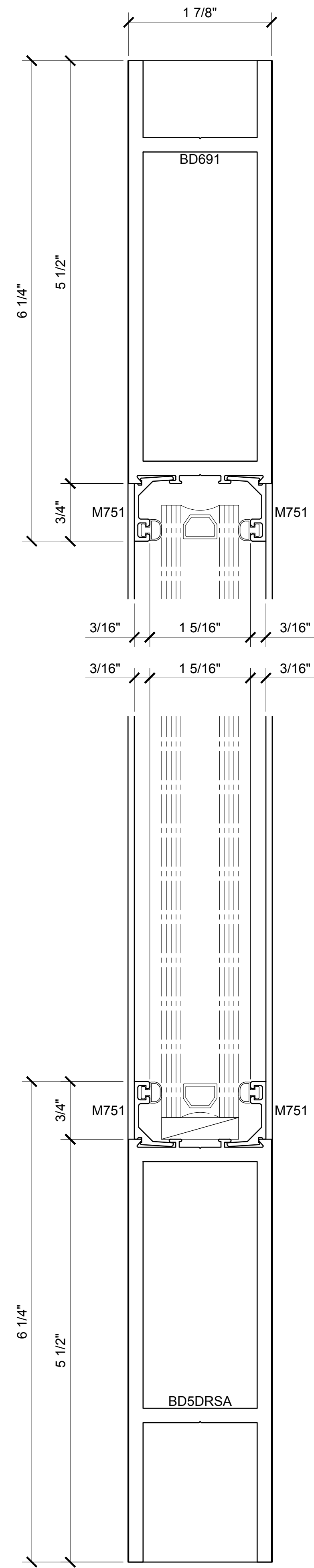
1.05



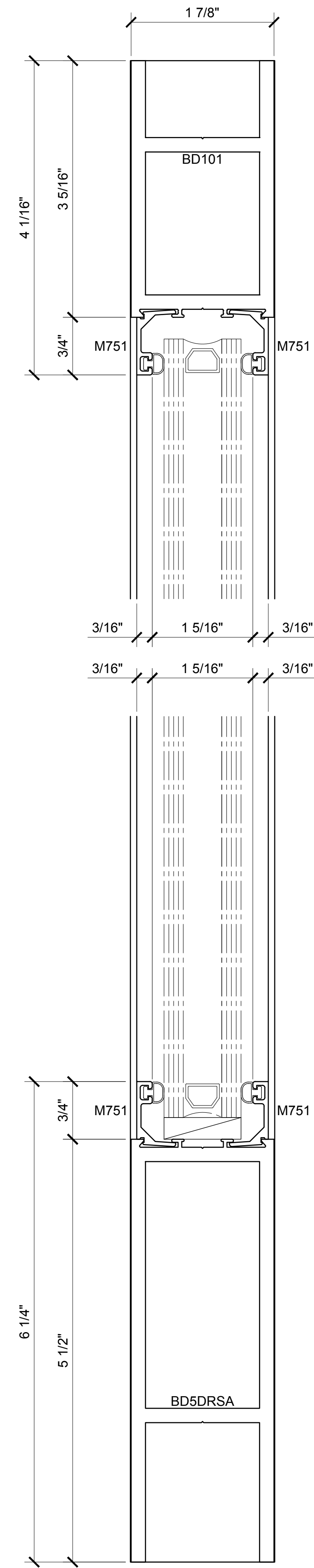
OPTION 1



OPTION 2



OPTION 3



OPTION 4

STANDARD RAILS (SHOWN WITH GLASS STOPS FOR 1" THICK GLASS)

Revisions By:



C.R. LAURENCE CO. ARCHITECTURAL PRODUCTS
 2503 E. Vermon Avenue, Los Angeles, CA 90058-1897
 PH (800)-421-6144 FX (800)-587-7301 www.crlaurence.com

Description:
 CRL BALANCER SERIES
 BALANCED DOOR
 U.S. ALUMINUM RAIL & STILE

Drawn By: TG
 Date: 01/15/16
 Scale: AS NOTED
 File Name: PS BD - U.S. ALUM RAIL & STILE.dwg

Sheet

1.06