

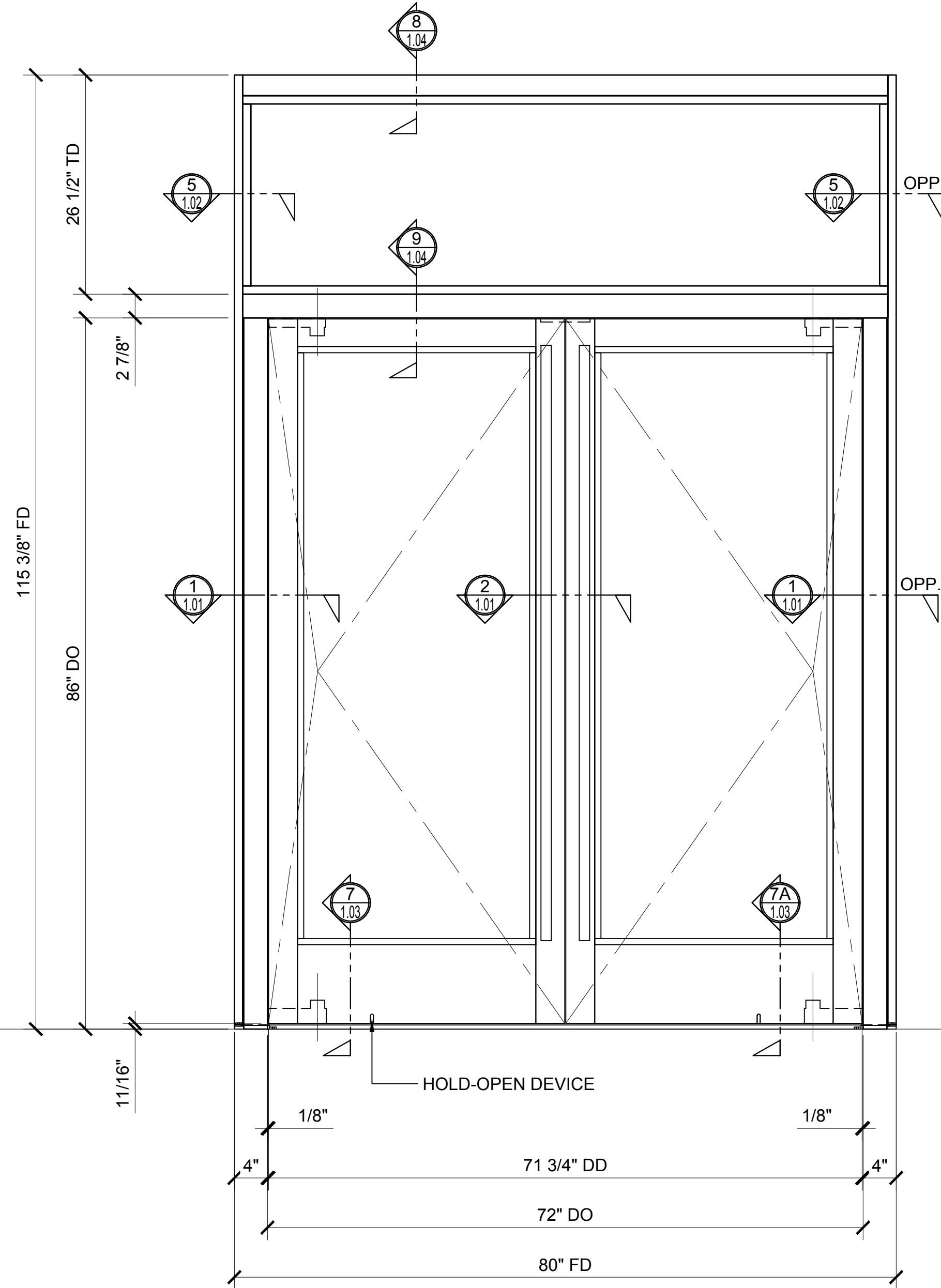


**CRL BALANCER SERIES BALANCED DOOR  
ALUMINUM RAIL & STILE WITH EXPOSED SHAFT**

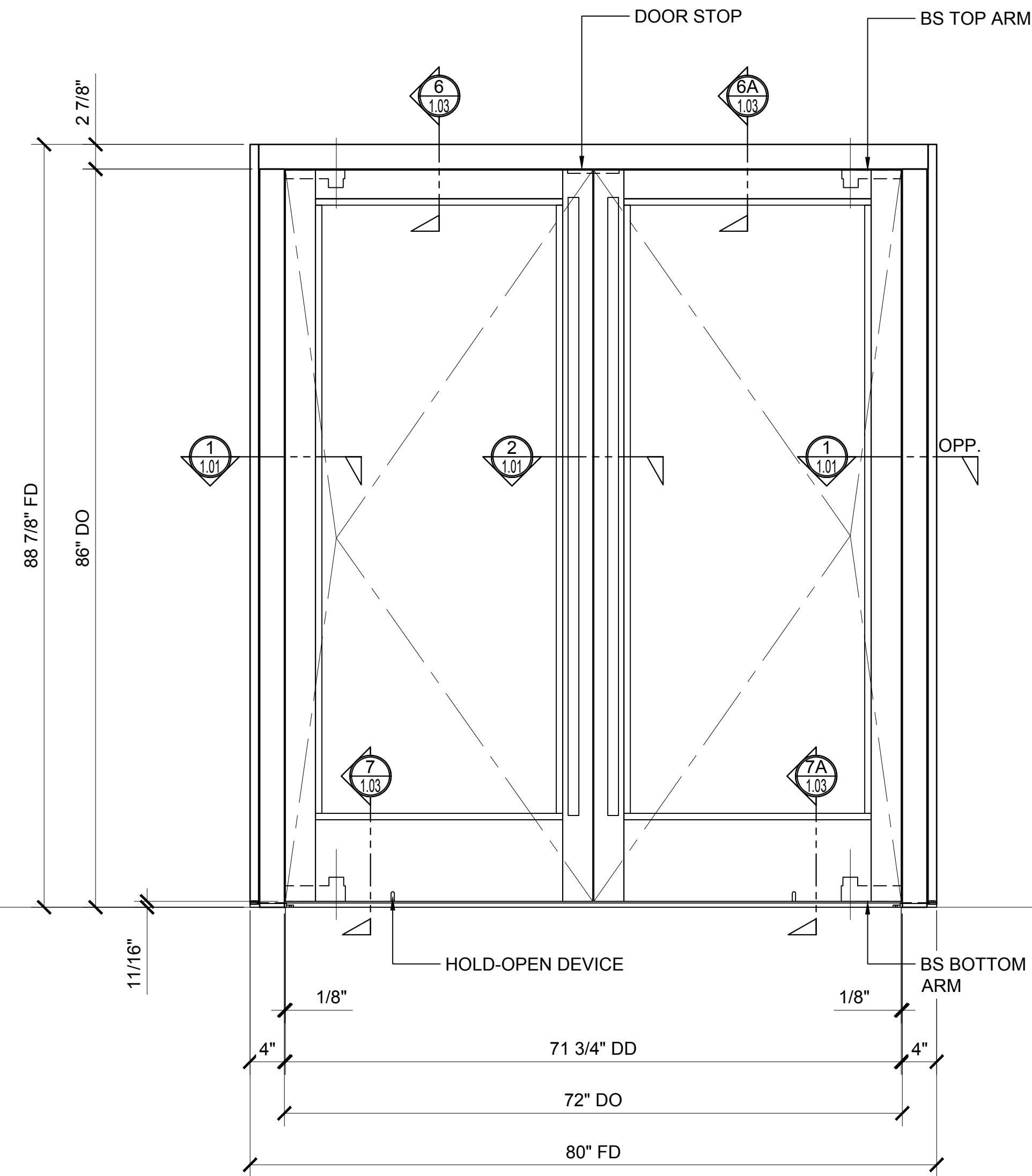
Revisions By:



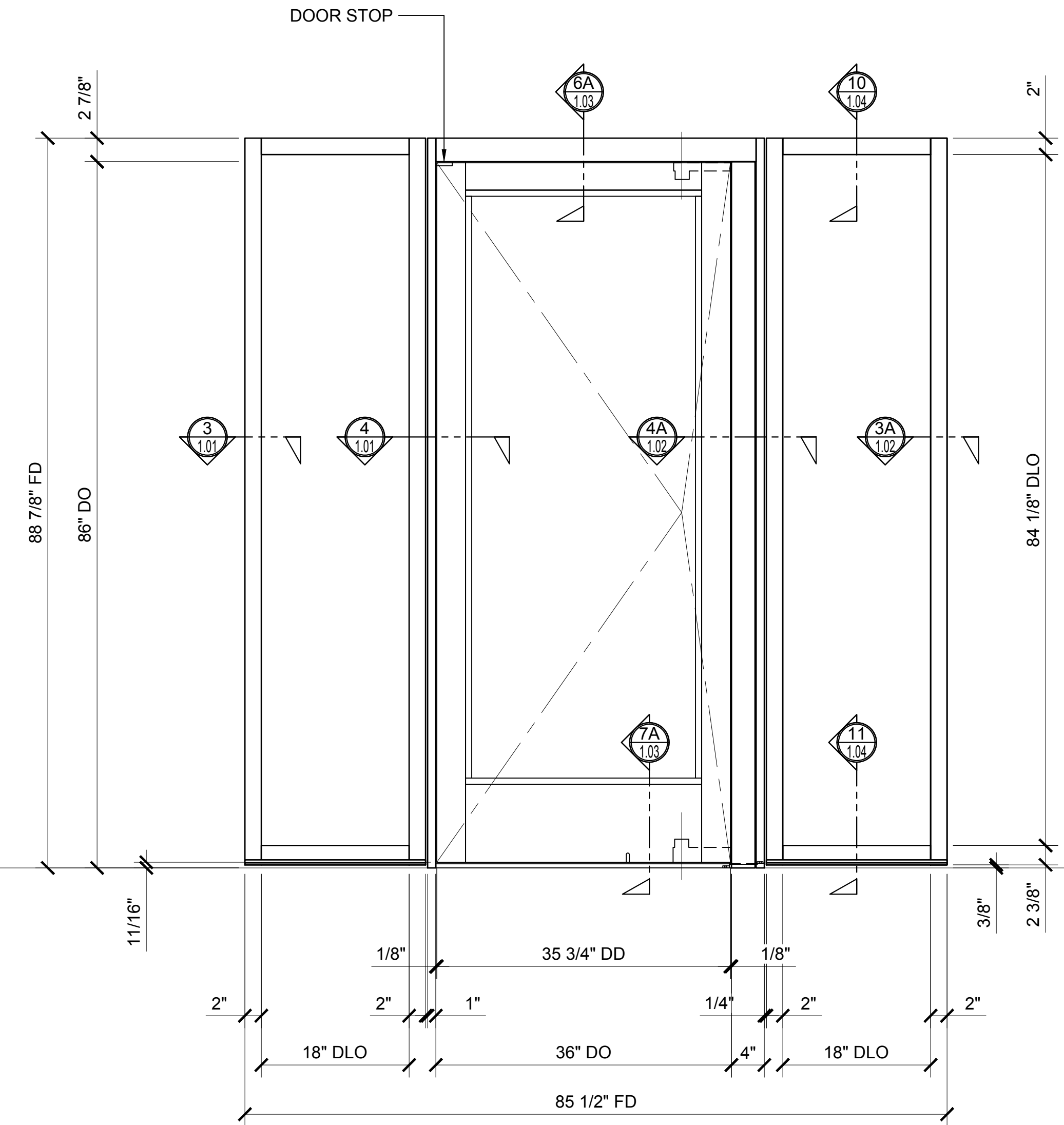
C.R. LAURENCE CO. ARCHITECTURAL PRODUCTS  
2503 E. Vermont Avenue, Los Angeles, CA 90058-1897  
PH: (800)-421-6144 FX: (800)-587-7301 www.crlaurence.com



**CRL BALANCER SERIES BALANCED DOOR  
U.S. ALUMINUM RAIL & STILE WITH EXPOSED SHAFT  
DOOR PAIR WITH TRANSOM ELEVATION**



**CRL BALANCER SERIES BALANCED DOOR  
U.S. ALUMINUM RAIL & STILE WITH EXPOSED SHAFT  
DOOR PAIR ELEVATION**



**CRL BALANCER SERIES BALANCED DOOR  
U.S. ALUMINUM RAIL & STILE WITH EXPOSED SHAFT  
SINGLE DOOR WITH SIDELIGHTS ELEVATION**

**STANDARD ABBREVIATIONS**

RO	ROUGH OPENING
FD	FRAME DIMENSION
DLO	DAYLIGHT OPENING
DO	DOOR OPENING
DD	DOOR DIMENSION
TD	TRANSOM DIMENSION
DP	DIMENSION POINT
SMC	SURFACE MOUNTED CLOSER
OHCC	OVERHEAD CONCEALED CLOSER

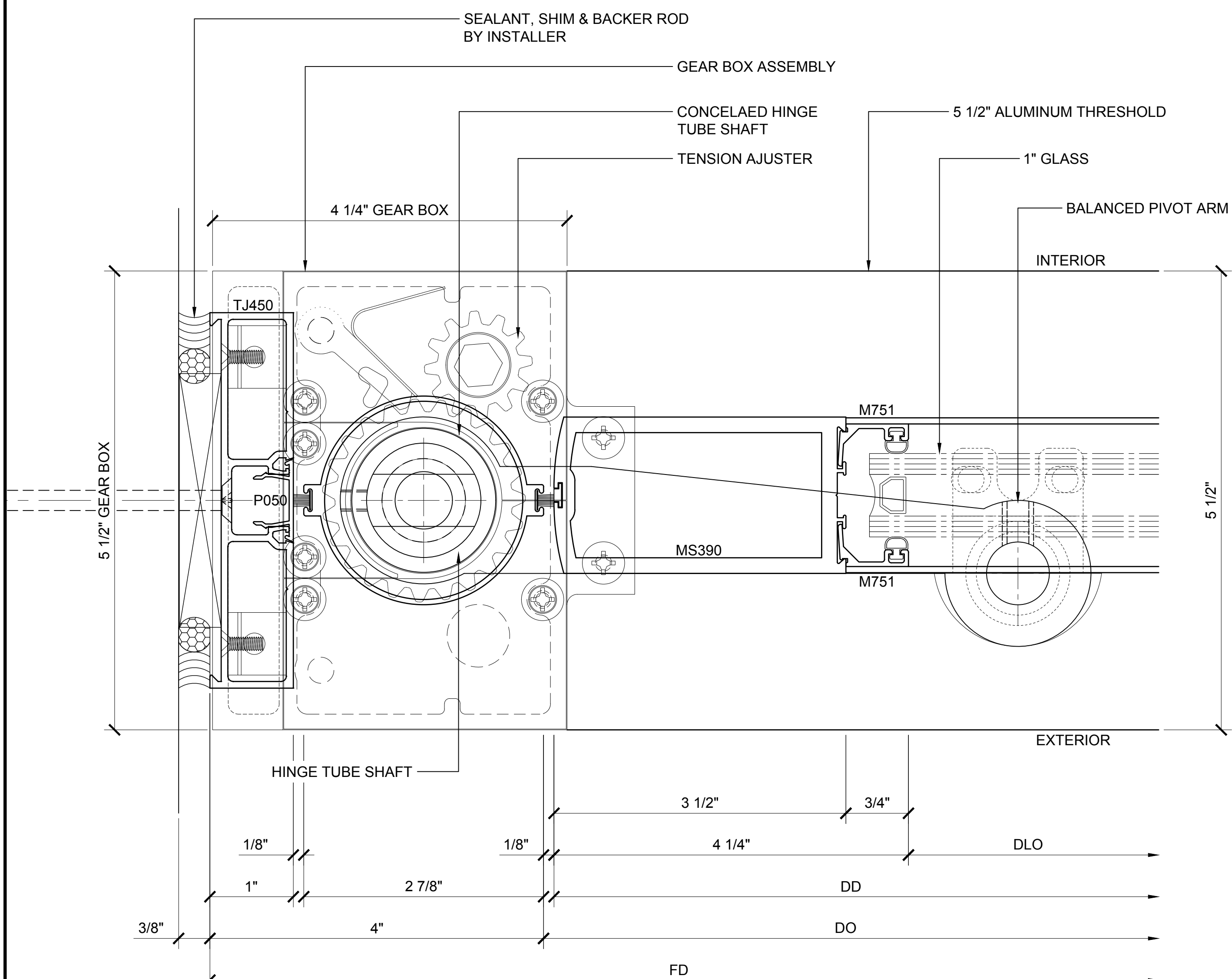
Description:

CRL BALANCER SERIES  
BALANCED DOOR  
U.S. ALUMINUM RAIL & STILE

Drawn By: TG  
Date: 01/15/16  
Scale: AS NOTED  
File Name: PS BD - U.S. ALUM RAIL & STILE.dwg

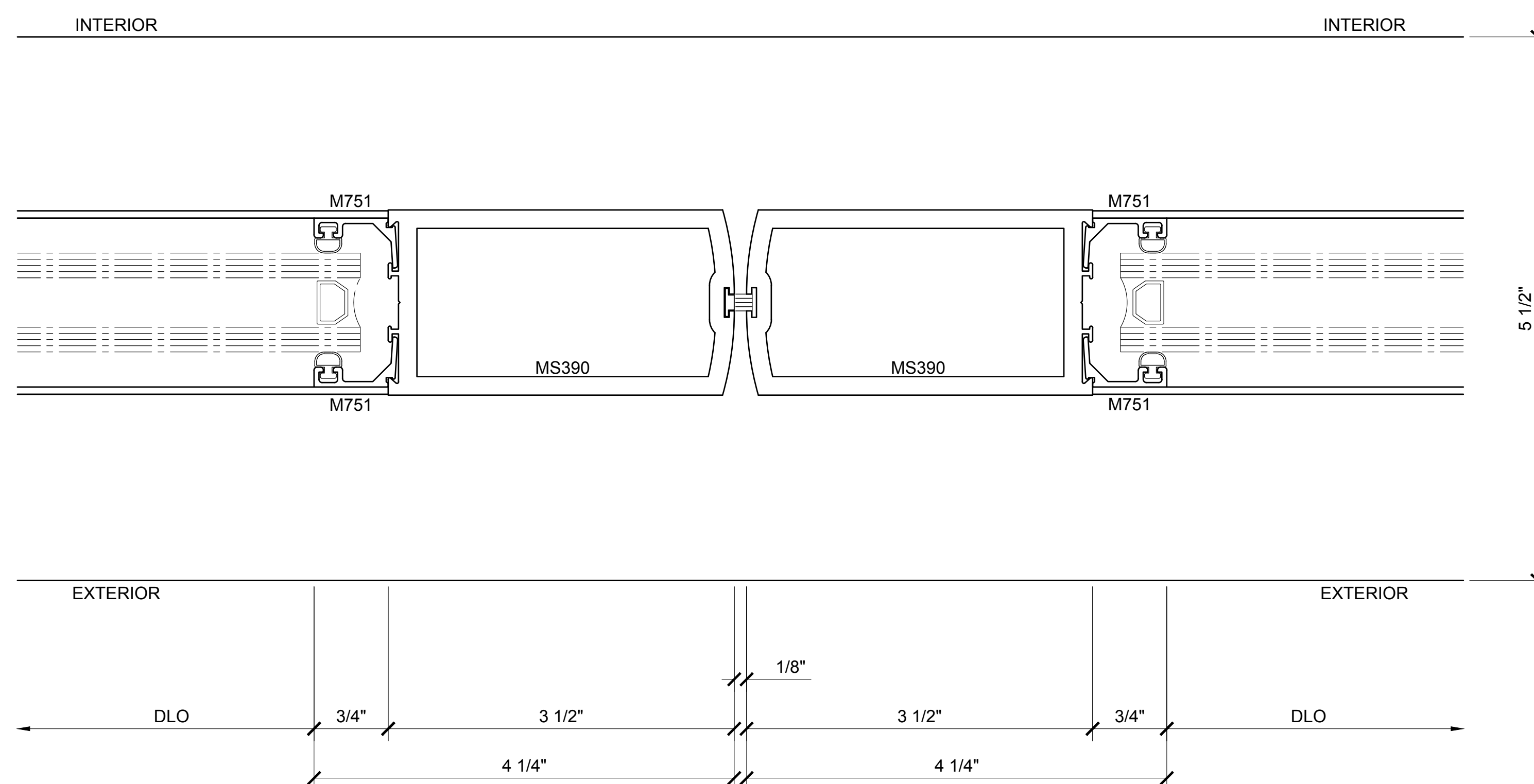
Sheet

Revisions By:



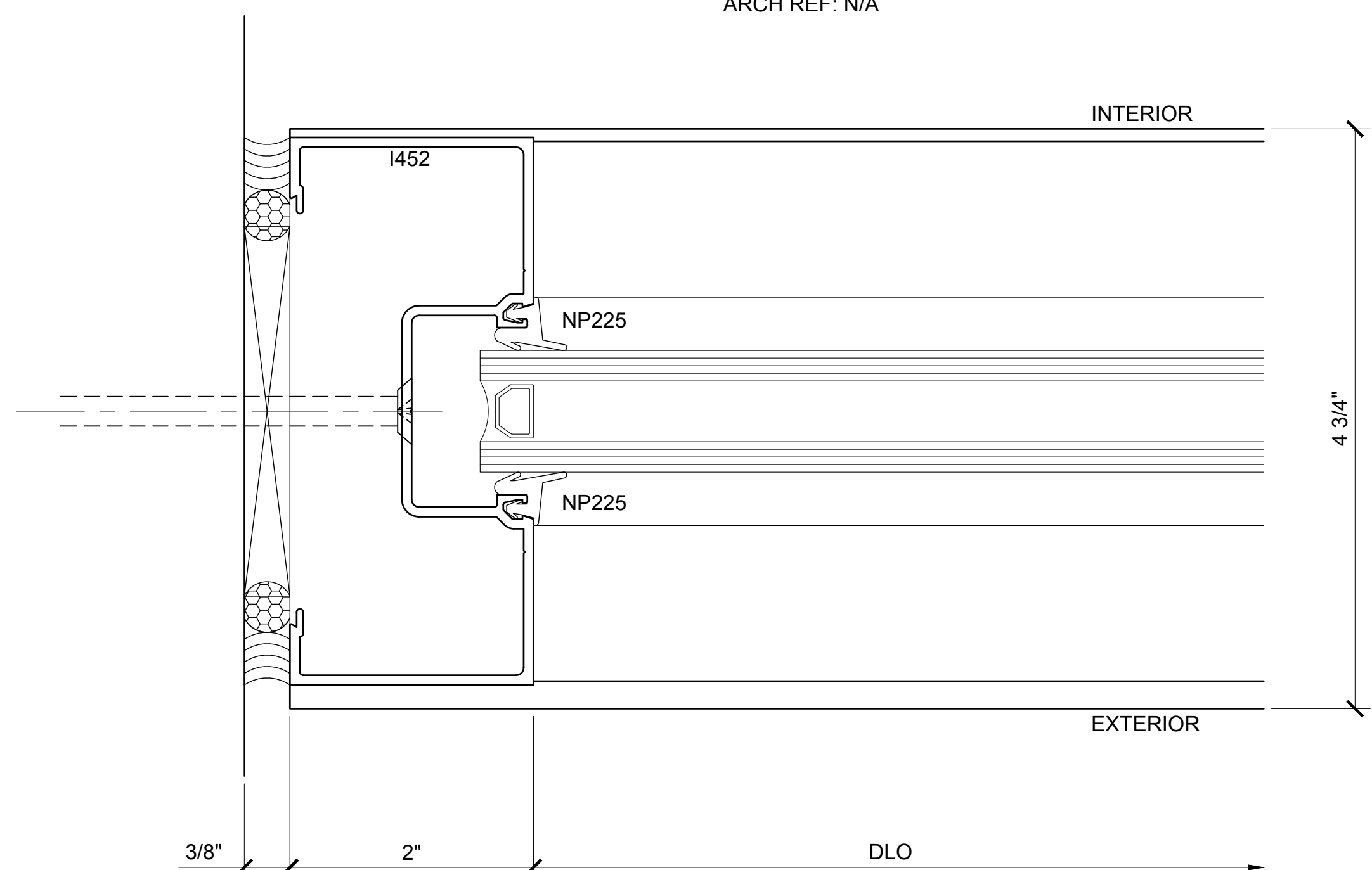
① DOOR PIVOT JAMB DETAIL

ARCH REF: N/A 1'-0"=1'-0"



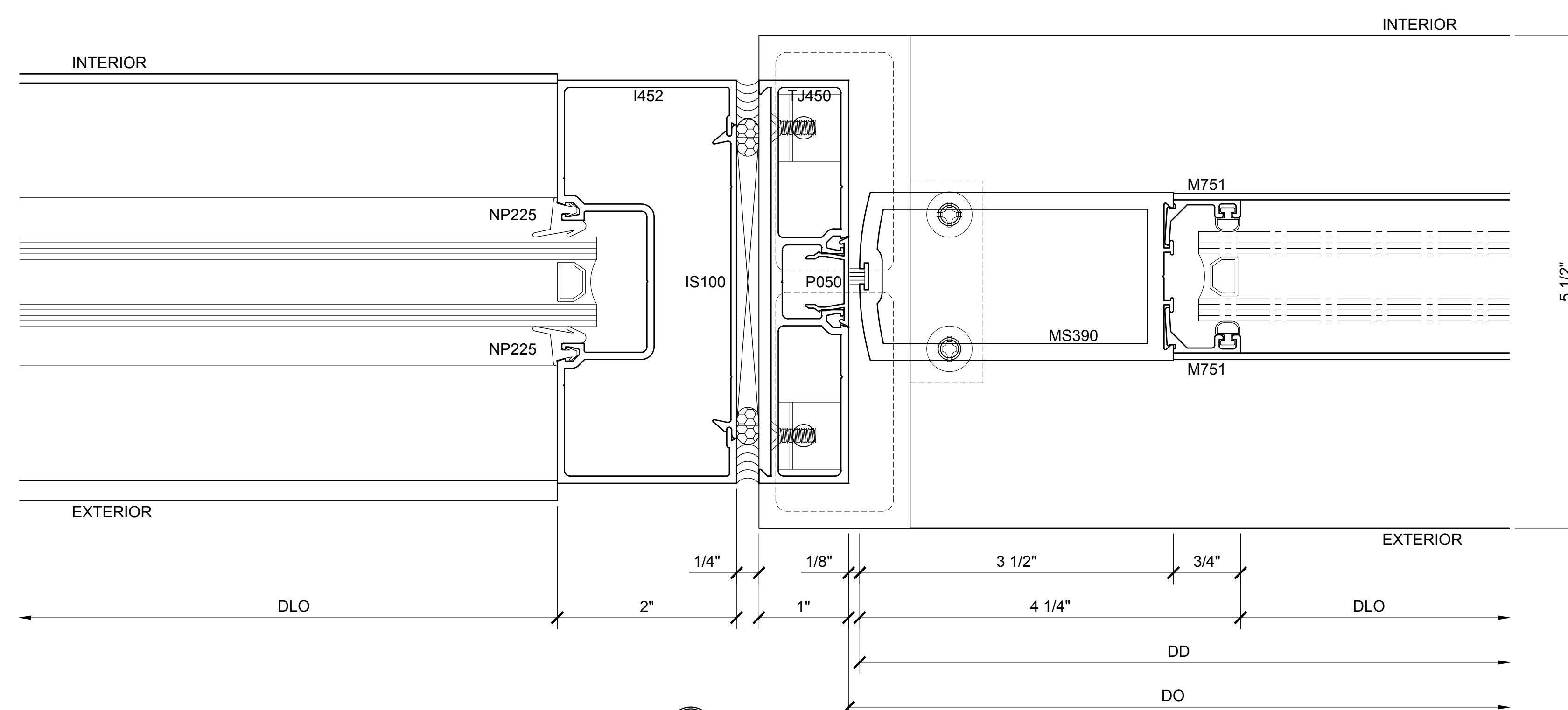
② MEETING STILES DATAIL

ARCH REF: N/A 1'-0"=1'-0"



③ JAMB DETAIL AT SIDELIGHT

ARCH REF: N/A 1'-0"=1'-0"



④ DOOR STRIKE JAMB AT SIDELIGHT DETAIL

ARCH REF: N/A 1'-0"=1'-0"

BALANCER SERIES ALUMINUM RAIL & STILE BALANCED DOORS DETAILS / 4-1/2" JAMB / EXPOSED SHAFT

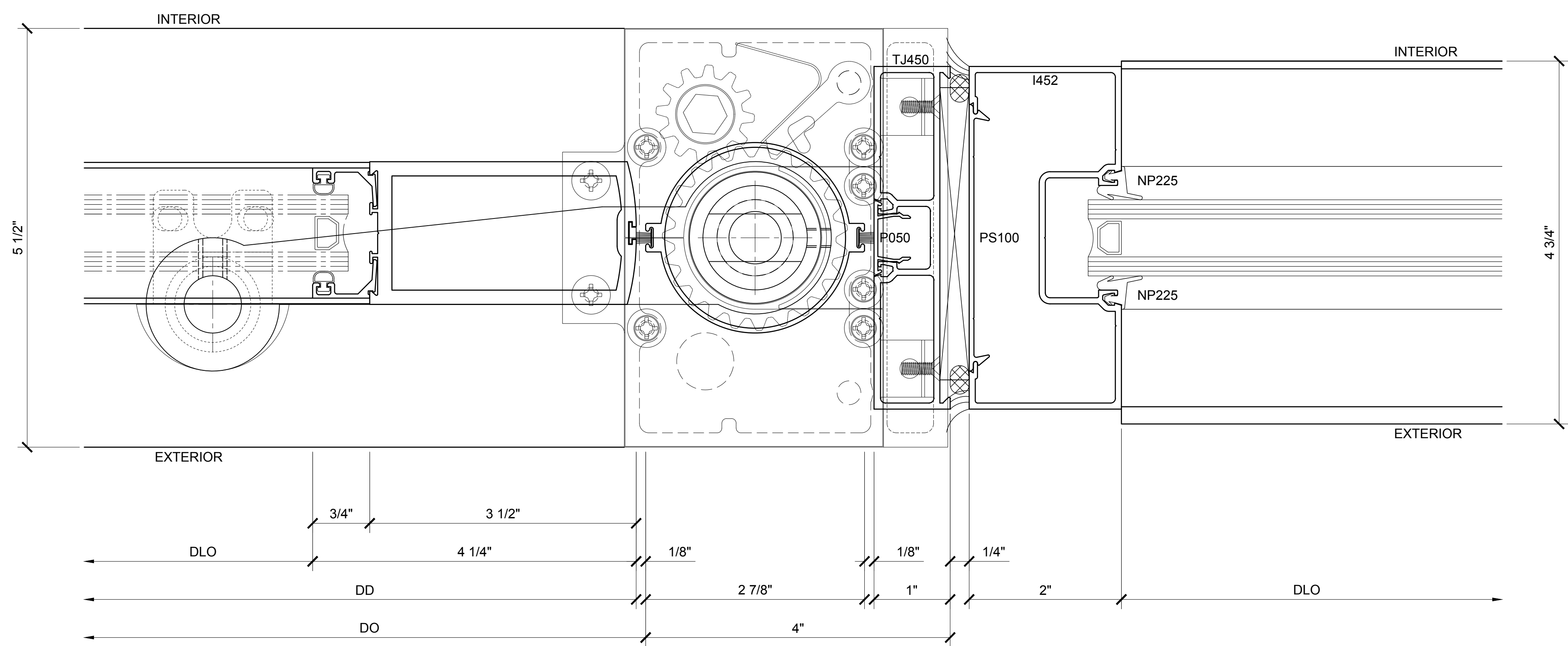
Description:  
CRL BALANCER SERIES  
BALANCED DOOR  
U.S. ALUMINUM RAIL & STILE

Drawn By: TG  
Date: 01/15/16  
Scale: AS NOTED  
File Name: PS BD - U.S. ALUM RAIL & STILE.dwg

Sheet

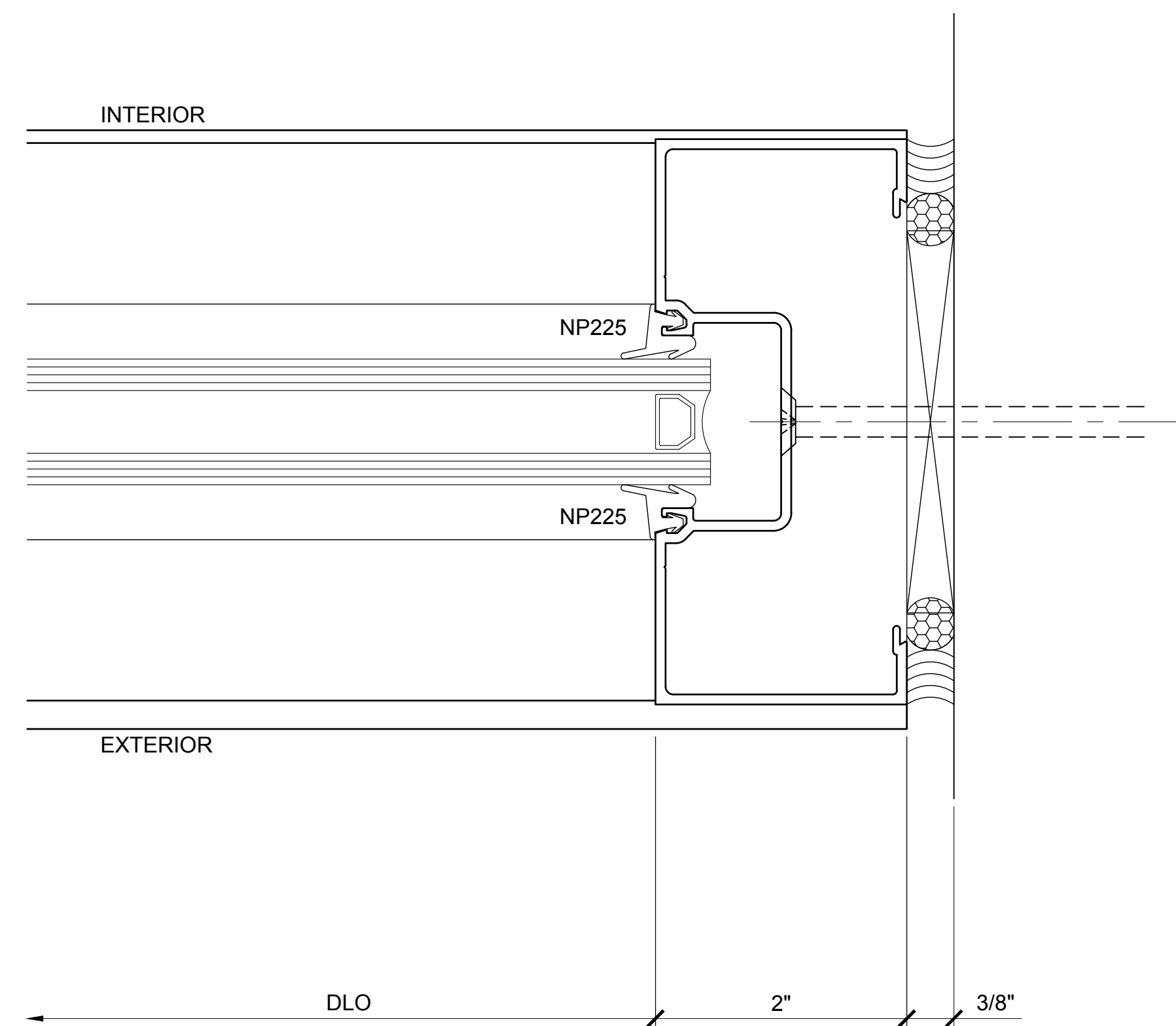
1.01

Revisions By:



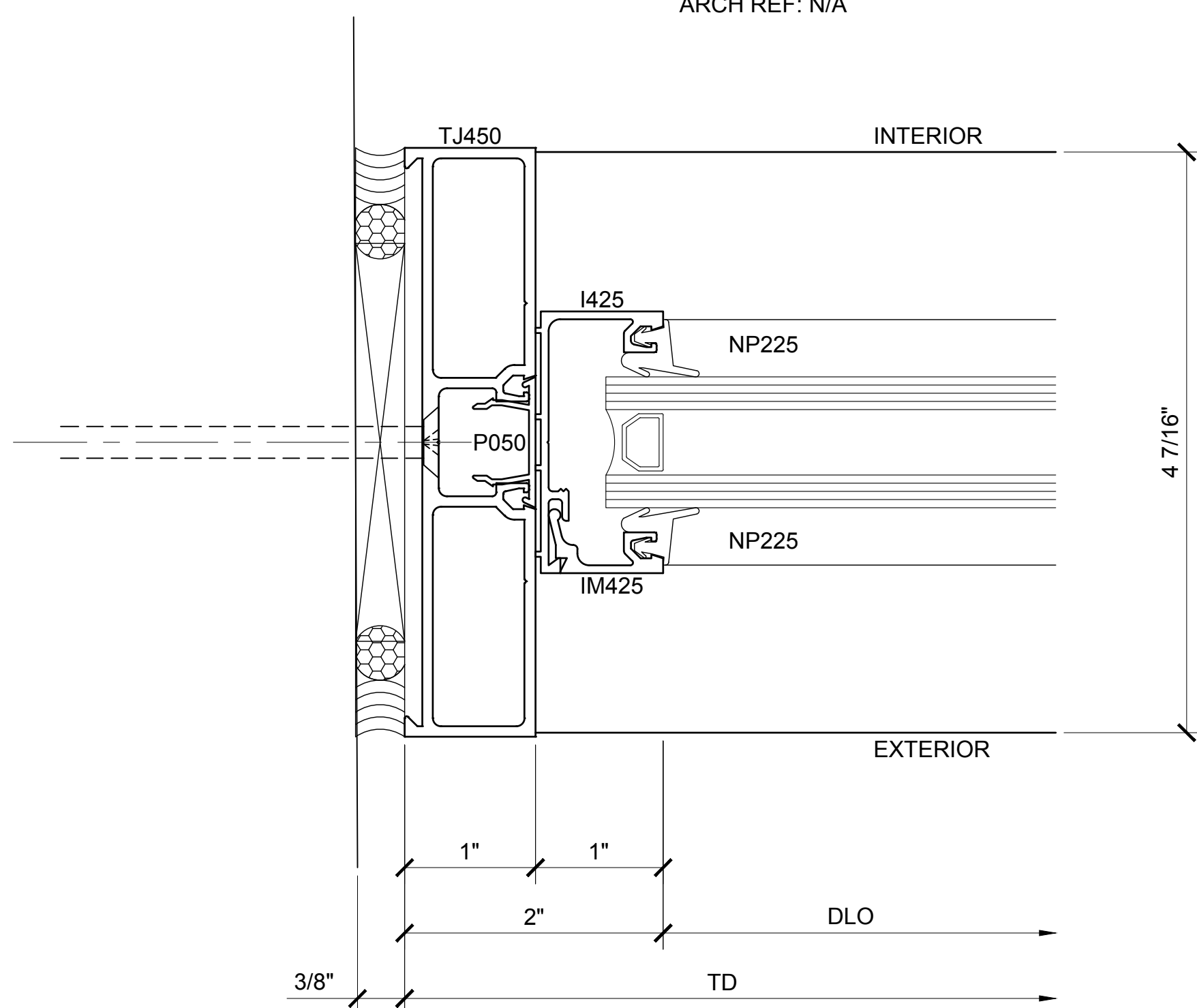
4A DOOR PIVOT JAMB SIDELITE DETAIL

ARCH REF: N/A 1'-0"=1'-0"



3A JAMB DETAIL

ARCH REF: N/A 1'-0"=1'-0"



5 TRANSOM DETAIL

ARCH REF: N/A 1'-0"=1'-0"

BALANCER SERIES ALUMINUM RAIL & STILE BALANCED DOORS DETAILS / 4-1/2" JAMB / EXPOSED SHAFT

Description:

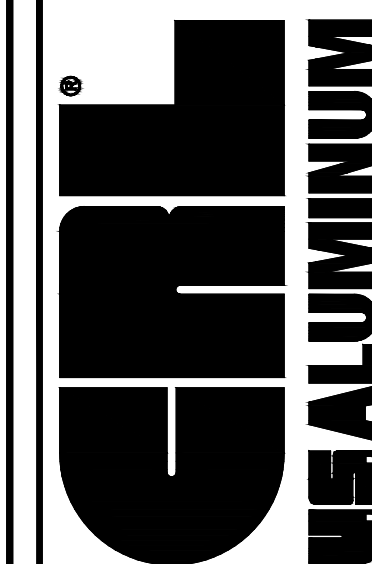
CRL BALANCER SERIES  
BALANCED DOOR  
U.S. ALUMINUM RAIL & STILE

Drawn By: TG  
Date: 01/15/16  
Scale: AS NOTED  
File Name: PS BD - U.S. ALUM RAIL & STILE.dwg

Sheet

1.02

Revisions By:



C.R. LAURENCE CO. ARCHITECTURAL PRODUCTS  
2503 E. Vernon Avenue, Los Angeles, CA 90058-1897  
PH: (800)-421-6144 FX: 800-587-7301 www.crlaurence.com

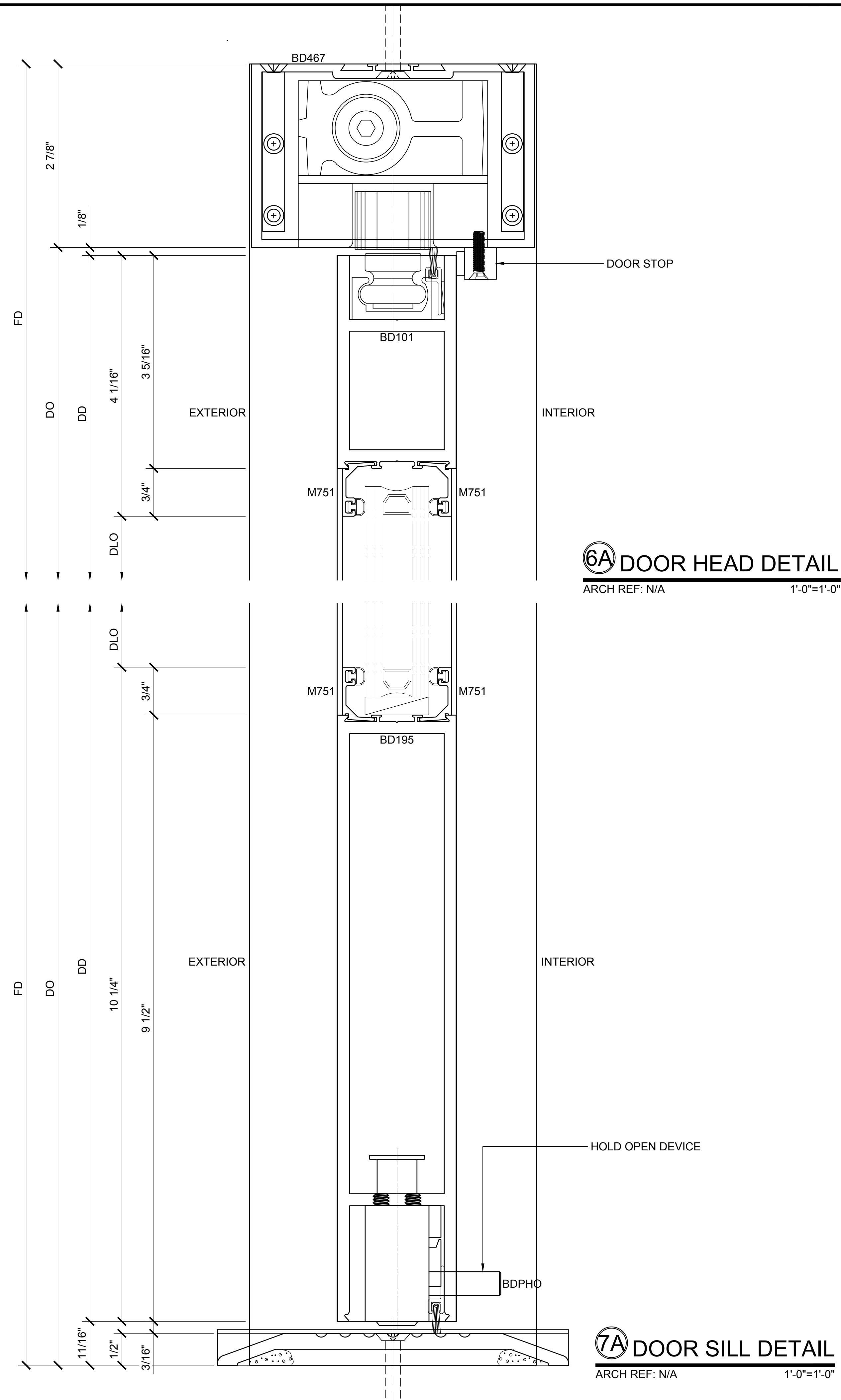
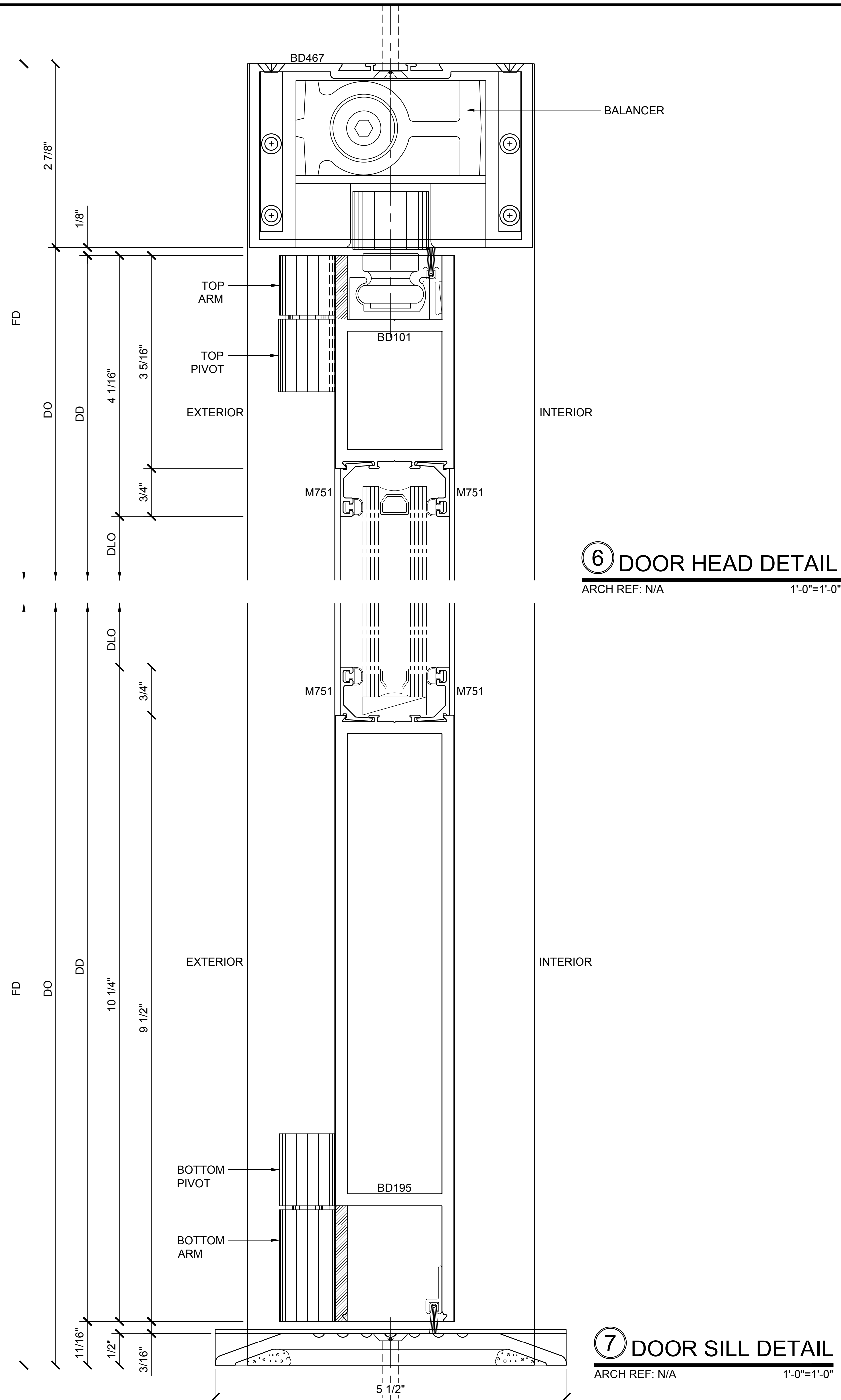
Description:

CRL BALANCER SERIES  
BALANCED DOOR  
U.S. ALUMINUM RAIL & STILE

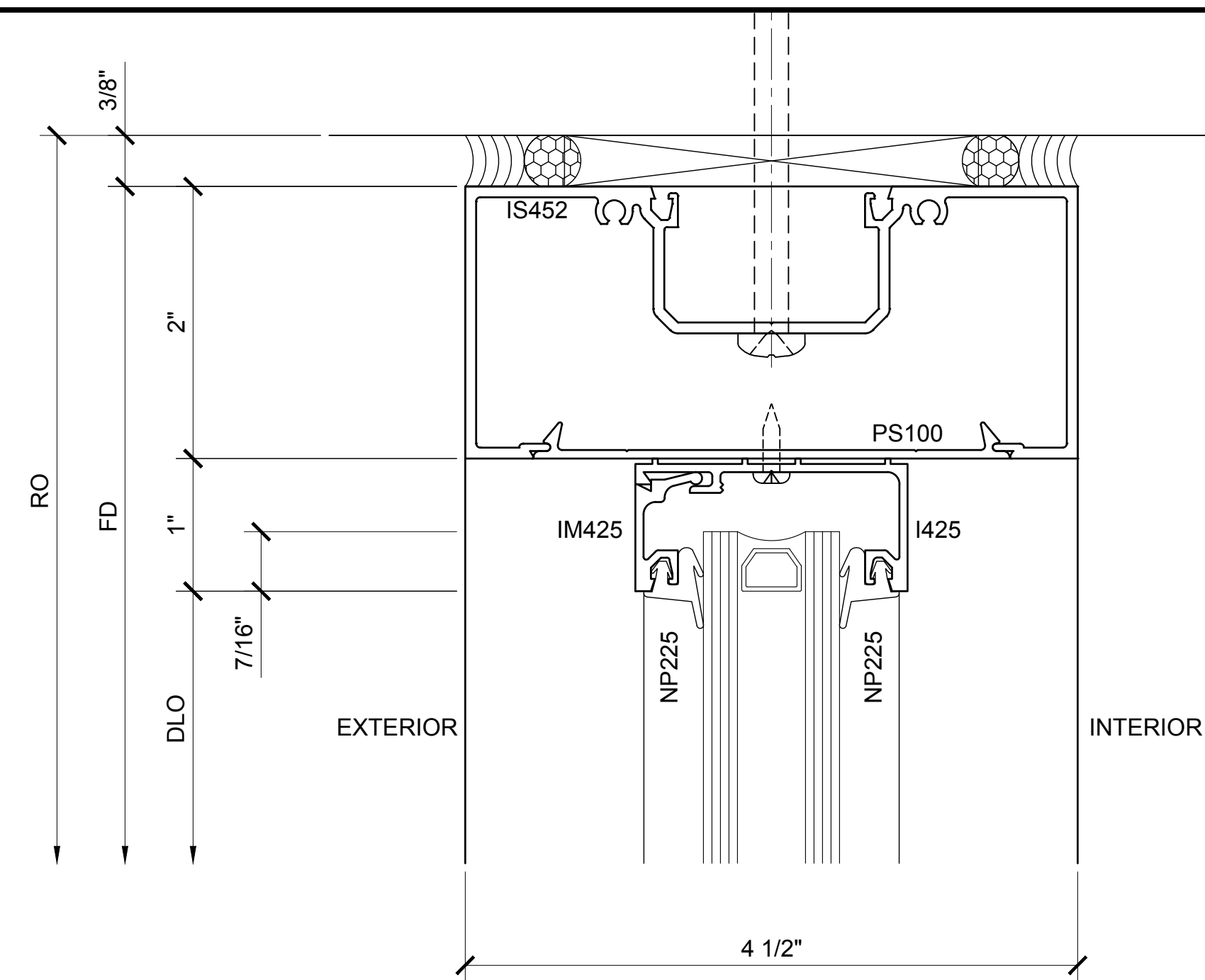
Drawn By: TG  
Date: 01/15/16  
Scale: AS NOTED  
File Name: PS BD - U.S. ALUM RAIL & STILE.dwg

Sheet

1.03

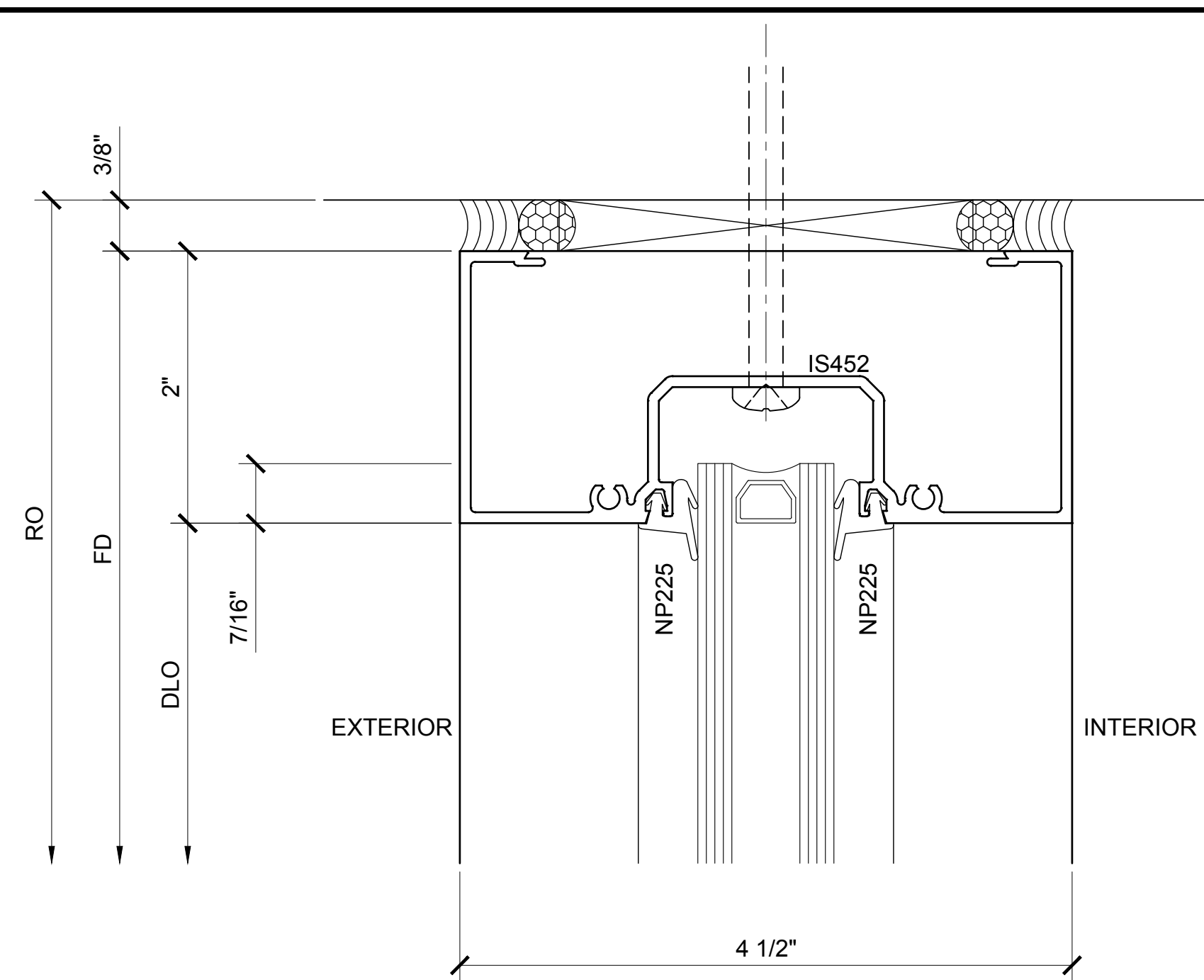


**BALANCER SERIES ALUMINUM RAIL & STILE BALANCED DOORS DETAILS / 4-1/2" JAMB / EXPOSED SHAFT**



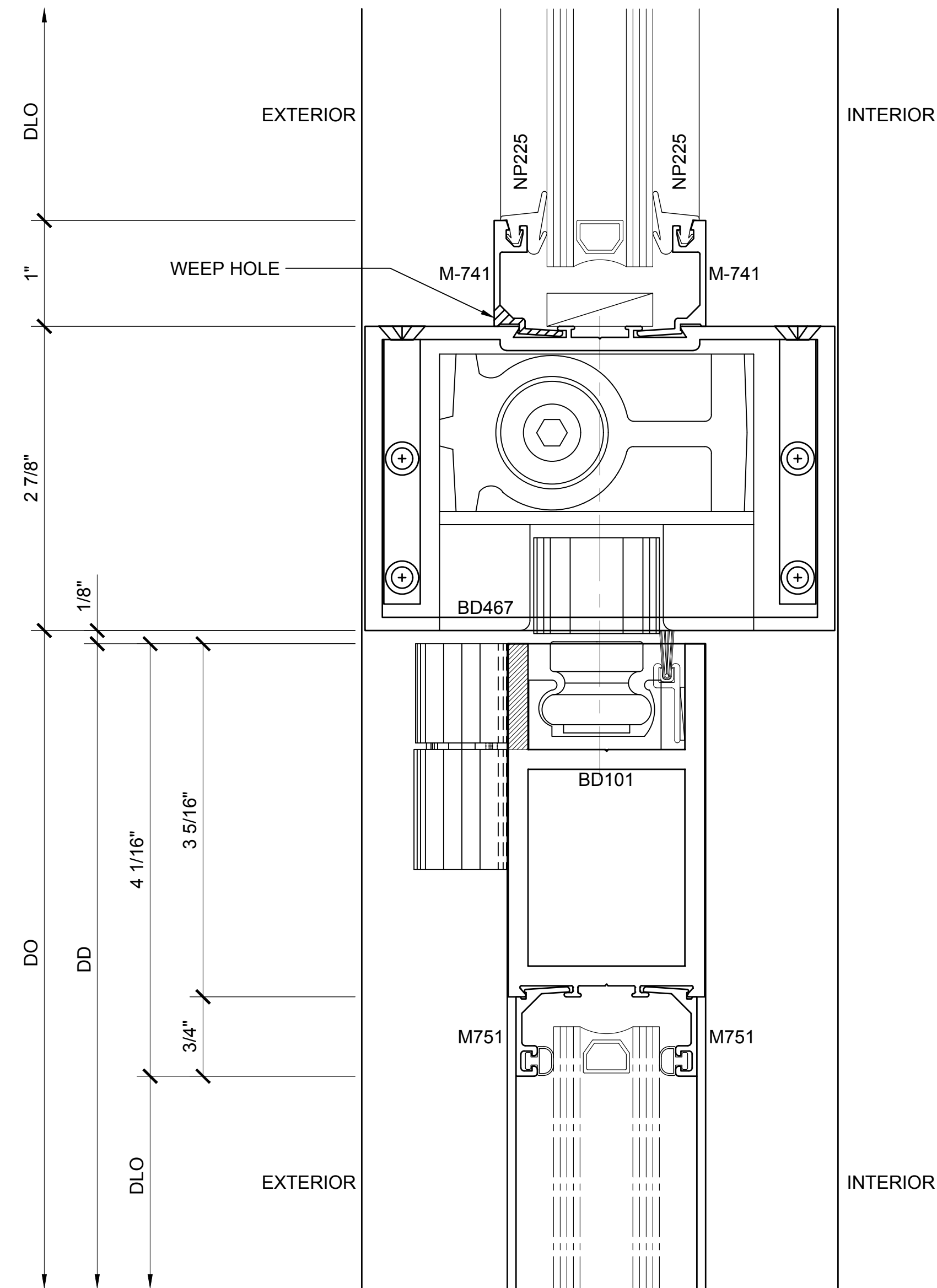
**⑧ HEAD DETAIL**

ARCH REF: N/A 1'-0"=1'-0"



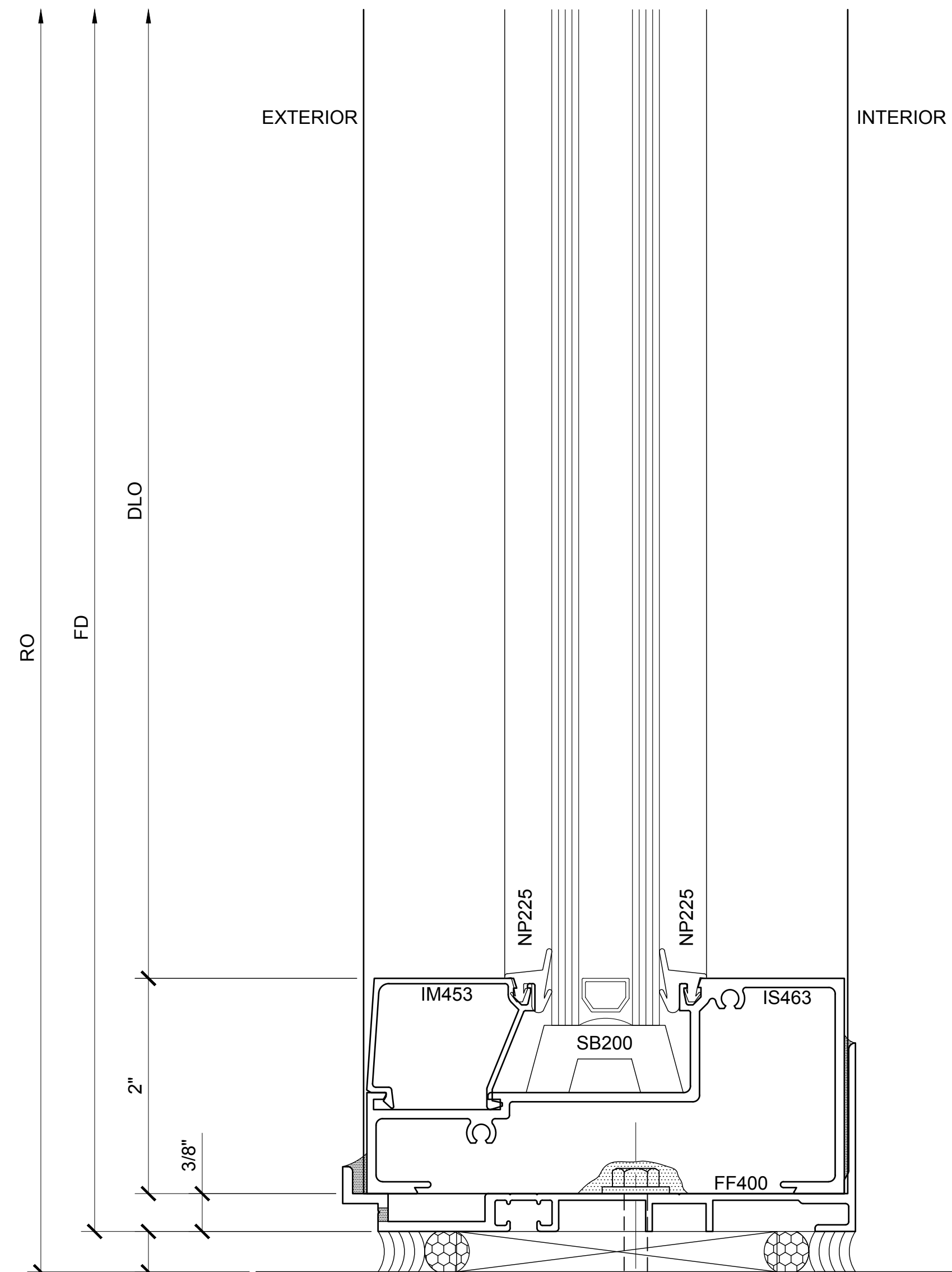
**⑩ HEAD DETAIL**

ARCH REF: N/A 1'-0"=1'-0"



**⑨ DOOR HEAD DETAIL AT TRANSOM**

ARCH REF: N/A 1'-0"=1'-0"



**⑪ SILL DETAIL AT SIDELITE**

ARCH REF: N/A 1'-0"=1'-0"

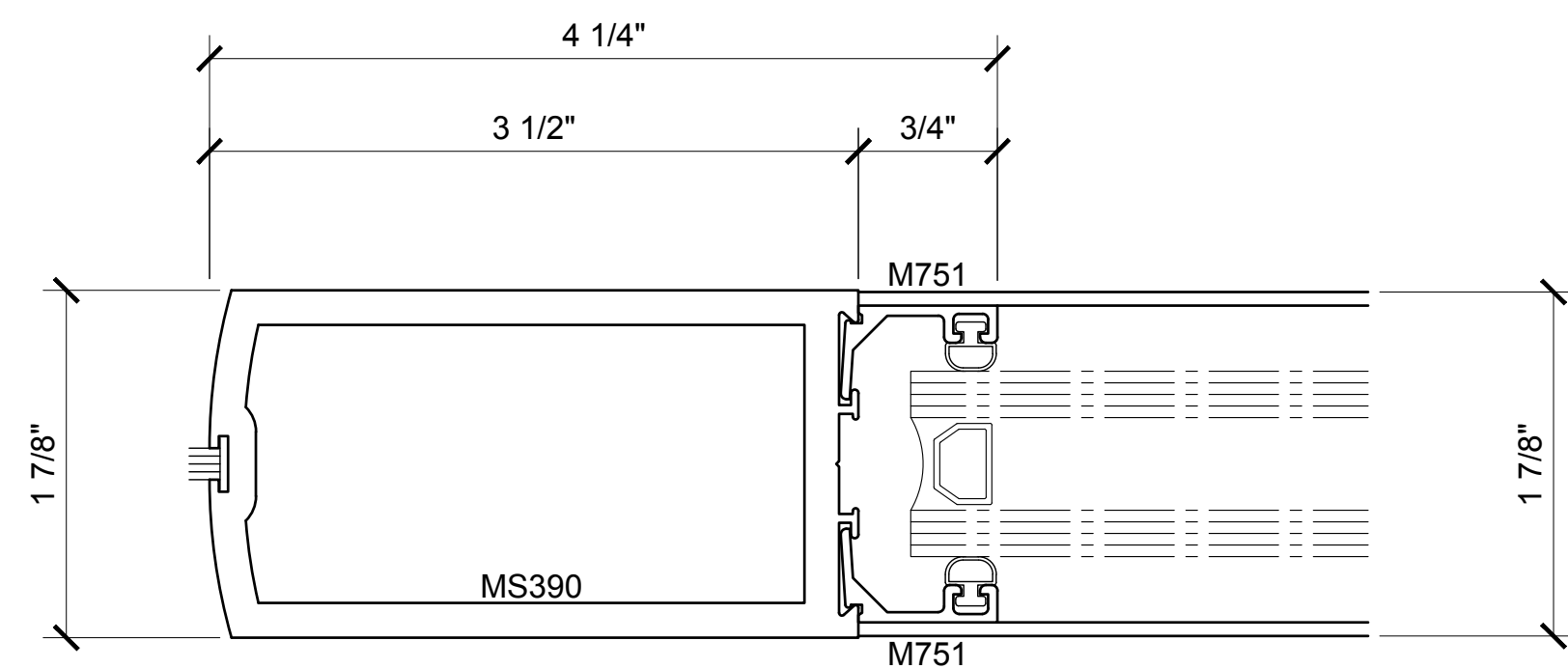
Revisions By:



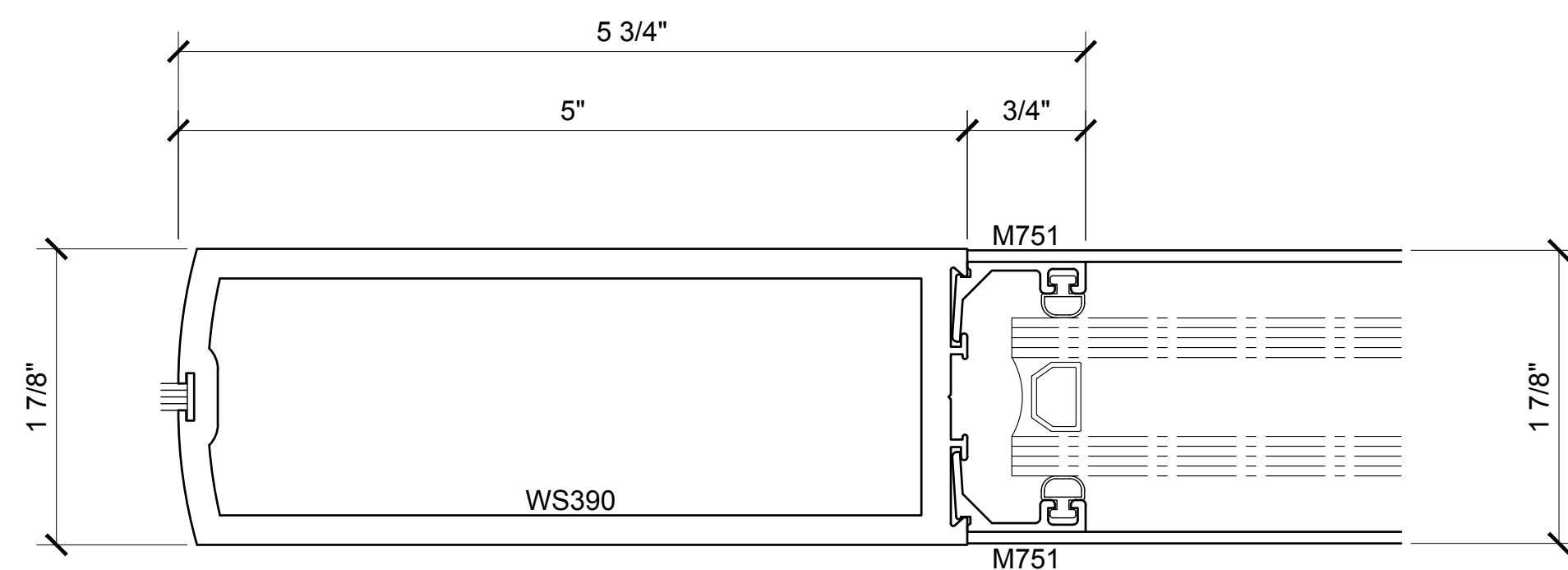
Description:  
 CRL BALANCER SERIES  
 BALANCED DOOR  
 U.S. ALUMINUM RAIL & STILE

Drawn By: TG  
 Date: 01/15/16  
 Scale: AS NOTED  
 File Name: PS BD - U.S. ALUM RAIL & STILE.dwg  
 Sheet

**BALANCER SERIES ALUMINUM RAIL & STILE BALANCED DOORS DETAILS / 4-1/2" JAMB / EXPOSED SHAFT**

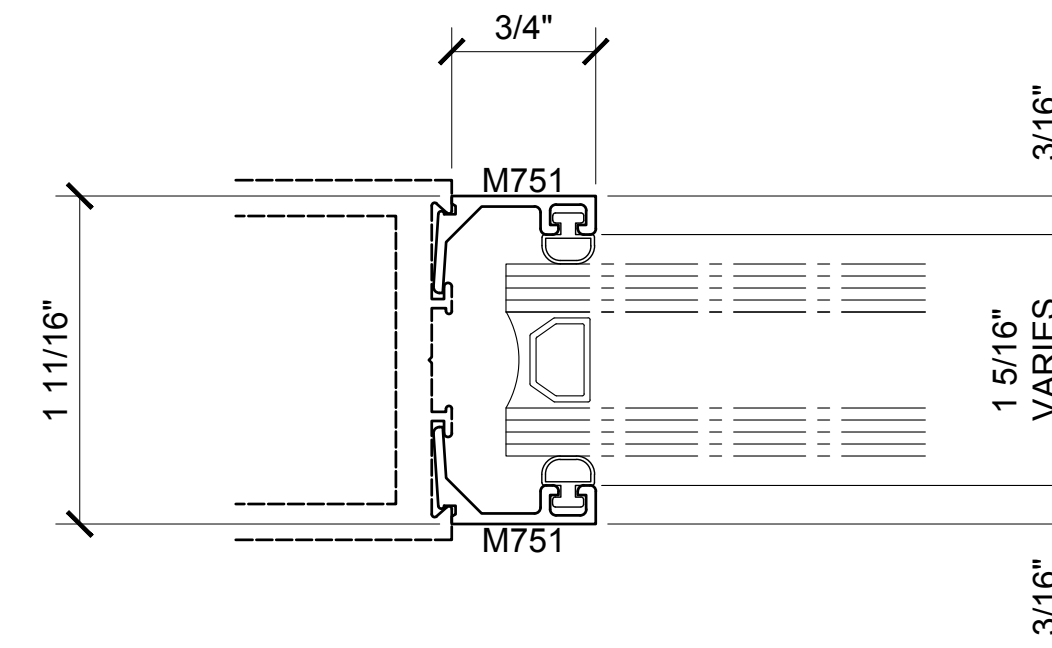


MEDIUM STILE

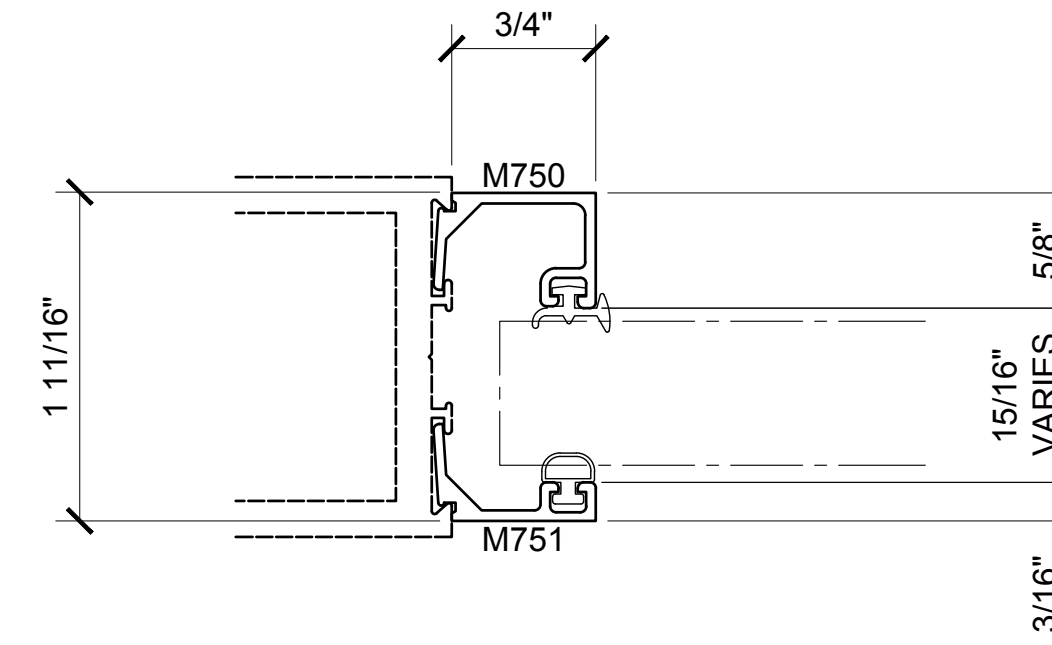


WIDE STILE

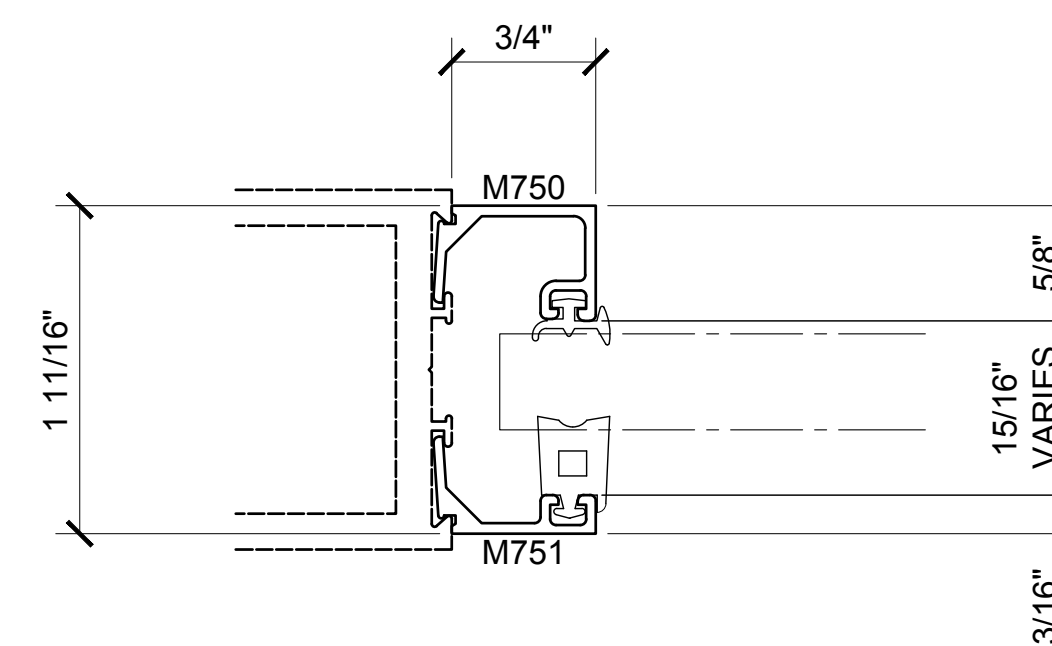
STANDARD STILES (SHOWN WITH GLASS STOPS FOR 1" GLASS)



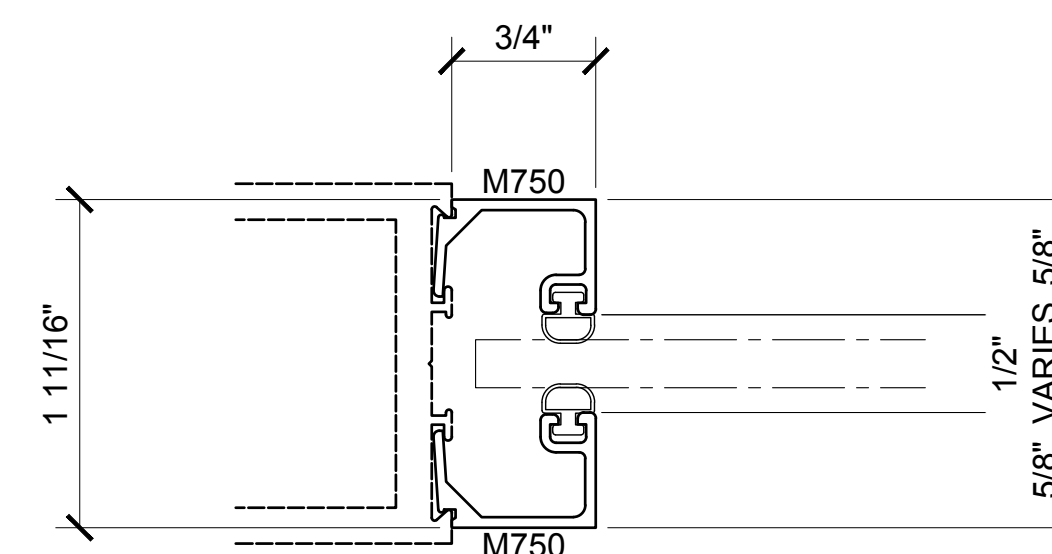
GLASS STOPS FOR 1" GLASS



GLASS STOPS FOR 3/4" GLASS



GLASS STOPS FOR 1/2" GLASS



GLASS STOPS FOR 1/4" GLASS

GLASS STOP OPTIONS

STANDARD STILES & GLASS STOP OPTIONS FOR 1", 3/4", 1/2", 1/4", THICK GLASS

Revisions By:

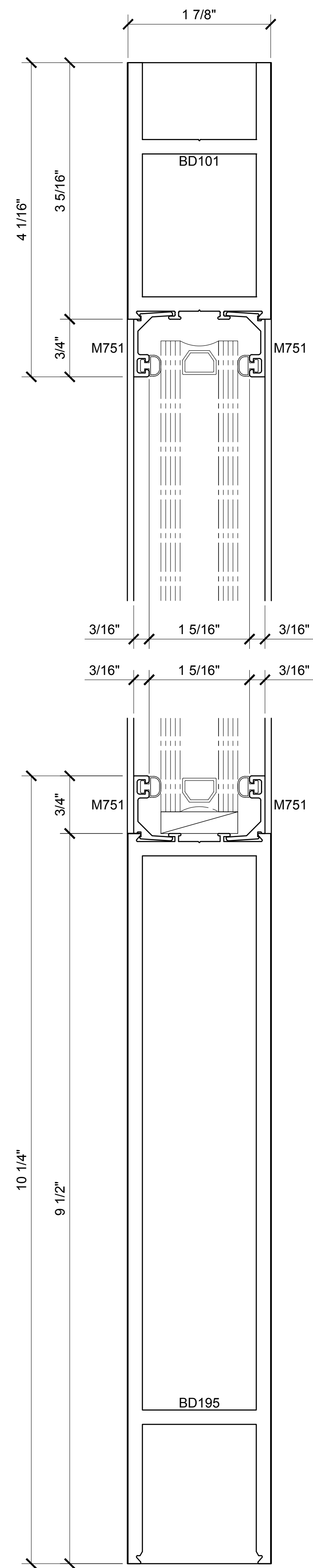


Description:  
CRL BALANCER SERIES  
BALANCED DOOR  
U.S. ALUMINUM RAIL & STILE

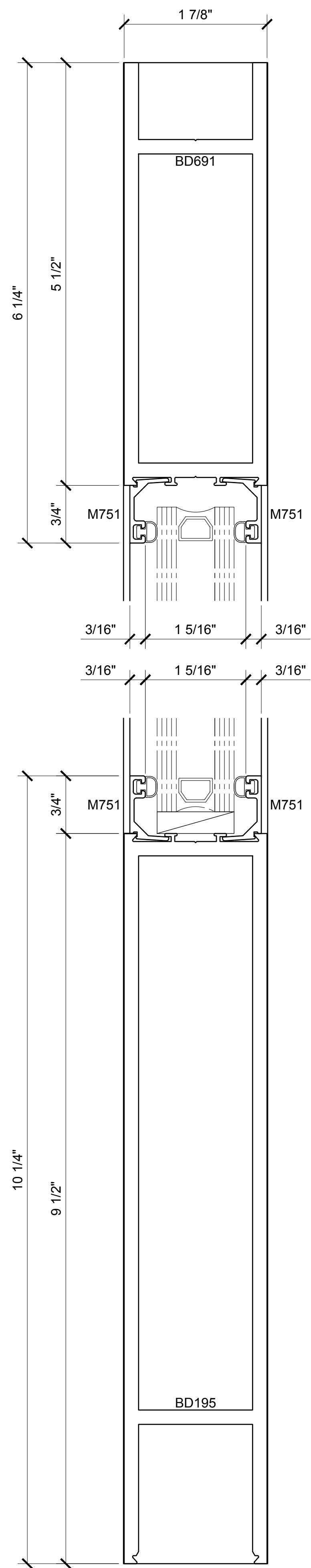
Drawn By: TG  
Date: 01/15/16  
Scale: AS NOTED  
File Name: PS BD - U.S. ALUM RAIL & STILE.dwg

Sheet

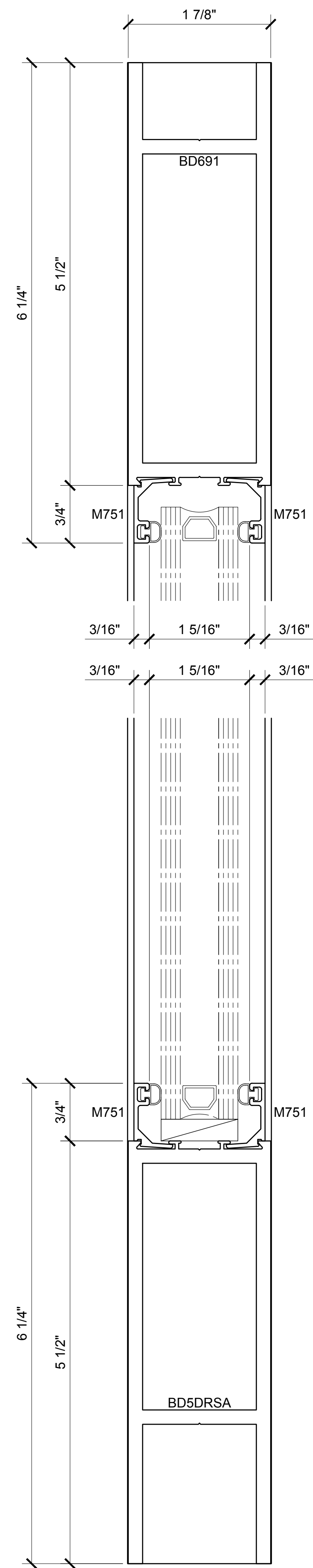
1.05



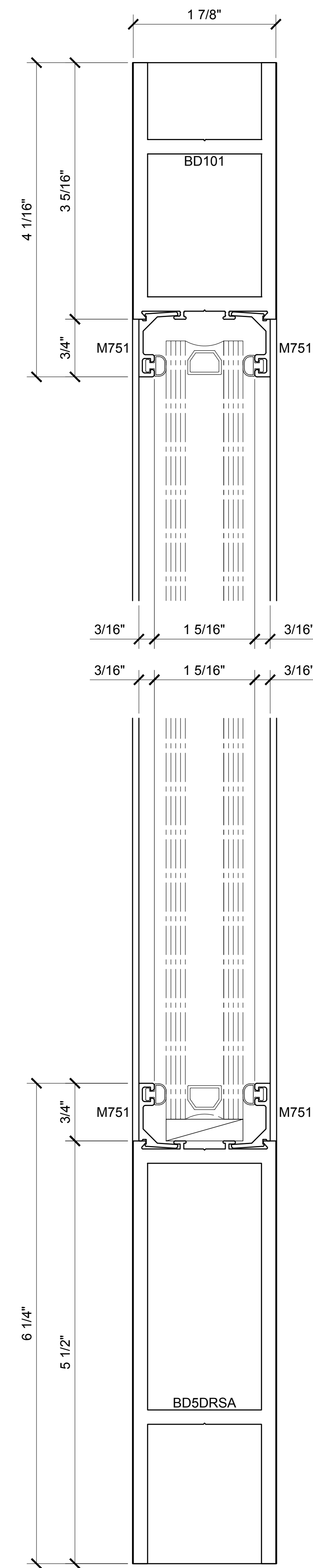
**OPTION 1**



**OPTION 2**



**OPTION 3**



**OPTION 4**

**STANDARD RAILS (SHOWN WITH GLASS STOPS FOR 1" THICK GLASS)**

Revisions By:



Description:  
**CRL BALANCER SERIES  
 BALANCED DOOR  
 U.S. ALUMINUM RAIL & STILE**

Drawn By: TG  
 Date: 01/15/16  
 Scale: AS NOTED  
 File Name: PS BD - U.S. ALUM RAIL & STILE.dwg  
 Sheet