

ENTRANCE SYSTEM

ENTICE® SERIES

U.S. Patent No. 9,074,413

ULTRA NARROW THERMAL ENTRANCE SYSTEM



- For Use With 1" (25 mm) Insulating Glazing
- Meets ASHRAE 90.1 Air Infiltration and Energy Code Requirements
- Meets the Requirements of AAMA SFM-1-14
- California Title 24 Compliant
- 1-1/8" (29 mm) Ultra Narrow Vertical Stiles and Mullions With a System Depth of Only 2-1/2" (64 mm)
- U-Factors as Low as 0.33
- Thermally Broken Cladding in a Variety of Premium Finishes
- Patented Seal-Loc Mechanically Clamping Seals Provide Ease of Fabrication and Glass Replacement
- Proven CORNER-LOC® Technology
- Optional High Performance Reduced Sound Transmission Door Seal Kits
- Optional Integrated LED Lighting System
- Optional Clear Fin for taller spans
- Complete Entrance System Including Corners, Thresholds, Wall and Doorway Jambes, Vertical Mullions, and Fixed Lite Rails



Entice® is the only storefront solution that delivers the aesthetically pleasing qualities of a monolithic frameless glass entrance, plus satisfies new energy code requirements and ASHRAE 90.1 air infiltration criteria. The first premium storefront of its kind, the **Entice® Series** retains the elegant appearance of heavy glass storefronts with minimal vertical lines, and features the unique ability to support door handle hardware on 1" insulating glass panels that accommodate all high solar and thermal efficient glass options, including low-e coatings and tints.

The **Entice® Series** is clad with finely finished materials of your choice, and does not have break lines where common doors would have removable stops. The system also features proven CRL-U.S. Aluminum **CORNER-LOC®** Technology, the strongest corner construction in the industry.

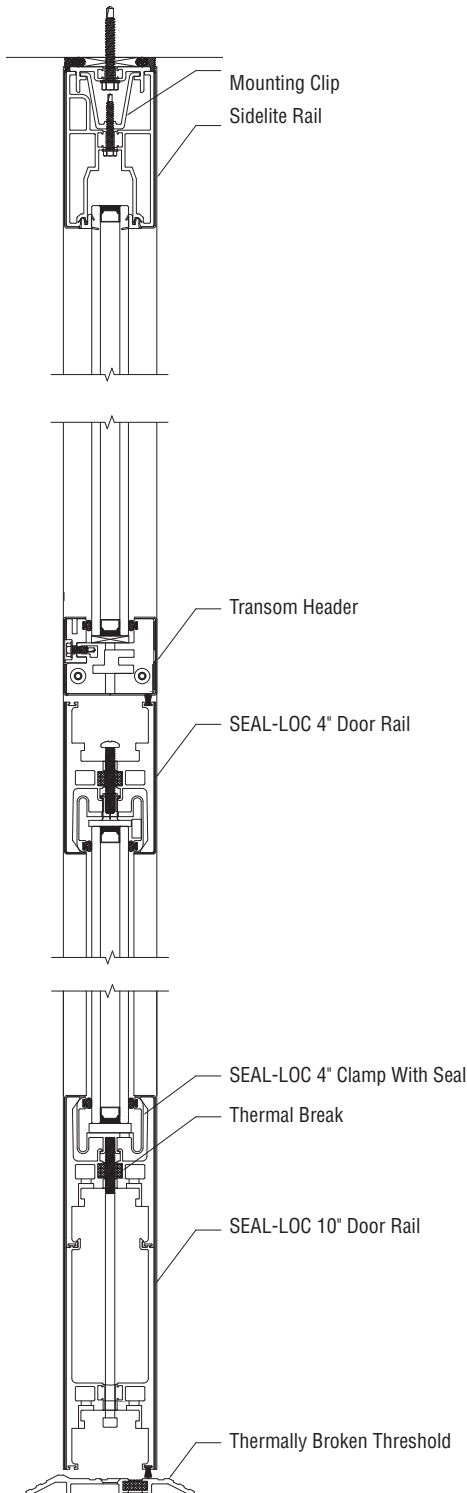


ENTICE® SERIES ENTRANCE SYSTEM TYPICAL DETAILS

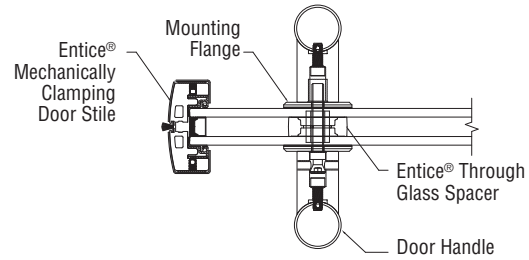


**For 1" (25 mm)
Insulating Glazing**

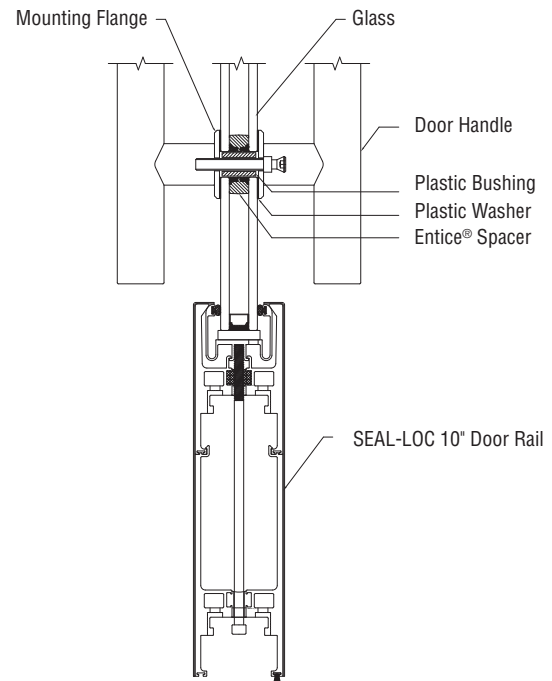
For Specifications, Details,
and Testing Data go to
usalum.com.



Section Through Door With Transom



Section Through Door Stile and Handle



Section Through Door Rail and Handle

NOT TO SCALE

AVDB4188_11/17