

1 2' x 8' PANEL ASSEMBLY ISOMETRIC TYPICAL  
SCALE: NTS

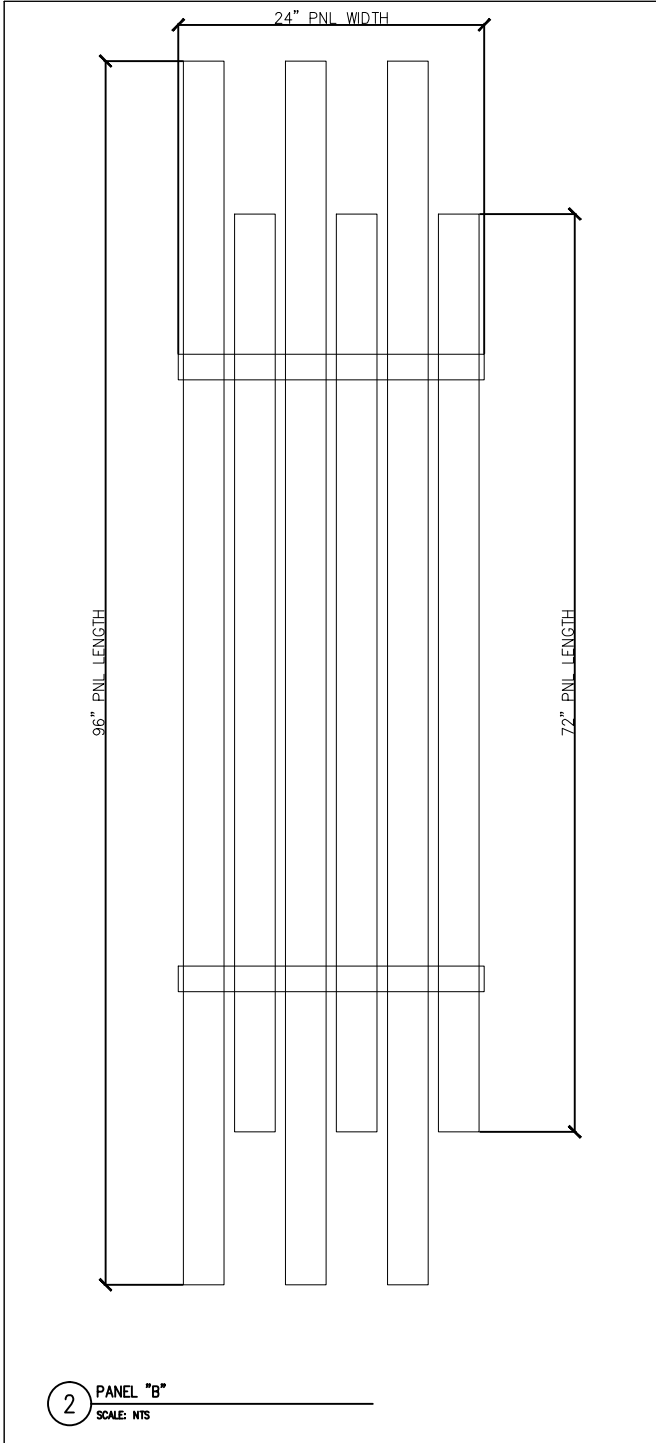
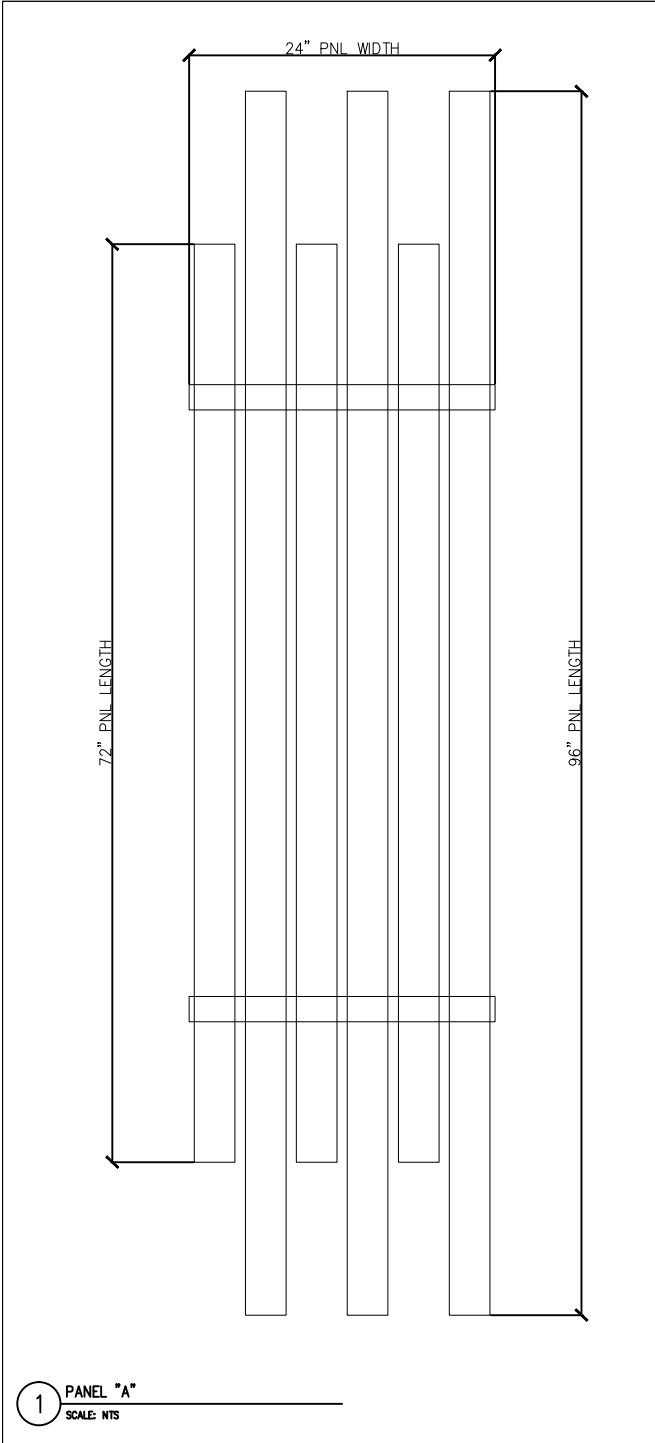
2 PANEL END CAP IF REQUIRED (FACTORY INSTALLED)  
SCALE: 6" = 1'-0"

"LINEA" ASSEMBLED PANEL 2' X 8'

LOCATION \_\_\_\_\_  
 LOCATION \_\_\_\_\_  
 REVISIONS: REV \_\_\_\_\_  
 \_\_\_\_\_



**SYSTEM**  
 PROJECT NO: \_\_\_\_\_  
 CUSTOMER: \_\_\_\_\_  
 DETAIL NO: \_\_\_\_\_  
 DRAWN BY: \_\_\_\_\_  
 DATE: \_\_\_\_\_



LOCATION \_\_\_\_\_  
LOCATION \_\_\_\_\_

REVISIONS: REV \_\_\_\_\_  
\_\_\_\_\_

**SYSTEM**

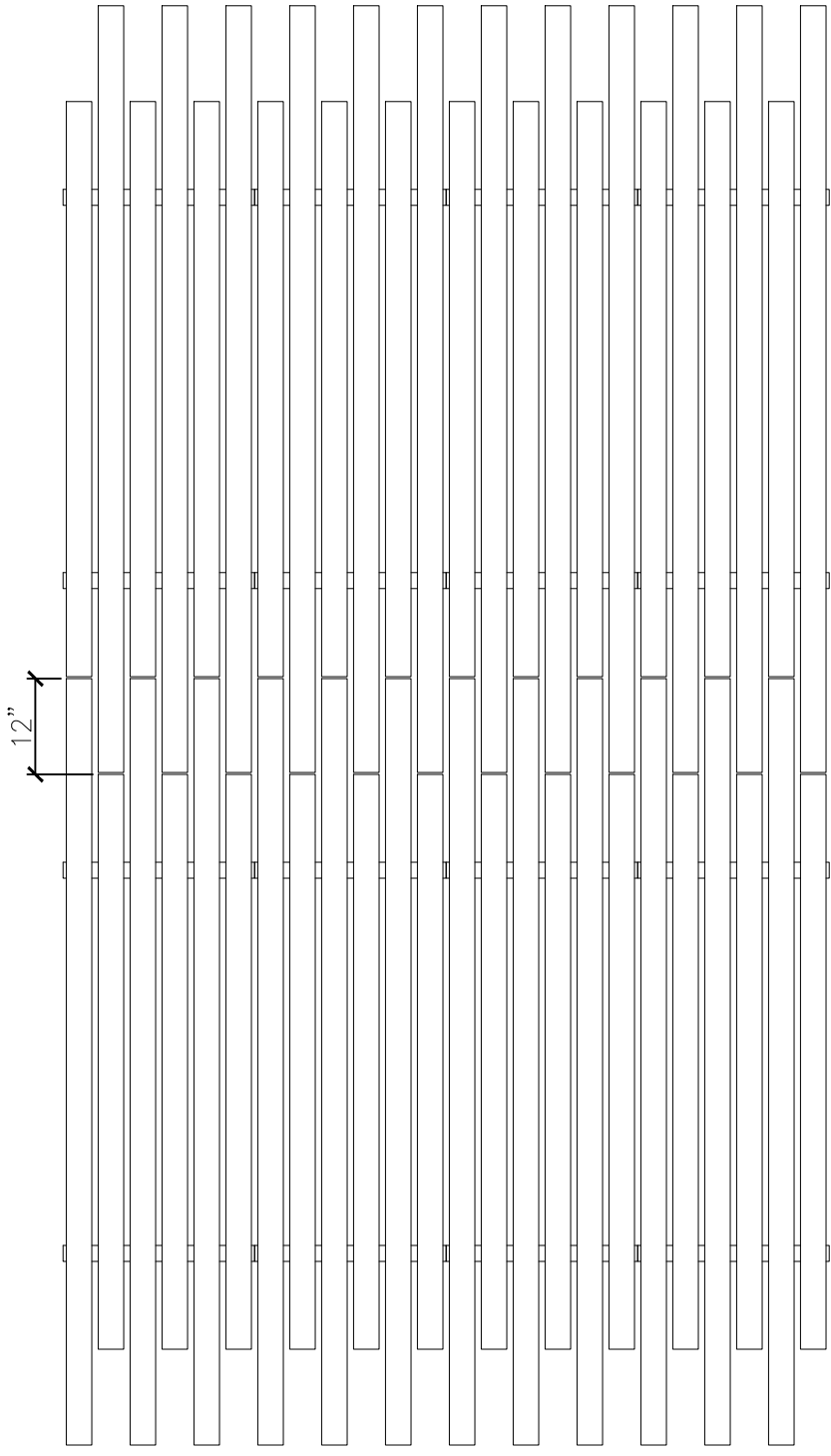
PROJECT NO: \_\_\_\_\_

CUSTOMER: \_\_\_\_\_

DETAIL NO: \_\_\_\_\_

DRAWN BY: \_\_\_\_\_

DATE: \_\_\_\_\_



3

12" STAGGERED END JOINT RCP VIEW

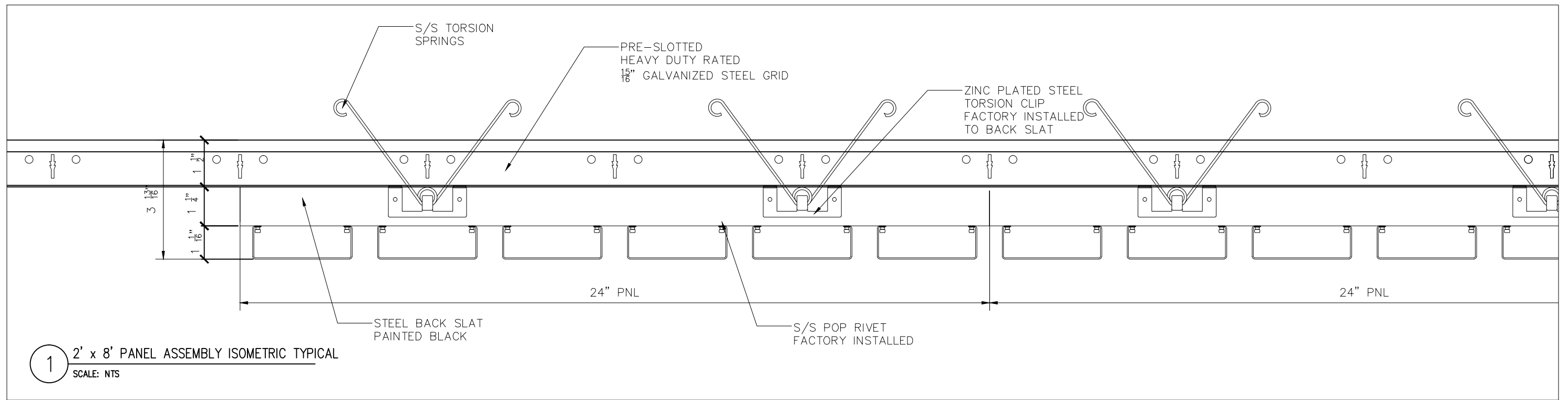
SCALE: 1/2"=1'



\_\_\_\_\_  
**LOCATION**  
 \_\_\_\_\_  
**LOCATION**  
 \_\_\_\_\_  
 REVISIONS: REV \_\_\_\_\_  
 \_\_\_\_\_

**SYSTEM**

PROJECT NO: \_\_\_\_\_  
 CUSTOMER: \_\_\_\_\_  
 DETAIL NO: \_\_\_\_\_  
 DRAWN BY: \_\_\_\_\_  
 DATE: \_\_\_\_\_



\_\_\_\_\_  
**LOCATION**  
 \_\_\_\_\_  
**LOCATION**  
 \_\_\_\_\_  
 REVISIONS: REV \_\_\_\_\_  
 \_\_\_\_\_

**SYSTEM**  
 PROJECT NO: \_\_\_\_\_  
 CUSTOMER: \_\_\_\_\_  
 DETAIL NO: \_\_\_\_\_  
 DRAWN BY: \_\_\_\_\_  
 DATE: \_\_\_\_\_