

VL-03 & VL-03H Very Low Profile Clip Set

INDUSTRY FIT:



SPECIFICATIONS:

VERY LOW PROFILE VL RANGE

The VL-03 and VL-03H are ideal for mounting ceiling and wall panels in areas with minimal frame and panel thickness. The VL-03 and VL-03H clip sets use the patented SuperGroove® system to mechanically engage into adhesive. Screw or adhesive combinations can be used.

BENEFITS

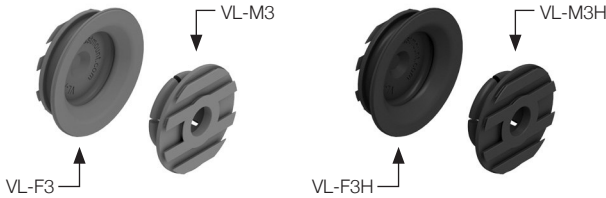
- Self-aligning secure mounting
- Installation requires no special tools or skilled labour
- Uses a range of adhesives to suit the customer
- Fast installation
- 5kg or 10kg pull out load
- Clip lead in for easy fitting
- Can be screw fixed with lateral adjustment, or glue fixed

APPLICATIONS

- Areas with minimal clearance
- Inspection panels
- Soft or honeycomb cored panels with thin facings
- Mounting panels where no drilling is preferred

VL-03 5kg

VL-03H 10kg



MATERIAL:

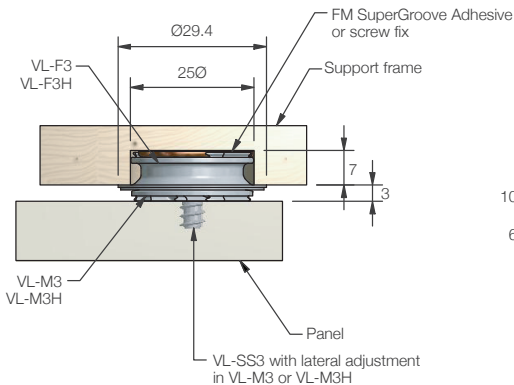
Grey or black acetal / nylon GF

MORE INFO:

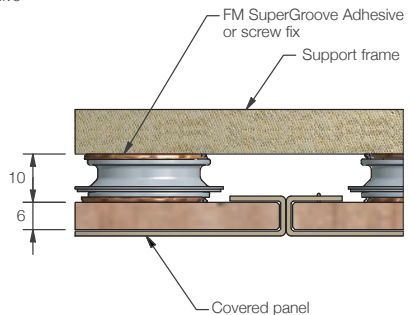
Installation Guide IG VL-03
Clip Layout Guide TD-02, 08, 09

INSTALLATION: Partially exploded through section showing typical installation method

Through section showing recessed installation



Through section showing surface mounted adhesive installation



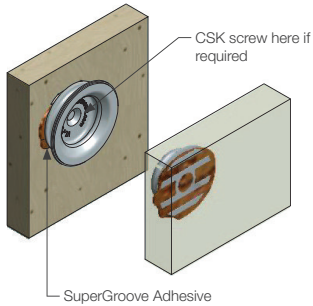
The Fastmount® multi-award winning system has revolutionized the mounting of panels. Panels can easily be removed and refitted in any sequence time after time. For further information or technical support contact: info@fastmount.com

VL-03, VL-03H & VL-03 FR Very Low Profile Clip Set

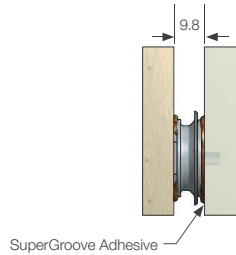


INSTALLATION STEPS

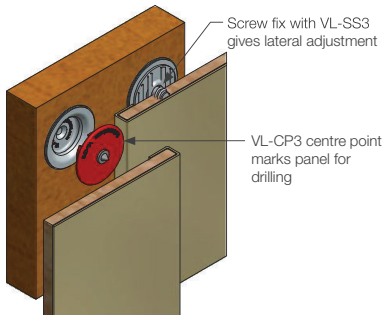
- 1** Exploded view of typical installation (adhesive fix)



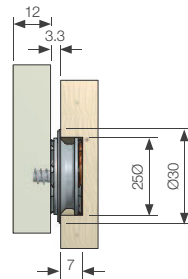
- 2** Section through installed clip



- 3** Exploded view showing centre point marker, install option



- 4** Section through recessed installation



MORE INFO: Clip Layout Guide TD-02 Product sheet VL-03