

**PS-150** PanelSafe - Self Tapping Male

INDUSTRY FIT:

**SPECIFICATIONS:**

**PANELSAFE PS RANGE**

PanelSafe restraint systems provide added security and control. The panel is suspended below the ceiling for convenient servicing behind the panel or controlled removal of the panel by releasing the wire. For use with Fastmount clips and installation tools.

Standard 150mm drop, custom lengths available on request

**PS-150**



**USE WITH:**  
**PC** Standard Range  
**LP** Low Profile Range  
**VL** Very Low Profile Range  
**MC** Metal Range

**MATERIAL:**  
 Aluminium and stainless steel

**MORE INFO:**  
 Installation Guide PS-150  
 Clip Layout Guide PS-150 P60

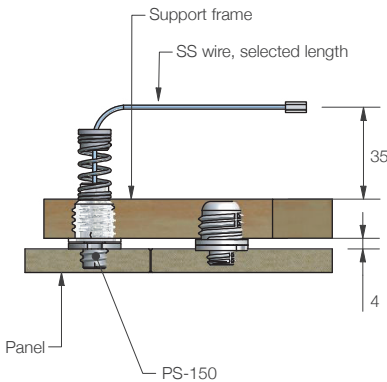
**BENEFITS**

- Provides extra security for heavy panels
- Easy one-person removal of large panels
- Convenient servicing behind panel without full removal
- Prevents panels falling during fire exit
- Works with existing Fastmount clips
- Variable length to suit application
- Self tapping option available

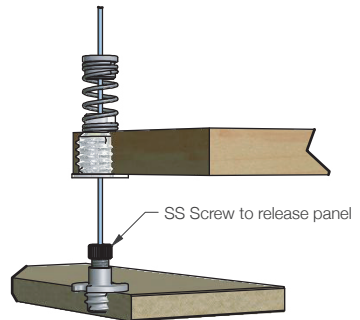
**APPLICATIONS**

- Heavy panels
- Large panels
- Thin walled panels requiring adhesive mounting
- Inspection and service panels
- Panels above valuable furniture and artwork

**INSTALLATION:** Partially exploded through section showing typical installation method



Cut away view, panel open



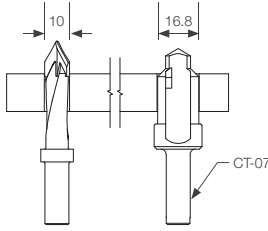
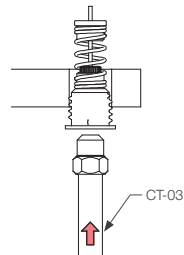
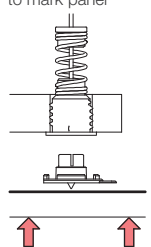
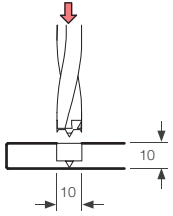
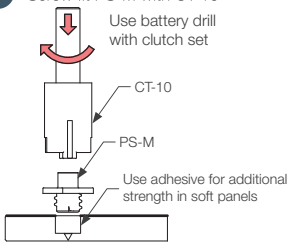
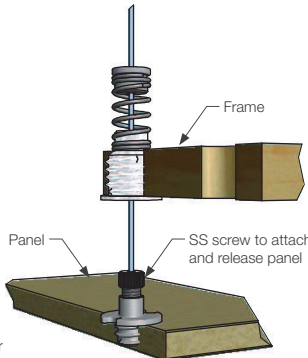
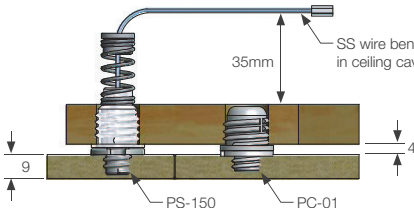
The Fastmount® multi-award winning system has revolutionized the mounting of panels. Panels can easily be removed and refitted in any sequence time after time. For further information or technical support contact: [info@fastmount.com](mailto:info@fastmount.com)

# PS-150 PanelSafe Restraint System

(page 1 of 2)



<p><b>PS-150</b></p> 	<p><b>USE WITH:</b></p> <p><b>PC</b> Standard Range <b>LP</b> Low Profile Range <b>VL</b> Very Low Profile Range <b>MC</b> Metal Range</p>	<p><b>INSTALL WITH:</b></p> <p>CP-01ST CT-01 CT-09 CT-07 CT-03 CT-10</p> 
--	--	--

## INSTALLATION STEPS Page 1

<p><b>1</b> Drill hole through panel and frame</p> 	<p><b>2</b> Screw PanelSafe in 16.8Ø hole</p> 	<p><b>3</b> Fit CP-01ST into PanelSafe to mark panel</p> 	
<p><b>4</b> Drill panel on center mark 7.5mm deep</p> 	<p><b>5</b> Screw fit PS-M with CT-10</p> <p>Use battery drill with clutch set</p> 		
<p><b>6</b> Completed installation</p> 			

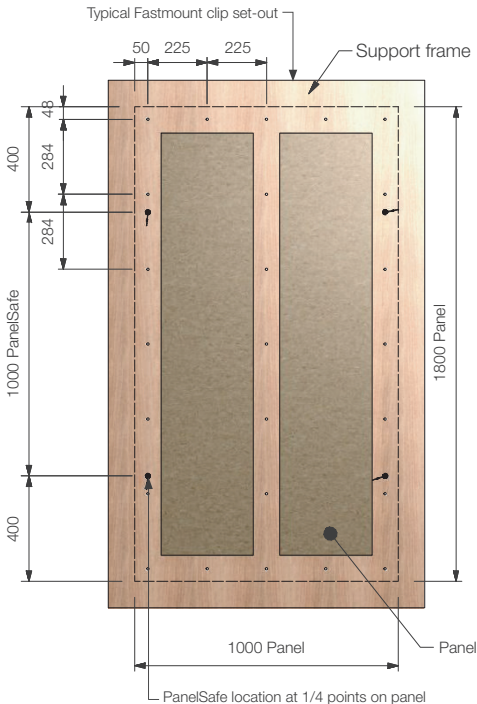
# PS-150 PanelSafe Restraint System

(page 2 of 2)

 <p><b>PS-150</b></p>	<p><b>USE WITH:</b></p> <p><b>PC</b> Standard Range  <b>LP</b> Low Profile Range  <b>VL</b> Very Low Profile Range  <b>MC</b> Metal Range</p>	<p><b>INSTALL WITH:</b></p> <p>CT-03    CT-10</p> 
--	---	---

## INSTALLATION STEPS Page 2

**A** Plan view of panel from above with 4 x PanelSafe  
 Larger or more flexible panels may require extra PanelSafes for correct support. Each PanelSafe has a static load of 150kgs and a drop load of 10kgs.



**B** End view with panel down



**C** End view with panel down

