

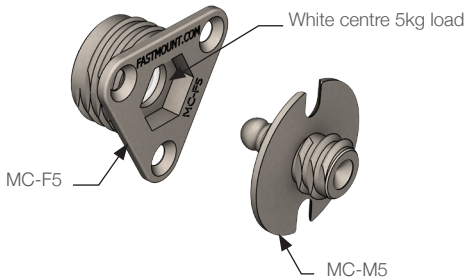
MC-05 Metal Clip Set MC-F5+MC-M5

INDUSTRY FIT: 

SPECIFICATIONS:

METAL MC RANGE

The Fastmount metal clip is designed for demanding applications that require fire protection and heavy load bearing. This versatile metal clip can be used in conjunction with our Standard range clips.



MATERIAL:
EZDA 3 triple plated, SS spring

MORE INFO:
Installation Guide FM IG_MC-05
Clip Layout Guide FM TD-02, 09, 12

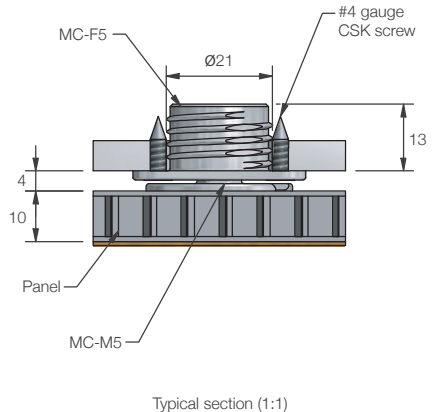
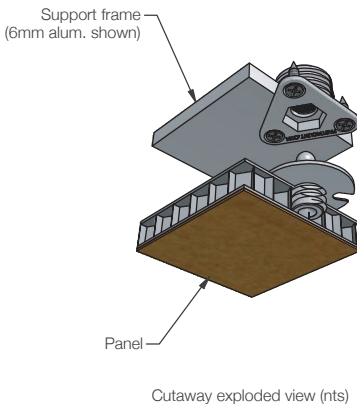
BENEFITS

- Metal clip to withstand high temperatures
- Allows for tolerance and panel flex (self centering)
- Provides acoustic and vibration isolation
- 5kg pull out load
- Self tapping and screw fit mounting options

APPLICATIONS

- Fire rated panels
- Panels in fire egress paths
- Ceiling, wall and exterior panels
- Mounting of curved panels
- Variety of substrates

INSTALLATION: Partially exploded through section showing typical installation method



The Fastmount® multi-award winning system has revolutionized the mounting of panels. Panels can easily be removed and refitted in any sequence time after time. For further information or technical support contact: info@fastmount.com