

PC-RF1 Side Mount Female Screw Fix

INDUSTRY FIT:    

SPECIFICATIONS:

STANDARD PC RANGE

Ideal for applications that require side mounting, such as refit, cabinet construction or securing floor panels. This versatile screw-fixed clip works with all male clips from the Standard range.

PC-RF1

USE WITH:



MATERIAL:
Brown acetal copolymer

MORE INFO:
Installation Guide FM IG_PC-RF1
Clip Layout Guide FM TD-02, 09, 12

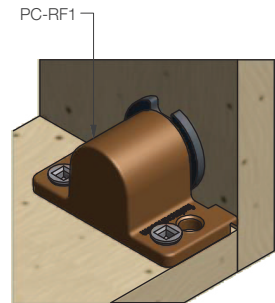
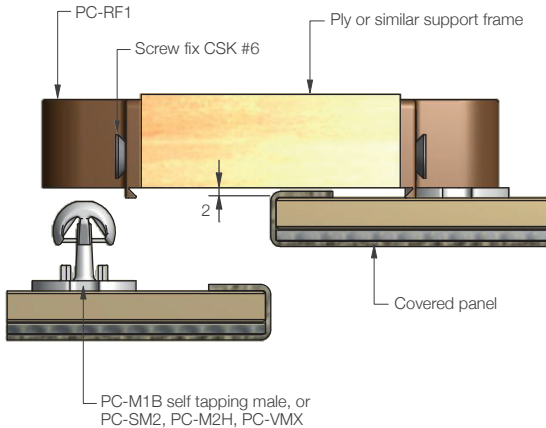
BENEFITS

- Side mounting
- Installation requires no special tools
- Screw fixed to frame
- Several mounting options
- Works with existing Standard range Fastmount clips
- Allows for flexing and expansion of panel and support

APPLICATIONS

- Ceiling, wall and exterior panels
- Cabinet assembly and shelf support
- Refits and upgrades of existing installations
- Variety of substrates
- Floor panels
- Inspection hatches

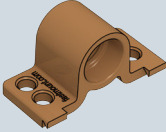




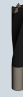




INSTALLATION: Partially exploded through section showing typical installation method



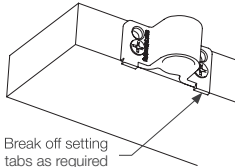
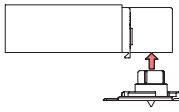
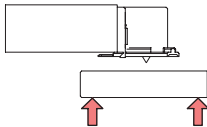
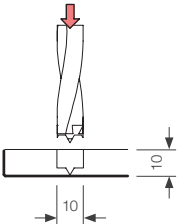
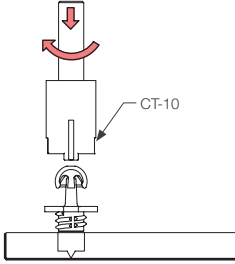
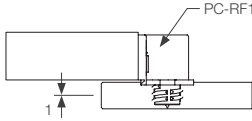
Corner detail at cabinet or shelf

The Fastmount® multi-award winning system has revolutionized the mounting of panels. Panels can easily be removed and refitted in any sequence time after time. For further information or technical support contact: info@fastmount.com

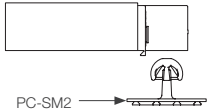
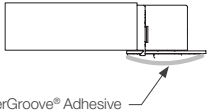
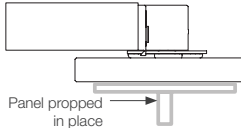
PC-RF1 Side Mount Female

<p>PC-RF1</p> 	<p>USE WITH:</p>				<p>INSTALL WITH:</p>		
	<p>PC-M1B</p> 	<p>PC-VM1</p> 	<p>PC-SM2</p> 			<p>CP-01ST</p> 	<p>CT-09</p> 
	<p>PC-M2H</p> 	<p>PC-VMX</p> 	<p>PC-SM2H</p> 	<p>PC-SM1AC</p> 			

INSTALLATION STEPS

<p>1 Screw fit PC-RF1 to side of frame</p>  <p>Break off setting tabs as required</p>	<p>2 Fit CP-01ST into PC-RF1</p> 	<p>3 Press panel onto CP-01ST to mark</p> 
<p>4 Drill panel on mark with CT-09</p> 	<p>5 Screw fit male clip with CT-10</p> 	<p>6 Panel clipped in place</p> 

OPTION WITH ADHESIVE FIT MALE (COMPLETE STEP ABOVE)

<p>A Clip PC-SM2 into PC-RF1</p> 	<p>B Apply adhesive to PC-SM2</p> 	<p>C Place panel and support while adhesive dries</p> 
---	--	---

MORE INFO: Clip Layout Guide TD-02