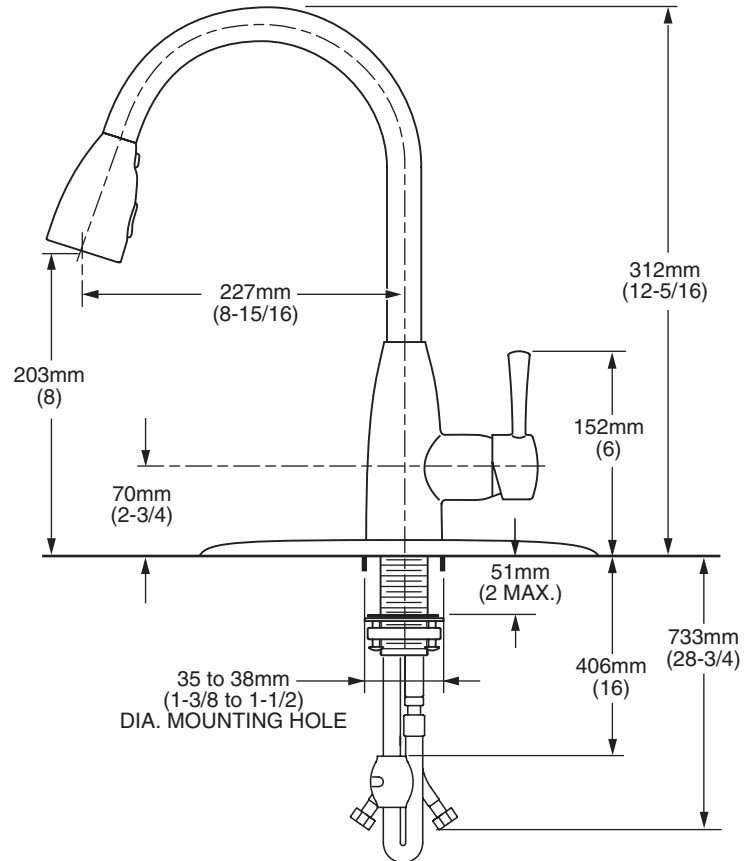


MODEL NUMBER:

- 4005F Pull Down Kitchen Faucet**
Finish (Chrome)
- 4005SSF Pull Down Kitchen Faucet**
Finish (Stainless Steel)



GENERAL DESCRIPTION:

Zinc diecast body with brass swivel spout and metal lever handle. Pull-down spray with adjustable spray pattern and push button activation. Metal reinforced hose. Washerless 40mm ceramic disc valve cartridge. Complete with two integral check valves. Braided flexible supply hoses with 3/8" compression connectors. 2.2 gpm/8.3Lmin. maximum flow rate.

PRODUCT FEATURES:

Ceramic Disc Valve Cartridge: Assures smooth, precise valve control and a lifetime of drip-free, maintenance-free performance.

Brass Construction: Highest quality materials for durability & long life.

Memory Position Valving: Allows user to turn valve on and off at preferred temperature setting without readjusting handle position each time.

Low Lead: Meets NSF Standard 61/Section 9 & Prop 65 lead requirements.

Pull-down Spray: Adjustable spray pattern-stream to spray.

Integral Check Valves: Prevents back flow.

Choice of Finishes: Choice of Polished Chrome or Stainless Steel (PVD).

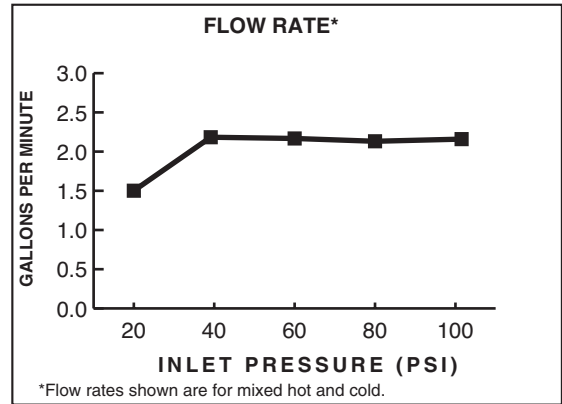
SUGGESTED SPECIFICATION:

Single control kitchen faucet shall feature a zinc diecast body with pull-down spray. Shall also feature washerless ceramic disc valve cartridge, flexible supply hoses and two integral check valves. Fitting shall be American Standard Model # 4005F. _____


CODES AND STANDARDS

These products meet or exceed the following codes and standards:

- ANSI A117.1**
- ASME A112.18.1**
- NSF 61/Section 9**
- CSA B125**



Product Number	Description	Finish Options	
		Polished Chrome	PVD Stainless Steel
		002	075
4005F	Pull-down Kitchen Faucet.	X	
4005SSF	Pull-down Kitchen Faucet.		X

 Meets the American Disabilities Act Guidelines and **ANSI A117.1** Requirements for the physically challenged.